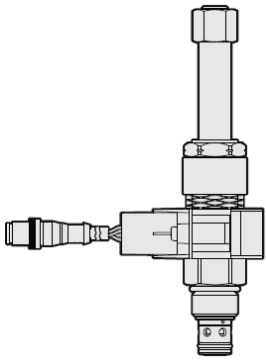




Overview



Description

A solenoid-operated, 2 port, normally open, poppet-type, screw-in hydraulic cartridge valve, designed to function as a load holding or blocking valve in applications requiring low internal leakage. .

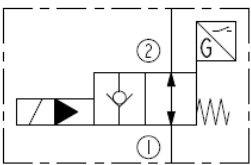
Operation

When de-energized, the HSV10-P23A allows flow from 2 to 1 and from 1 to 2. when energized, the valve closes, blocking flow from 2 to 1. In this mode, flow from 1 to 2 will be allowed after overcoming the solenoid force.

Features

- Integral position sensor indicates when valve is shifted.
- Continuous-duty rated coil.
- Hardened seat for long life and low leakage.
- Optional coil voltages and terminations.
- Efficient wet-armature construction.
- Cartridges are voltage interchangeable.
- Waterproof E-Coils rated up to IP69K.
- Unitized, molded coil design.
- 960 hour salt-spray rated solenoid tubes and coils.
- All HyPerformance products are tested to NFPA specification T2.6.1 and are tested at a verification level of 90% and an assurance of 99%.

Symbol



Ratings

Pressure Ratings

Pressure rating	350 bar (5075 psi)
Proof pressure	690 bar (10000 psi)
Burst pressure	1380 bar (20000 psi)

Flow Ratings

Flow rating	60.6 lpm (16 gpm)
Maximum internal leakage	5 drops/min - Note: Max at 350 bar (5075 psi) 7.2 lpm (1.9 gpm) - Note: Typical flow (leakage) in transition at 345 bar (5000 psi). (see "Flow vs % Valve Shift" graph for flow in transition from valve close to valve open).

Other Ratings

Response	47 ms - Note: Pull-in. Response times measured per NFPA/T3.5.30-2008 *Inlet pressure at port 2 is 345 bar (5000 psi) *Valve oriented vertically and purged of air 102 ms - Note: Drop-out. Response times measured per NFPA/T3.5.30-2008 *Inlet pressure at port 2 is 345 bar (5000 psi) *Valve oriented vertically and purged of air
Minimum pull-in voltage	10.2 Vdc - Note: 12 Vdc coil

Temperature Ratings

Operating fluid temperature	-40 to 100 °C (-40 to 212 °F) -26 to 204 °C (-15 to 400 °F) sensor operating temperature*	- Note: With buna N seals - Note: With fluorocarbon seals *See Position
Storage temperature	-40 to 70 °C (-40 to 160 °F)	- Note: With urethane seals *See Position
Ambient temperature	-40 to 70 °C (-40 to 160 °F)	
Position sensor operating temperature	-40 to 110 °C (-40 to 230 °F)	- Note: Sensor element operating temperature limits the operating temperature of the entire assembly



Operating Parameters

Fluids	Mineral based or synthetic hydraulic fluid with lubricating properties
Fluid viscosity range	7.4 to 420 cSt
Maximum operating contamination level	18/16/13 per ISO 4406

Position Sensor Specifications

Electrical Parameters

Supply voltage	9 to 32 Vdc	- Note: Vcc
Output voltage with target present	Vcc	
Output clamp current	40 to 65 mA	- Note: For Vcc up to 32 Vdc

Ratings

ESD	±8 kV	- Note: Air discharge
EMI	30 V/m	- Note: From 400 MHz to 2 GHz
IP rating	IP67	
Vibration	10 G	- Note: 10 to 2000 Hz sinusoidal
Mechanical shock	50 G	- Note: 11 ms, half-wave sinusoidal
Position sensor operating temperature	-40 to 110 °C (-40 to 230 °F)	- Note: Sensor element operating temperature limits the operating temperature of the entire assembly

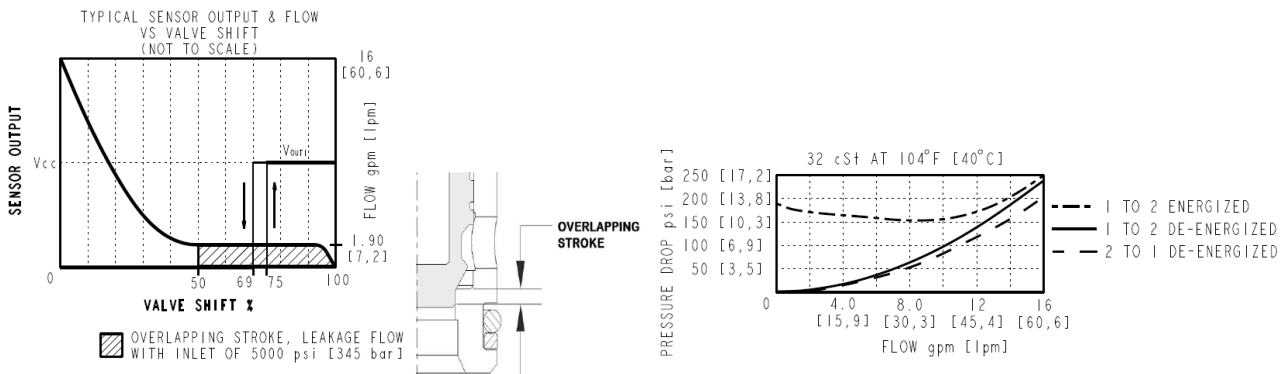
Properties

Connector	Deutsch DT04-4P	- Note: Option N3 (dual output)
	M12	- Note: Option M3 (dual output)

Properties

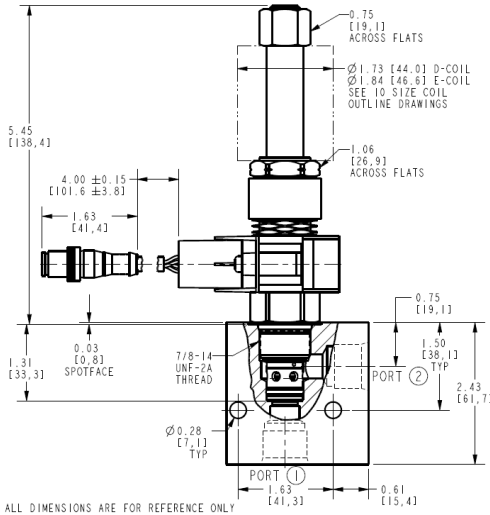
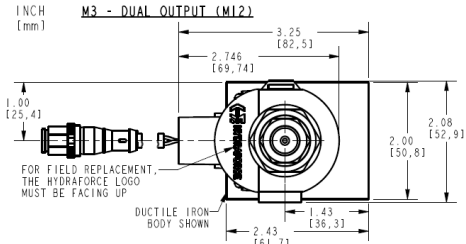
Unit weight	0.54 kg (1.2 lb)	- Note: Cartridge (HSV10-P23A with M12 connector)
Internal wetted surface area	293 cm ² (45.4 in ²)	

Performance

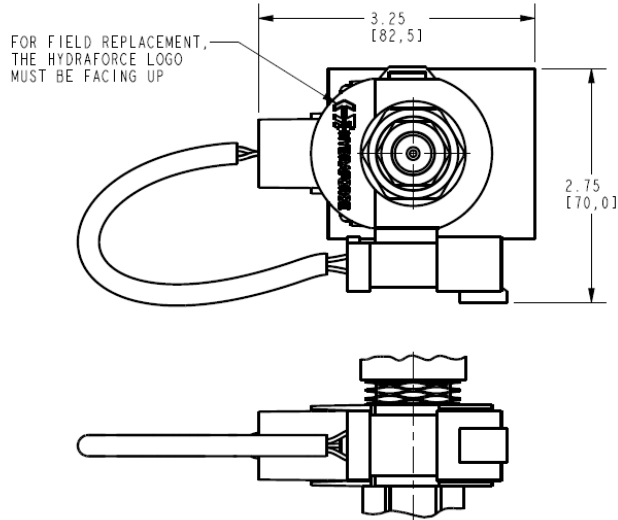




Dimensions

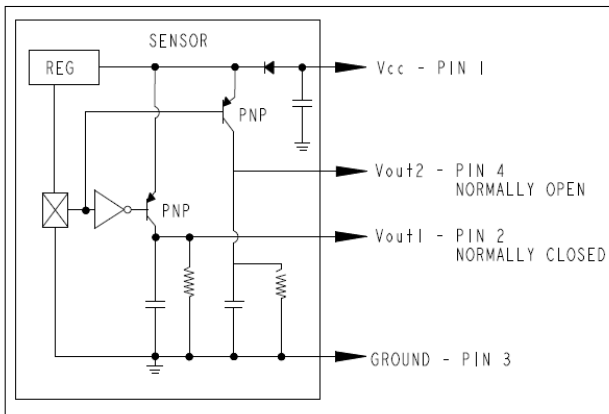


N3 - DUAL OUTPUT (DI04-4P)

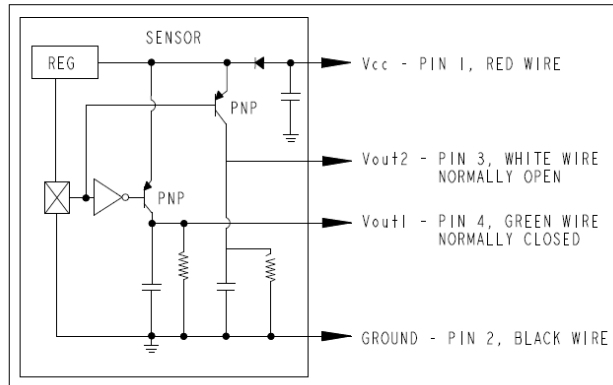


Wiring Diagrams

M3 SENSOR WIRING DIAGRAM



N3 SENSOR WIRING DIAGRAM



Installation Specifications

Cavity	HVC10-2	
Cartridge installation torque	101.7 to 115.2 N-m (75 to 85 ft-lb)	- Note: Steel/ductile iron cavity
Coil nut torque	5.8 to 9.5 N-m (5 to 7 ft-lb)	
Orientation restriction	None	

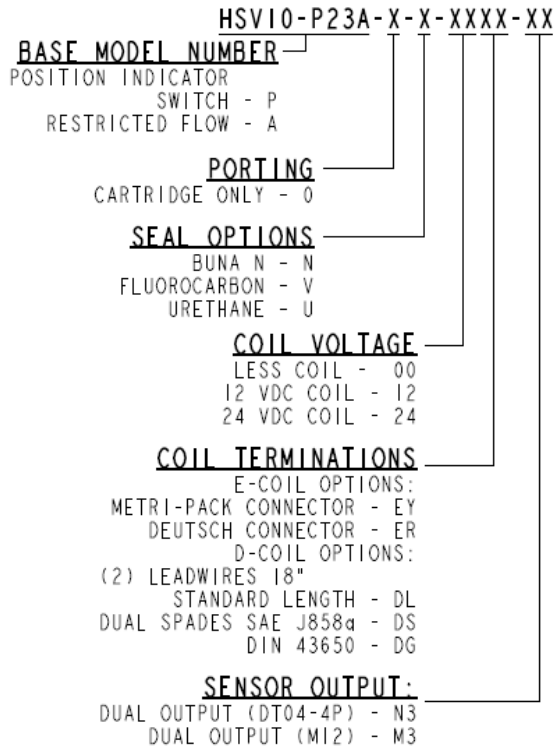
Accessories

Seal kit	SK10-2X-T	- Note: X = Seal option
----------	-----------	--------------------------------

Order Code



ORDERING INFORMATION



Model Options

HSV10-P23AE-H-J-L-M

E Manual Override

CODE	DESCRIPTION
BLANK	NONE
K	Momentary Push Override, Knob
P	Momentary Push Override, Button

H Line Body

CODE	DESCRIPTION
0	No Body

J Seal

CODE	DESCRIPTION
N	Buna-N
V	Fluorocarbon
U	PPDI Urethane

L Coil

CODE	DESCRIPTION
0	No Coil
10EL	10 VDC, E-Coil, Dual Lead Wires
10ER	10 VDC, E-Coil, Deutsch
10ER/Z	10 VDC, E-Coil, Deutsch with Zener Diode
12EG	12 VDC, E-Coil, DIN 43650
12EJ	12 VDC, E-Coil, AMP Jr.
12EL	12 VDC, E-Coil, Dual Lead Wires, 18 inches long
12EL/36	12 VDC, E-Coil, Dual Lead Wires, 36 inches long



CODE	DESCRIPTION
12EL/W/Z	12 VDC, E-Coil, Dual Lead Wires with WeatherPak and Zener Diode
12EL/Z	12 VDC, E-Coil, Dual Lead Wires with Zener Diode
12ER	12 VDC, E-Coil, Deutsch
12ER/Z	12 VDC, E-Coil, Deutsch with Zener Diode
12EY	12 VDC, E-Coil, Metri-Pack 150
12EY/Z	12 VDC, E-Coil, Metri-Pack 150 with Zener Diode
20ER	20 VDC, E-Coil, Deutsch
24EG	24 VDC, E-Coil, DIN 43650
24EJ	24 VDC, E-Coil, AMP Jr.
24EL	24 VDC, E-Coil, Dual Lead Wires, 18 inches long
24EL/36	24 VDC, E-Coil, Dual Lead Wires, 36 inches long
24EL/W/Z	24 VDC, E-Coil, Dual Lead Wires with WeatherPak and Zener Diode
24ER	24 VDC, E-Coil, Deutsch
24ER/Z	24 VDC, E-Coil, Deutsch with Zener Diode
24EY	24 VDC, E-Coil, Metri-Pack 150
24EY/Z	24 VDC, E-Coil, Metri-Pack 150 with Zener Diode

M Position Sensor Termination

CODE	DESCRIPTION
BLANK	No Position Sensor
M3	Neutral Sense, M12-4P, Dual Output NC/NO
N3	Neutral Sense, DT04-4P, Dual Output NC/NO