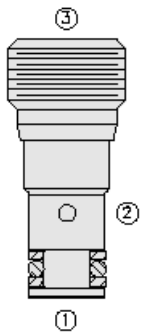




Overview



Description

The LS04-B30 is a load-shuttling, screw-in, cartridge style, hydraulic check valve for use in blocking circuits where a priority of flow/direction is given to a higher pressure circuit over a lower one.

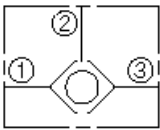
Operation

The LS04-B30 will allow flow from the higher pressure of port 1 or port 3 to the port 2. The valve is commonly used to direct oil from the pressure side of a bidirectional hydraulic motor to a pressure- released hydraulic brake. It CAN also be used as a load-sense signaling valve.

Features

- Rapid response to load direction changes.
- Miniature size.

Symbol



Ratings

Pressure Ratings

Pressure rating 241 bar (3500 psi)

Flow Ratings

Flow rating 5.68 lpm (1.5 gpm)

Maximum internal leakage 5 drops/min - **Note:** Max at 207 bar (3000 psi)

Temperature Ratings

| | | |
|-----------------------------|-------------------------------|--|
| Operating fluid temperature | -40 to 100 °C (-40 to 212 °F) | - Note: With buna N seals |
| | -26 to 204 °C (-15 to 400 °F) | - Note: With fluorocarbon seals |
| | -54 to 107 °C (-65 to 225 °F) | - Note: With polyurethane seals |
| Storage temperature | -40 to 70 °C (-40 to 160 °F) | |
| Ambient temperature | -40 to 70 °C (-40 to 160 °F) | |

Operating Parameters

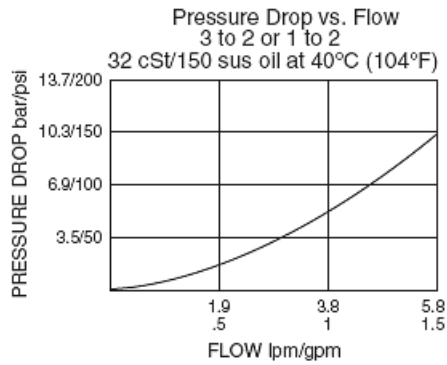
| | |
|---------------------------------------|--|
| Fluids | Mineral based or synthetic hydraulic fluid with lubricating properties |
| Fluid viscosity range | 7.4 to 420 cSt |
| Maximum operating contamination level | 20/18/14 per ISO 4406 |

Properties

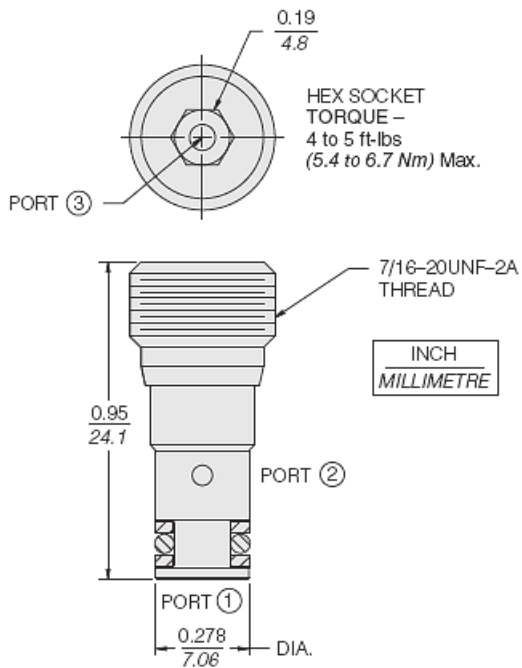
| | |
|------------------------------|--|
| Unit weight | 0.01 kg (0.02 lb) |
| Internal wetted surface area | 15.7 cm ² (2.43 in ²) |



Performance



Dimensions



Installation Specifications

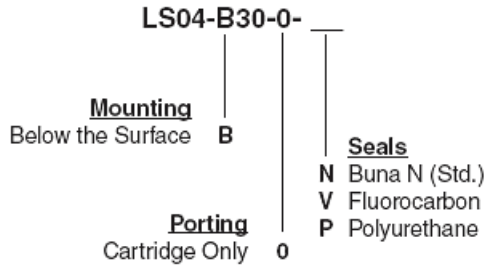
| | |
|-------------------------------|-------------------------------|
| Cavity | VC04-B3 |
| Cartridge installation torque | 5.4 to 6.8 N-m (4 to 5 ft-lb) |
| Maximum allowable torque | 16.3 N-m (12 ft-lb) |
| Orientation restriction | None |

Accessories

| | | |
|----------|------------|--------------------------------|
| Seal kit | SK04-B3X-M | - Note: X = seal option |
|----------|------------|--------------------------------|



Order Code



Model Options

LS04-B30-H-J

H Line Body

| CODE | DESCRIPTION |
|------|-------------|
| 0 | No Body |

J Seal

| CODE | DESCRIPTION |
|------|---------------|
| N | Buna-N |
| V | Fluorocarbon |
| P | Polyurethane |
| U | PPDI Urethane |