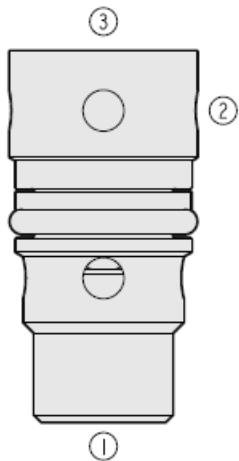




Overview



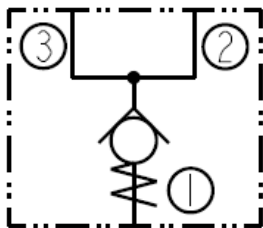
Description

The LSCVD10 is a drop-in, cartridge style, load sense check valve disc installed directly under a cartridge valve.

Operation

The load shuttle check valve allows free flow from ports 2 and 3 to port 1, while normally blocking flow in the opposite direction.

Symbol



Ratings

Pressure Ratings

Pressure rating 241 bar (3500 psi)

Flow Ratings

Flow rating See chart
Maximum internal leakage 5 drops/min - **Note:** At 207 bar (3000 psi)

Temperature Ratings

Operating fluid temperature	-40 to 100 °C (-40 to 212 °F)	- Note: With buna N seals
	-26 to 204 °C (-15 to 400 °F)	- Note: With fluorocarbon seals
	-54 to 107 °C (-65 to 225 °F)	- Note: With polyurethane seals
Storage temperature	-40 to 70 °C (-40 to 160 °F)	
Ambient temperature	-40 to 90 °C (-40 to 194 °F)	

Operating Parameters

Fluids	Mineral based or synthetic hydraulic fluid with lubricating properties
Fluid viscosity range	7.4 to 420 cSt
Maximum operating contamination level	20/18/14 per ISO 4406

Properties

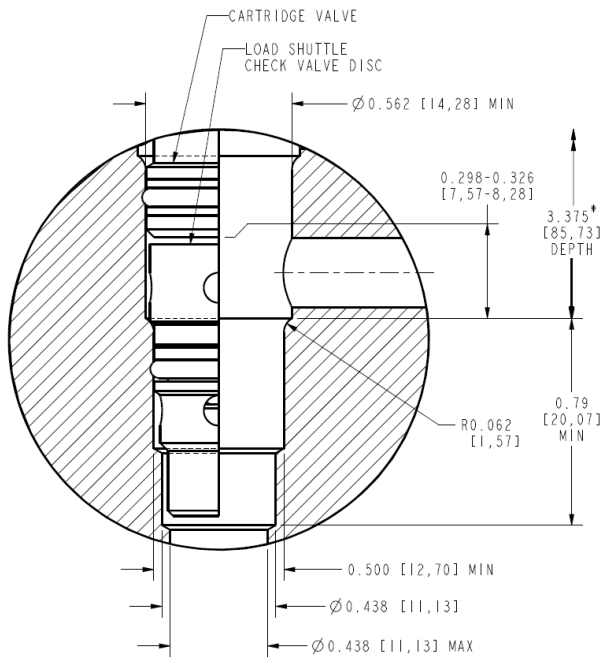
Unit weight	0.02 kg (0.04 lb)
Internal wetted surface area	26 cm ² (4 in ²)



Installation Specifications

INCH
[mm]

INSTALLATION:



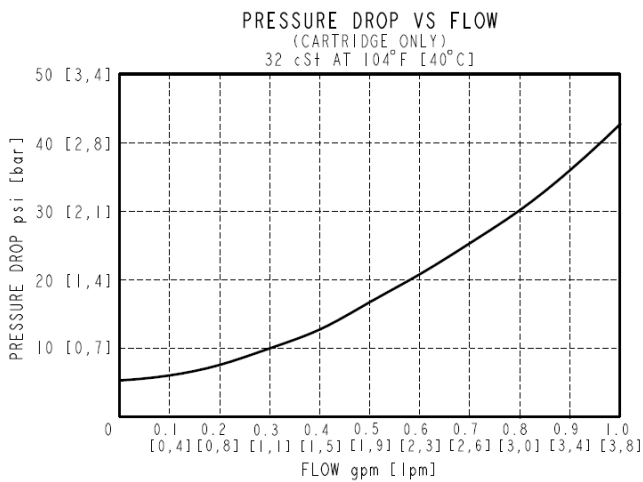
* DIMENSION FROM SPOTFACE OF RECOMMENDED VC10-6 CAVITY, VARIATION "A".

Cavity	VC10-6A
Orientation restriction	None

Accessories

Seal kit	SK10-B2N-O	- Note: Buna N
	SK10-B2V-B	- Note: Fluorocarbon
	SK10-B2P-O	- Note: Polyurethane

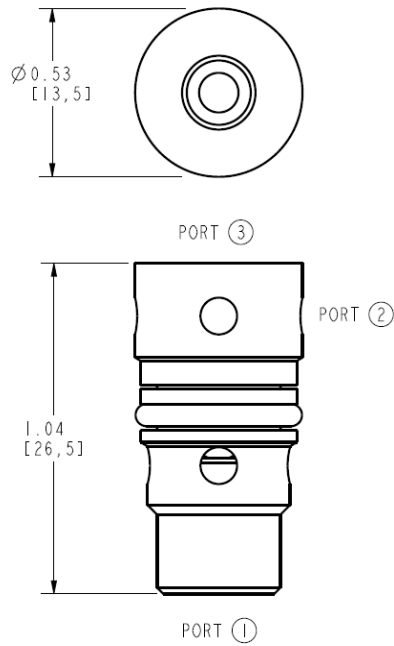
Performance





Dimensions

INCH
[mm] **OUTLINE**



ALL DIMENSIONS ARE FOR REFERENCE ONLY.

Order Code

ORDERING INFORMATION:

LSCVD10-X

SEAL OPTIONS:

BUNA N - N
FLUOROCARBON - V
POLYURETHANE - P

Model Options

LSCVD10-J

J Seal

CODE	DESCRIPTION
N	BUNA-N
V	Fluorocarbon
P	Polyurethane