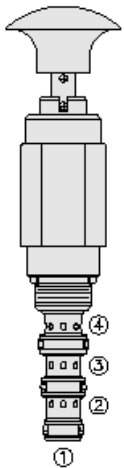




Overview



Description

The MP08-40X is a 4-way, manual, 2-position, pull to shift, spring return, directional hydraulic cartridge valve with locking feature.

Operation

In its neutral position the valve directs flow from port 3 to port 2 and from port 4 to port 1. In the actuated (pulled) position it directs flow from port 3 to port 4 and from port 2 to port 1. All ports are open in transition. the spring chamber is vented at port 1. When released the valve returns to its neutral position.

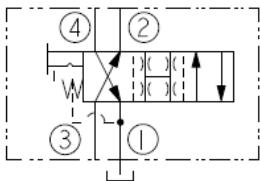
A 90° turn is required to lock the valve in the actuated (pulled) position. the valve resets to spring return (neutral) position with a slight pull and a 90° turn from the locked actuated position.

NOTE: pressure at port 1 will directly act on spool and spring. port 1 is intended to be a tank port only.

Features

- Hardened spool and cage for long life.
- Remains closed to 14 bar (200 psi) back-pressure.
- Optional rotational lock position.
- Industry-common cavity.

Symbol



Ratings

Pressure Ratings

Pressure rating	207 bar (3000 psi)	- Note: Ports 2, 3, and 4
	14 bar (200 psi)	- Note: Port 1

Flow Ratings

Flow rating	See performance graph
Maximum internal leakage	164 ml/min (10 in ³ /min) - Note: At 207 bar (3000 psi)

Temperature Ratings

Operating fluid temperature	-40 to 100 °C (-40 to 212 °F)	- Note: With buna N seals
	-26 to 204 °C (-15 to 400 °F)	- Note: With fluorocarbon seals
Storage temperature	-40 to 70 °C (-40 to 160 °F)	
Ambient temperature	-40 to 90 °C (-40 to 194 °F)	

Operating Parameters

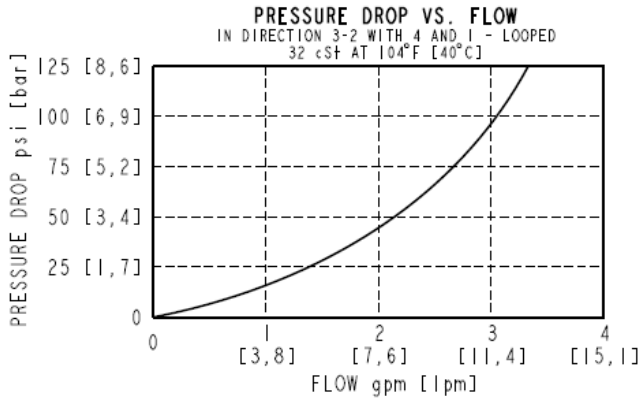
Fluids	Mineral based or synthetic hydraulic fluid with lubricating properties
Fluid viscosity range	7.4 to 420 cSt
Maximum operating contamination level	20/18/14 per ISO 4406

Properties

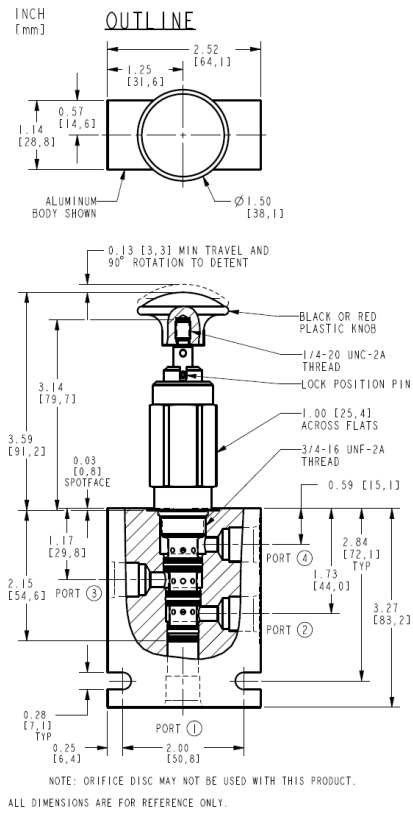
Mechanical pull effort required	7.7 kg (17 lb)	- Note: Installed
	9.1 kg (20 lb)	- Note: To open port 3 to port 4 and port 2 to port 1
	10.4 kg (23 lb)	- Note: To detent
Unit weight	0.27 kg (0.6 lb)	
Internal wetted surface area	165 cm ² (25.5 in ²)	



Performance



Dimensions



Installation Specifications

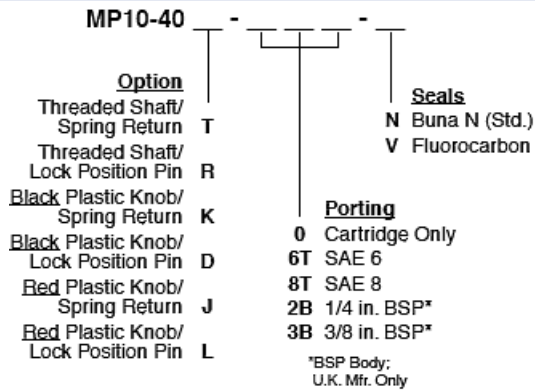
Cavity	VC08-4
Cartridge installation torque	25.8 to 28.5 N-m (19 to 21 ft-lb)
Orientation restriction	None

Accessories

Seal kit	SK08-4X-MMT	- Note: X = seal option
----------	-------------	-------------------------



Order Code



Model Options

MP08-40F-H-J

F Adjustment

CODE	DESCRIPTION
D	Black Plastic Knob with Lock Position Pin
J	Red Plastic Knob with Spring Return
K	Black Plastic Knob with Spring Return
L	Red Plastic Knob with Lock Position Pin
R	Threaded Shaft with Lock Position Pin
T	Threaded Shaft with Spring Return

H Line Body

CODE	DESCRIPTION
0	No Body
6TD	Ductile Iron SAE 6
3B	Aluminum BSPP 3/8" (3)
3BD	Ductile Iron BSPP 3/8" (3)

J Seal

CODE	DESCRIPTION
N	Buna-N
V	Fluorocarbon
P	Polyurethane
U	PPDI Urethane