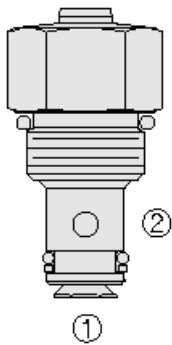




Overview



Description

The MV08-22 is a screw-in, cartridge style, cam-operated, two-way normally closed, poppet type, directional valve.

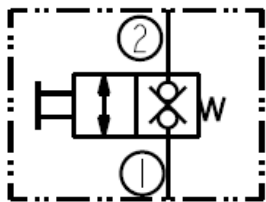
Operation

The valve blocks flow from port 2 to 1 until applied cam force is sufficient to overcome the spring bias plus load force.

Features

- Hardened seat and poppet for long life.
- Stainless steel cam button.
- Compact size.

Symbol



Ratings

Pressure Ratings

Pressure rating 207 bar (3000 psi)

Flow Ratings

Flow rating 37.9 lpm (10 gpm)

Maximum internal leakage 0.15 ml/min (3 drops/min) - **Note:** At port 2 20.7 to 207 bar (300 to 3000 psi)

Temperature Ratings

Operating fluid temperature	-40 to 100 °C (-40 to 212 °F)	- Note: With buna N seals
	-26 to 204 °C (-15 to 400 °F)	- Note: With fluorocarbon seals
	-54 to 107 °C (-65 to 225 °F)	- Note: With polyurethane seals
Storage temperature	-40 to 70 °C (-40 to 160 °F)	
Ambient temperature	-40 to 70 °C (-40 to 160 °F)	

Other Ratings

Corrosion protection 960 hr salt spray per ASTM b117 (gmv08-22)

Operating Parameters

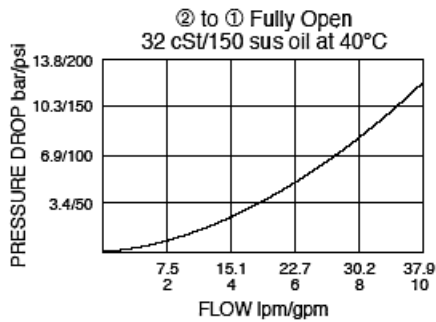
Fluids	Mineral based or synthetic hydraulic fluid with lubricating properties	
Fluid viscosity range	7.4 to 420 cSt	
Maximum operating contamination level	20/18/14 per ISO 4406	

Properties

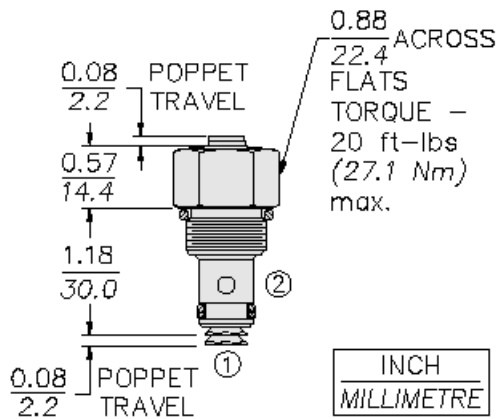
Operating force required	9.1 kg (20 lbf)	- Note: With no load at port 2
	20.9 kg (46 lbf)	- Note: With port 2 loaded at 69 bar (1000 psi)
	32.7 kg (72 lbf)	- Note: With port 2 loaded at 138 bar (2000 psi)
	44.5 kg (98 lbf)	- Note: With port 2 loaded at 207 bar (3000 psi)
Unit weight	0.08 kg (0.2 lb)	
Internal wetted surface area	64 cm ² (9.9 in ²)	



Performance



Dimensions



ORIFICE DISCS SHOULD NOT BE USED WITH THIS PRODUCT.

Installation Specifications

Cavity	VC08-2A
Cartridge installation torque	24.4 to 27.2 N-m (18 to 20 ft-lb)
Orientation restriction	None

Accessories

Seal kit	SK08-2X-T	- Note: X = seal option
----------	-----------	--------------------------------



Order Code

MV08-22-0-

| **Seals**
 N Buna N (Std.)
 V Fluorocarbon

Model Options

MV08-22-H-J

H Line Body

CODE	DESCRIPTION
0	No Body
6T	Aluminum SAE 6
8T	Aluminum SAE 8
6TD	Ductile Iron SAE 6
8TD	Ductile Iron SAE 8
2B	Aluminum BSPP 1/4" (2)
3B	Aluminum BSPP 3/8" (3)

J Seal

CODE	DESCRIPTION
N	Buna-N
V	Fluorocarbon
P	Polyurethane
U	PPDI Urethane