



Overview

Description

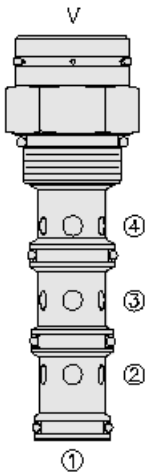
The PD16-40 is a screw-in, cartridge style, pilot operated, spool-type, hydraulic directional valve.

Operation

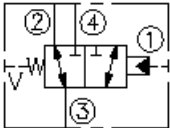
In the neutral position the valve allows flow from port 3 to 2 bidirectionally, while port 4 is blocked. The spring chamber is vented to atmosphere "v" which is internally o-ring sealed from the cartridge flow paths. On remote pilot signal at port 1, the valve's spool shifts to open port 3 and 4 while port 2 is blocked because of the vented spring chamber, the cartridge may be fully pressurized at any port without affecting required pilot pressure.

Features

- Hardened spool and cage for long life.
- Optional sealed pilot
- Industry-common cavity.



Symbol



Ratings

Pressure Ratings

Pressure rating 241 bar (3500 psi)

Temperature Ratings

Operating fluid temperature -40 to 120 °C (-40 to 248 °F)

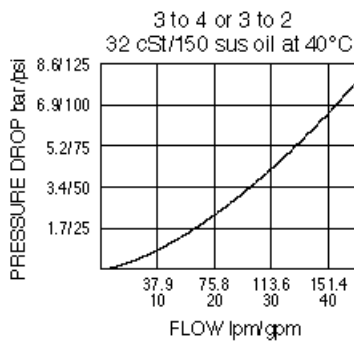
Flow Ratings

Maximum internal leakage 245 ml/min (15 in³/min) - **Note:** From port 1 to 2 with sealed spool at 207 bar (3000 psi)

Properties

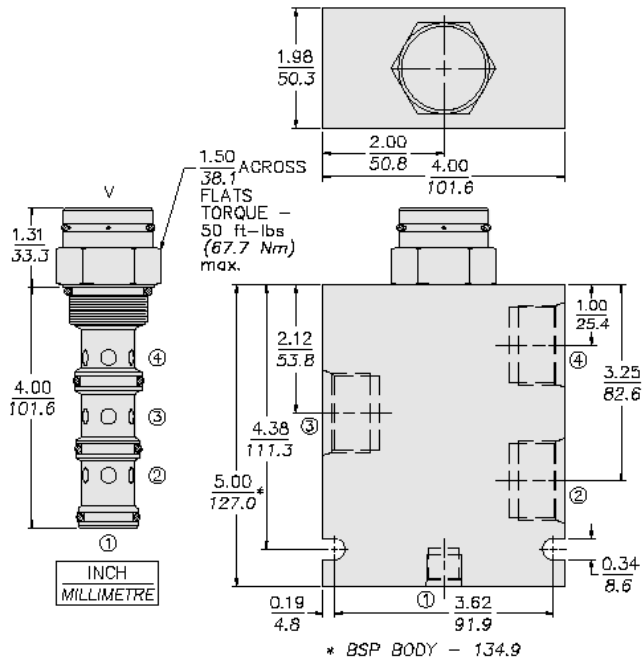
Materials Steel with work surfaces hardened, external surfaces are zinc plated
Unit weight 0.52 kg (1.15 lb)

Performance





Dimensions



Installation Specifications

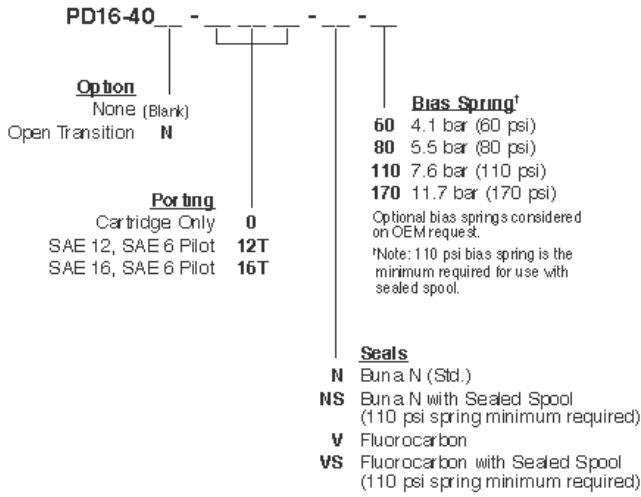
Cavity	VC16-4
Cartridge installation torque	44.7 to 50.2 N-m (33 to 37 ft-lb)

Accessories

Seal kit	SK16-4N-MMM	- Note: Buna N
	SK16-4V-MMM	- Note: Viton
	SK16-4P-MMM	- Note: Polyurethane



Order Code



Model Options

PD16-40B-H-J-R

B Spool Option

CODE	DESCRIPTION
BLANK	Standard
N	Normally Open in Transition

H Line Body

CODE	DESCRIPTION
0	No Body
16T	Aluminum SAE 16
12TD	Ductile Iron SAE 12
16TD	Ductile Iron SAE 16

J Seal

CODE	DESCRIPTION
N	Buna-N
NS	Buna-N with a Sealed Spool
V	Fluorocarbon
VS	Fluorocarbon with a Sealed Spool
P	Polyurethane
PS	Polyurethane with a Sealed Spool
U	PPDI Urethane
US	PPDI Urethane with a Sealed Spool

R Spring

CODE	DESCRIPTION
60	60 psi Bias Spring
80	80 psi Bias Spring
110	110 psi Bias Spring
170	170 psi Bias Spring