



Overview

Description

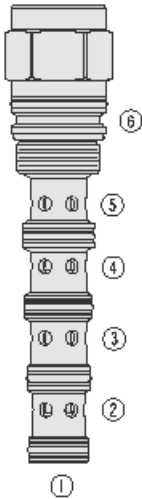
The PD16-S60N is a screw-in, cartridge style, pilot operated, spool-type hydraulic directional valve.

Operation

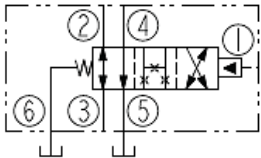
In the neutral position flow is allowed between ports 2 and 3 and between ports 4 and 5. On remote pilot signal at port 1 the valve's spool shifts to allow flow between ports 3 and 4, and between ports 2 and 5. The spring chamber is vented to the tank through port 6. The vented spring chamber allows the valve to be fully pressurized at port 1, 2, 3, and 4 without affecting required pilot pressure. Pressure at port 6 will affect required pilot pressure.

Features

- Hardened spool and cage for long life.
- 60, 80, 110 and 170 psi bias springs available.



Symbol



Ratings

Pressure Ratings

Pressure rating 241 bar (3500 psi)

Temperature Ratings

Operating fluid temperature -40 to 120 °C (-40 to 248 °F)

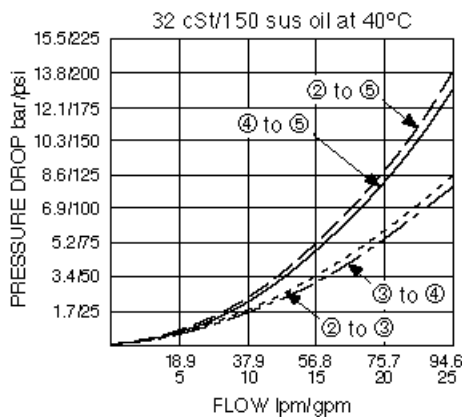
Flow Ratings

Maximum internal leakage 164 ml/min (10 in³/min) - **Note:** At 207 bar (3000 psi)

Properties

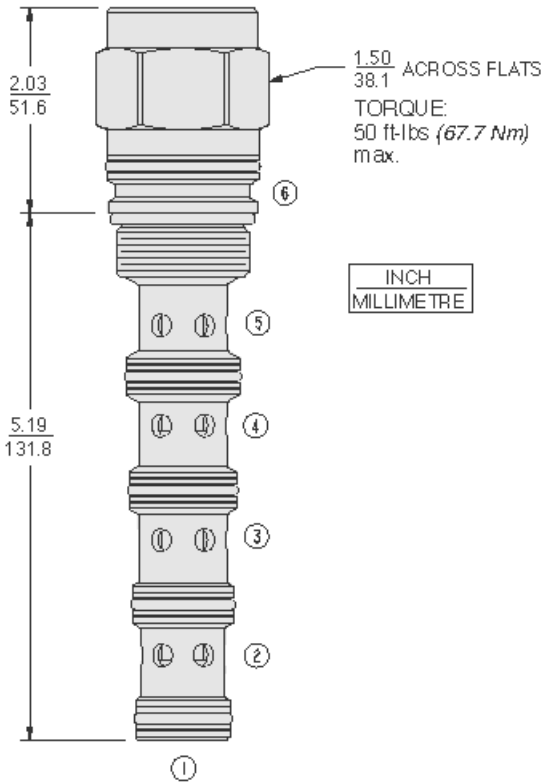
Materials steel with work surfaces hardened, external surfaces are zinc plated buna N o-rings standard
 Unit weight 0.74 kg (1.62 lb)

Performance





Dimensions

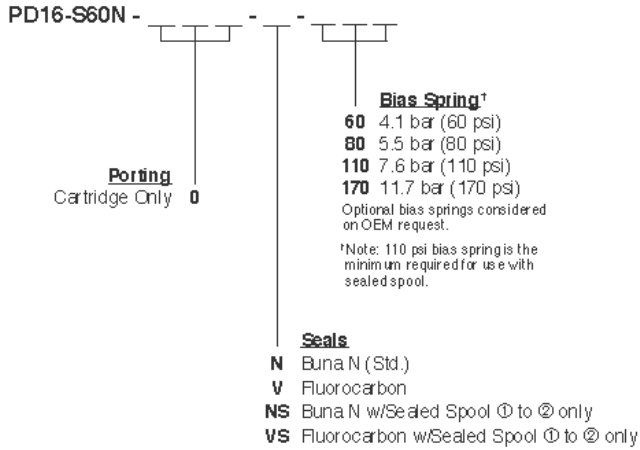


Installation Specifications

Cavity	VC16-S6
Cartridge installation torque	62.4 to 73.2 N-m (46 to 54 ft-lb)



Order Code



Model Options

PD16-S60N-H-J-R

H Line Body

CODE	DESCRIPTION
0	No Body

J Seal

CODE	DESCRIPTION
N	Buna-N
NS	Buna-N with a Sealed Spool
V	Fluorocarbon
VS	Fluorocarbon with a Sealed Spool
P	Polyurethane
PS	Polyurethane with a Sealed Spool
U	PPDI Urethane
US	PPDI Urethane with a Sealed Spool

R Spring

CODE	DESCRIPTION
60	60 psi Bias Spring
80	80 psi Bias Spring
110	110 psi Bias Spring
170	170 psi Bias Spring