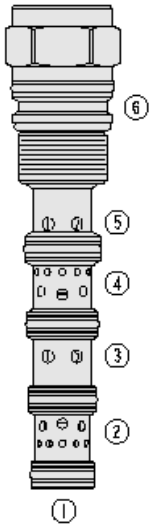




## Overview



### Description

The PE12-S67K is a screw-in, cartridge-style, proportional, spring centered spool, pilot operated hydraulic directional valve.

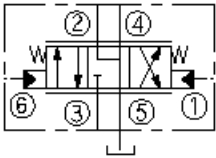
### Operation

In neutral position inlet port 3 is blocked and ports 2, 4 and 5 are communicating with each other. On remote pilot signal at port 1 the valve's spool shifts proportionally to the applied pilot pressure to allow flow from port 3 to port 4, thru a load, such as hydraulic cylinder or motor, and then from port 2 to port 5 and to tank. On remote pilot signal at port 6 the valve's spool shifts proportionally to the applied pressure in opposite direction thus reversing the flow direction. The valve's spool is non-symmetrical providing meter-in control.

### Features

- Hardened spool and cage for long life.
- Excellent metering characteristics.
- Good Linearity.

### Symbol



## Ratings

### Pressure Ratings

Pressure rating	345 bar (5000 psi)	- <b>Note:</b> Port 3
	241 bar (3500 psi)	- <b>Note:</b> Ports 2, 4
	27.6 bar (400 psi)	- <b>Note:</b> Ports 1, 6

### Flow Ratings

Flow rating	45.4 lpm (12 gpm)
Maximum internal leakage	164 ml/min (10 in <sup>3</sup> /min) - <b>Note:</b> At 207 bar (3000 psi)

### Temperature Ratings

Operating fluid temperature	-40 to 100 °C (-40 to 212 °F)	- <b>Note:</b> With buna N seals
	-26 to 204 °C (-15 to 400 °F)	- <b>Note:</b> With fluorocarbon seals
	-54 to 107 °C (-65 to 225 °F)	- <b>Note:</b> With polyurethane seals
Storage temperature	-40 to 70 °C (-40 to 160 °F)	
Ambient temperature	-40 to 90 °C (-40 to 194 °F)	

## Operating Parameters

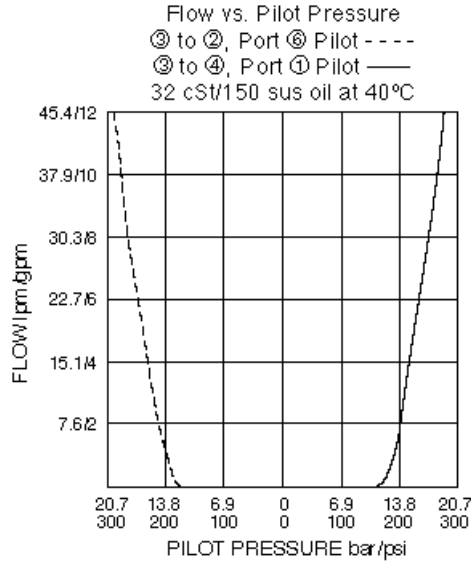
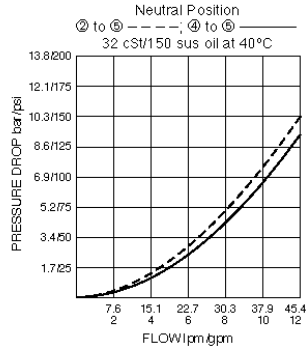
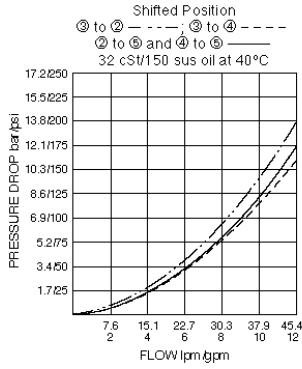
Fluids	Mineral based or synthetic hydraulic fluid with lubricating properties
Fluid viscosity range	7.4 to 420 cSt
Maximum operating contamination level	18/16/13 per ISO 4406

## Properties

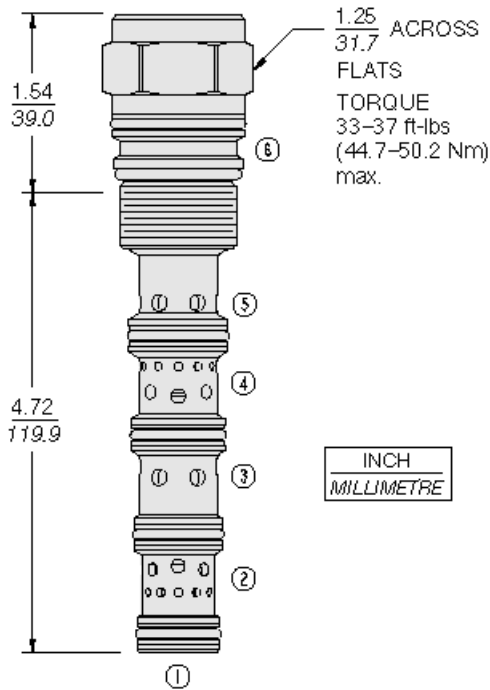
Displacement per stroke	0.65 cm <sup>3</sup> (0.039 in <sup>3</sup> )	- <b>Note:</b> per stroke direction
Unit weight	0.45 kg (0.98 lb)	
Internal wetted surface area	414 cm <sup>2</sup> (64.2 in <sup>2</sup> )	



## Performance



## Dimensions



## Installation Specifications

Cavity	VC12-S6
Cartridge installation torque	44.7 to 50.2 N-m (33 to 37 ft-lb)
Maximum allowable torque	67.8 N-m (50 ft-lb)
Orientation restriction	None

## Accessories

Seal kit	SK12-S6X-BMMMM	- Note: X = seal option
----------	----------------	-------------------------



**Order Code**

PE12-S67K - -

Porting  
Cartridge Only 0

- Seals**
- N Buna-N (Std.)
  - P Polyurethane (for pressures over 240 bar /3500 psi)
  - V Fluorocarbon

**Model Options**

**PE12-S67K-H-J**

**H Line Body**

CODE	DESCRIPTION
0	No Body

**J Seal**

CODE	DESCRIPTION
N	Buna-N
V	Fluorocarbon
P	Polyurethane
U	PPDI Urethane