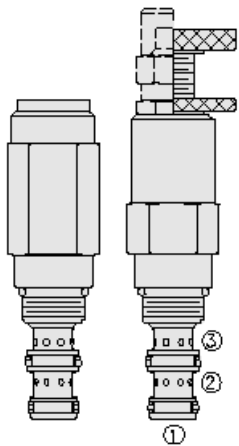




Overview



Description

PS08-30 is a direct-acting, spool-type, hydraulic sequence valve with internal pilot and spring chamber drain, designed to direct oil to a secondary circuit once a predetermined pressure level is attained in the primary circuit.

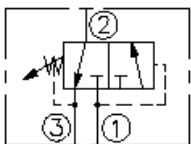
Operation

In its steady state, the PS08-30 blocks flow at port 1 while allowing flow to pass from port 2 to port 3. On attainment of a predetermined pressure at port 1, the cartridge shifts to open at port 1 to port 2.

Features

- Adjustments cannot be backed out of the valve.
- Adjustments prohibit springs from going solid.
- Optional spring ranges to 165.5 bar (2400 psi).
- Hardened spool and cage for long life.
- Compact, industry-common size.

Symbol



Ratings

Pressure Ratings

Pressure rating	241.3 bar (3500 psi)	- Note: At all ports
Proof pressure	482.6 bar (7000 psi)	- Note: At all ports
Burst pressure	896.3 bar (13000 psi)	

Flow Ratings

Flow rating	22.7 lpm (6 gpm)	
Maximum internal leakage	82 ml/min (5 in ³ /min)	- Note: Max at nominal setting

Temperature Ratings

Operating fluid temperature	-40 to 100 °C (-40 to 212 °F)	- Note: With buna N seals
	-26 to 204 °C (-15 to 400 °F)	- Note: With viton seals
	-54 to 107 °C (-65 to 225 °F)	- Note: With polyurethane seals
Storage temperature	-40 to 70 °C (-40 to 160 °F)	
Ambient temperature	-40 to 70 °C (-40 to 160 °F)	

Operating Parameters

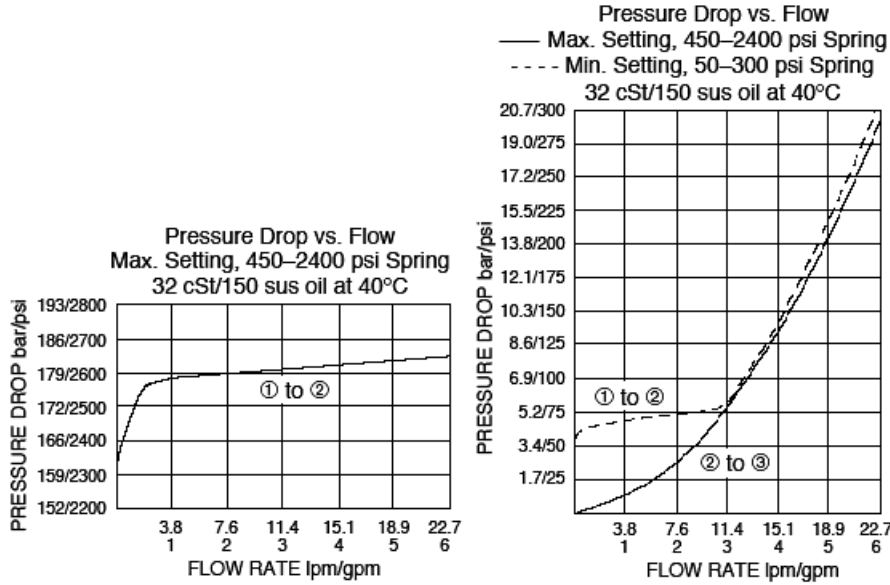
Fluids	Mineral based or synthetic with lubricating properties
Fluid viscosity range	7.4 to 420 cSt
Maximum operating contamination level	18/16/13 per ISO 4406

Properties

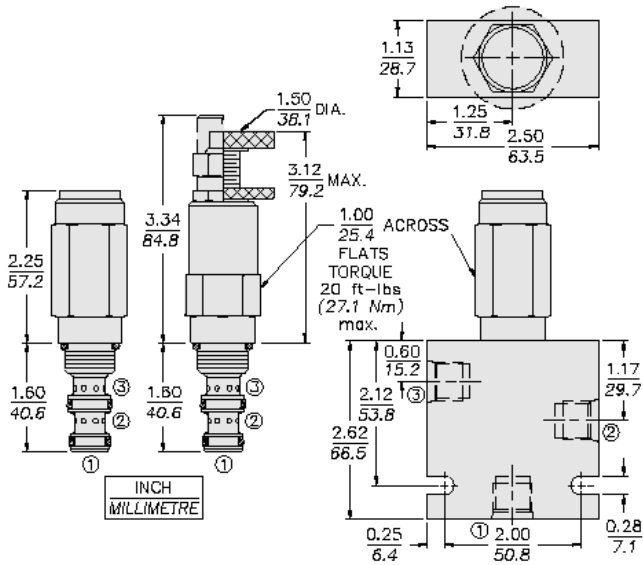
Unit weight	0.24 kg (0.53 lb)	- Note: PS08-30A
	0.23 kg (0.51 lb)	- Note: PS08-30F PS08-30H
	0.26 kg (0.58 lb)	- Note: PS08-30B
	0.29 kg (0.63 lb)	- Note: PS08-30C
	Internal wetted surface area	128 cm ² (19.9 in ²)
	143 cm ² (22.1 in ²)	- Note: PS08-30F PS08-30H



Performance



Dimensions



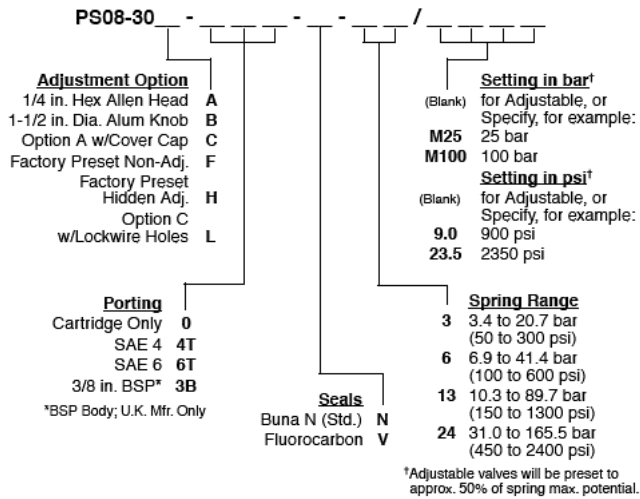
Installation Specifications

Cavity	VC08-3
Cartridge installation torque	25.8 to 28.6 N-m (19 to 21 ft-lb)
Orientation restriction	None

Accessories

Seal kit	SK08-3X-BB	- Note: X=seal option
----------	------------	-----------------------

Order Code



Model Options

PS08-30F-H-J-R/S

F Adjustment Option

CODE	DESCRIPTION
A	1/4" Hex Allen Head
B	1-1/2" Diameter Aluminum Knob with Aluminum Lock Knob
C	1/4" Hex Allen Head with Cover Cap
F	Factory Preset Non-Adjustable
H	Factory Preset Hidden Adjustment
L	1/4" Hex Allen Head with Cover Cap and Lockwire Holes

H Line Body

CODE	DESCRIPTION
0	No Body
4T	Aluminum SAE 4
6T	Aluminum SAE 6
6TD	Ductile Iron SAE 6
8TD	Ductile Iron SAE 8
3B	Aluminum BSPP 3/8" (3)
3BD	Ductile Iron BSPP 3/8" (3)

J Seal

CODE	DESCRIPTION
N	Buna-N
V	Fluorocarbon
P	Polyurethane
U	PPDI Urethane

R Spring

CODE	DESCRIPTION
03	3.4 to 20.7 bar (50 to 300 psi) Spring Range
06	8.3 to 41.4 bar (120 to 600 psi) Spring Range
13	13.8 to 89.6 bar (200 to 1300 psi) Spring Range



CODE	DESCRIPTION
24	30 to 165.5 bar (450 to 2400 psi) Spring Range

S Setting

CODE	DESCRIPTION
MXXX	Spring Setting in XXX bar
XX	Spring Setting in XX psi (x 100)