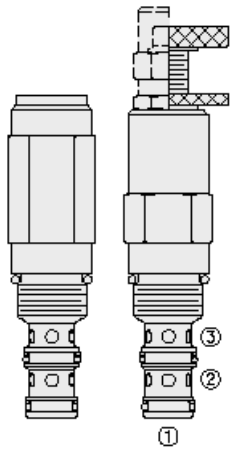




## Overview



### Description

PS10-33X is a screw in, cartridge style, direct acting, spool type hydraulic sequence valve with external pilot.

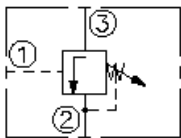
### Operation

The PS10-33X blocks flow from port 3 to port 2 until sufficient pressure is present at port 1 to shift and allow flow from port 3 to port 2.

### Features

- Adjustments cannot be backed out of the valve.
- Adjustments prohibit springs from going solid.
- Optional spring ranges to 240 bar (3500 psi).
- Hardened spool and cage for long life.
- Industry-common size.

### Symbol



## Ratings

### Pressure Ratings

Pressure rating	241.3 bar (3500 psi)	- <b>Note:</b> Port 1
	103.4 bar (1500 psi)	- <b>Note:</b> Port 2
	241.3 bar (3500 psi)	- <b>Note:</b> Port 3
Proof pressure	482.6 bar (7000 psi)	
Burst pressure	965.3 bar (14000 psi)	
Sequence pressure	34.5 to 241.3 bar (500 to 3500 psi)	

### Flow Ratings

Flow rating	18.9 lpm (5 gpm)	
Maximum internal leakage	82 ml/min (5 in <sup>3</sup> /min)	- <b>Note:</b> Max at port 2, 90% of nominal setting

### Temperature Ratings

Operating fluid temperature	-40 to 100 °C (-40 to 212 °F)	- <b>Note:</b> With buna N seals
	26 to 204 °C (-15 to 400 °F)	- <b>Note:</b> With viton seals
Storage temperature	-40 to 70 °C (-40 to 160 °F)	
Ambient temperature	-40 to 70 °C (-40 to 160 °F)	

## Operating Parameters

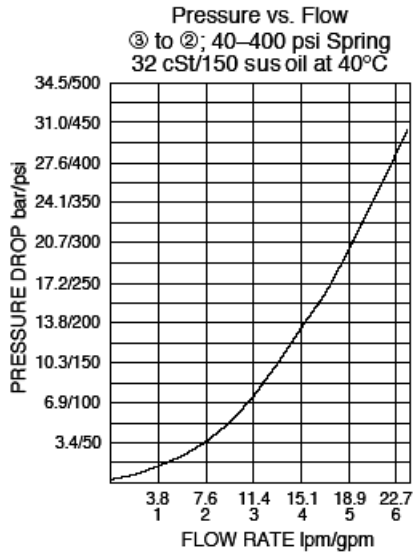
Fluids	Mineral based or synthetic with lubricating properties
Fluid viscosity range	7.4 to 420 cSt
Maximum operating contamination level	18/16/13 per ISO 4406

## Properties

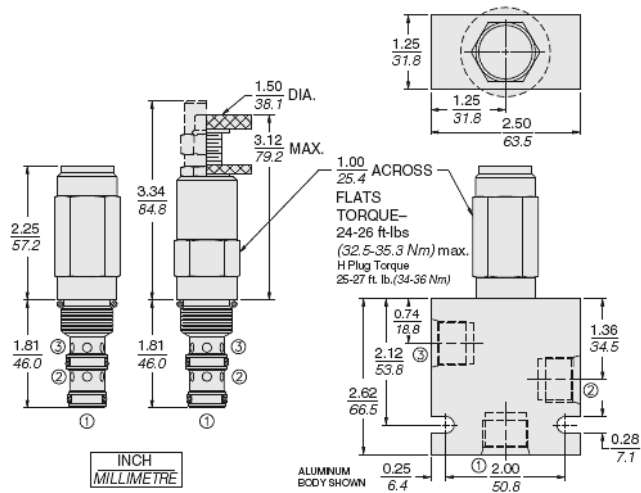
Unit weight	0.27 kg (0.59 lb)	- <b>Note:</b> A
	0.29 kg (0.64 lb)	- <b>Note:</b> B
	0.31 kg (0.69 lb)	- <b>Note:</b> C I
	0.26 kg (0.57 lb)	- <b>Note:</b> F h
Internal wetted surface area	148 cm <sup>2</sup> (22.9 in <sup>2</sup> )	- <b>Note:</b> A b c I
	163 cm <sup>2</sup> (25.3 in <sup>2</sup> )	- <b>Note:</b> F h



## Performance



## Dimensions



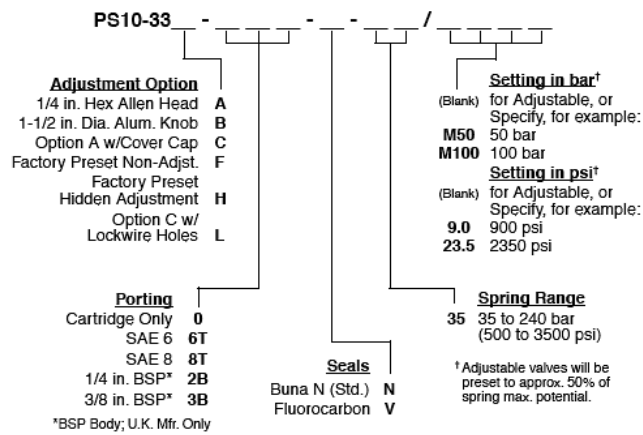
## Installation Specifications

Cavity	VC10-3
Cartridge installation torque	32.5 to 35.3 N-m (24 to 26 ft-lb)
H style plug torque	33.9 N-m (25 ft-lb)
Orientation restriction	None

## Accessories

Seal kit	SK10-3X-TB	- Note: X=seal option
----------	------------	-----------------------

## Order Code



## Model Options

### PS10-33F-H-J-R/S

#### F Adjustment Option

CODE	DESCRIPTION
A	1/4" Hex Allen Head
B	1-1/2" Diameter Aluminum Knob with Aluminum Lock Knob
C	1/4" Hex Allen Head with Cover Cap
F	Factory Preset Non-Adjustable
H	Factory Preset Hidden Adjustment
L	1/4" Hex Allen Head with Cover Cap and Lockwire Holes

#### H Line Body

CODE	DESCRIPTION
0	No Body
6T	Aluminum SAE 6
8T	Aluminum SAE 8
6TD	Ductile Iron SAE 6
8TD	Ductile Iron SAE 8
3B	Aluminum BSPP 3/8" (3)
3BD	Ductile Iron BSPP 3/8" (3)

#### J Seal

CODE	DESCRIPTION
N	Buna-N
V	Fluorocarbon
P	Polyurethane
U	PPDI Urethane

#### R Spring

CODE	DESCRIPTION
35	34.5 to 241.3 bar (500 to 3500 psi) Spring Range

#### S Setting

CODE	DESCRIPTION
MXXX	Spring Setting in XXX bar
XX	Spring Setting in XX psi (x 100)

