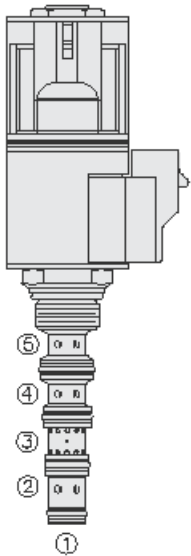




Overview



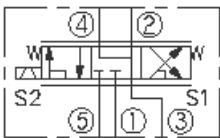
Description

This valve is a direct - acting 3 position, 5 port proportional directional control. With port 1 as a load sense port it is a screw-in cartridge type for use with general purpose hydraulic fluids.

Features

- Continuous-duty rated solenoid.
- Hardened precision spool and cage for long life.
- Optional coil voltages and terminations.
- Manual override option.
- Optional waterproof E-Coils rated up to IP69K.
- Cartridges are voltage interchangeable.
- Industry-common cavity "Compact" size.

Symbol



Ratings

Pressure Ratings

Pressure rating	241 bar (3500 psi)	- Note: SP08-57D
	207 bar (3000 psi)	- Note: SP08-57DM
Proof pressure	345 bar (5000 psi)	- Note: For SP08-57DM only
Burst pressure	655 bar (9500 psi)	

Flow Ratings

Flow rating	See coil heating graph	
Maximum internal leakage	10 in ³ /min	- Note: At 207 bar (3000 psi)

Temperature Ratings

Operating fluid temperature	-40 to 120 °C (-40 to 250 °F)	- Note: Buna N
	-30 to 250 °C (-20 to 400 °F)	- Note: Fluorocarbon
	-50 to 80 °C (-60 to 175 °F)	- Note: Polyurethane
Storage temperature	-40 to 70 °C (-40 to 158 °F)	
Ambient temperature	-40 to 70 °C (-40 to 158 °F)	

Operating Parameters

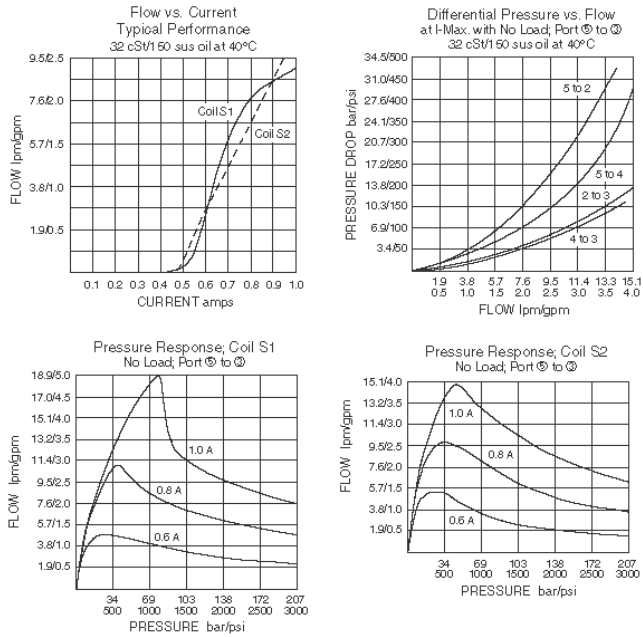
Fluids	Mineral based or synthetic hydraulic fluid with lubricating properties	
Fluid viscosity range	420 cSt	- Note: Operating temperature must not exceed limits of fluid viscosity or limits of seal storage temperature

Properties

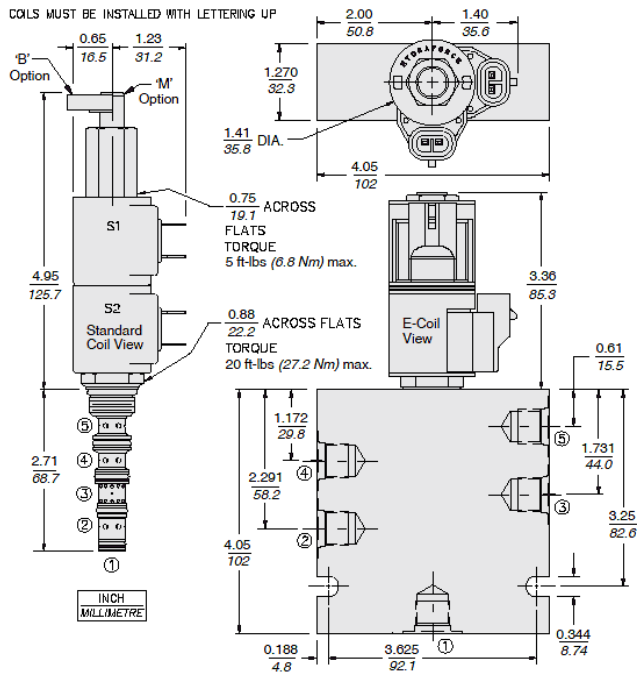
Unit weight	0.17 kg (0.38 lb)	- Note: SP08-57D
	0.24 kg (0.52 lb)	- Note: SP08-57DM
Internal wetted surface area	178 cm ² (27.6 in ²)	



Performance



Dimensions



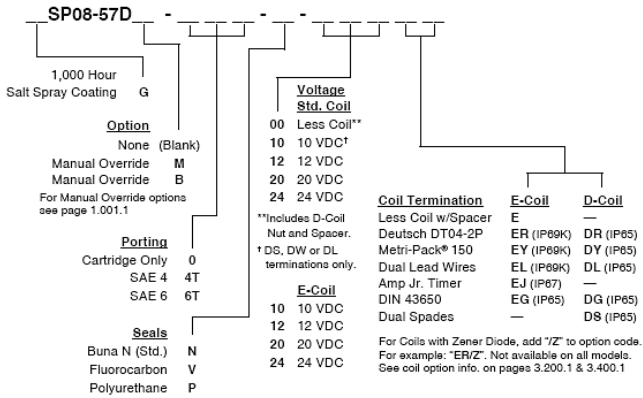
Installation Specifications

Cavity	VC08-5
Cartridge installation torque	33.9 to 40.7 N-m (25 to 30 ft-lb)
Maximum allowable torque	54 N-m (40 ft-lb) - Note: Aluminum
Coil nut torque	5.4 to 6.8 N-m (4 to 5 ft-lb)
Orientation restriction	None

Accessories

Seal kit	SK08-5X-MMMM	- Note: X = seal option
----------	--------------	--------------------------------

Order Code



Model Options

SP08-57DE-H-J-L

E Manual Override

CODE	DESCRIPTION
B	Momentary PushPull Override, 1.5" Diameter Aluminum Knob
BLANK	NONE
K	Three Position Override, 1.5" Diameter Aluminum Knob
M	Momentary Push/Pull Override, Red Knurled Knob

H Line Body

CODE	DESCRIPTION
0	No Body
6T	Aluminum SAE 6

J Seal

CODE	DESCRIPTION
N	Buna-N
V	Fluorocarbon
P	Polyurethane
U	PPDI Urethane

L Coil

CODE	DESCRIPTION
0	No Coil, D-Coil Spacer
0E	No Coil, E-Coil Spacer
10DL	10 VDC, D-Coil, Dual Lead Wires
10DS	10 VDC, D-Coil, Dual Spade
10EL	10 VDC, E-Coil, Dual Lead Wires, 18 inches long
10EL/36	10 VDC, E-Coil, Dual Lead Wires, 36 inches long
10ER	10 VDC, E-Coil, Deutsch
12DG	12 VDC, D-Coil, DIN 43650
12DL	12 VDC, D-Coil, Dual Lead Wires, 18 inches long
12DL/36	12 VDC, D-Coil, Dual Lead Wires, 36 inches long
12DL/W	12 VDC, D-Coil, Dual Lead Wires with Weatherpak
12DR	12 VDC, D-Coil, Deutsch
12DS	12 VDC, D-Coil, Dual Spade



CODE	DESCRIPTION
12EG	12 VDC, E-Coil, DIN 43650
12EJ	12 VDC, E-Coil, AMP Jr.
12EL	12 VDC, E-Coil, Dual Lead Wires, 18 inches long
12EL/36	12 VDC, E-Coil, Dual Lead Wires, 36 inches long
12ER	12 VDC, E-Coil, Deutsch
12EY	12 VDC, E-Coil, Metri-Pack 150
20DG	20 VDC, D-Coil, DIN 43650
20DS	20 VDC, D-Coil, Dual Spade
20ER	20 VDC, E-Coil, Deutsch
24AG	24 VDC, D-Coil, DIN 43650
24AP	24 VDC, D-Coil, 1/2" Conduit and Dual Lead Wires
24DG	24 VDC, D-Coil, DIN 43650
24DL	24 VDC, D-Coil, Dual Lead Wires, 18 inches long
24DL/36	24 VDC, D-Coil, Dual Lead Wires, 36 inches long
24DL/W	24 VDC, D-Coil, Dual Lead Wires with Weatherpak
24DR	24 VDC, D-Coil, Deutsch
24DS	24 VDC, D-Coil, Dual Spade
24EG	24 VDC, E-Coil, DIN 43650
24EJ	24 VDC, E-Coil, AMP Jr.
24ER	24 VDC, E-Coil, Deutsch
24EY	24 VDC, E-Coil, Metri-Pack 150
36DG	36 VDC, D-Coil, DIN 43650
36DS	36 VDC, D-Coil, Dual Spade