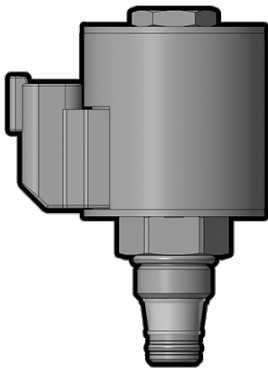




Overview



Description

A solenoid-operated, 2 port, normally closed, direct-acting, needle type, screw in hydraulic cartridge valve, designed to function as a blocking or load-holding device for low flow circuits.

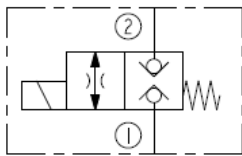
Operation

When de-energized, SV58-26 blocks flow in both directions, to pressure rating. If pressure on port 1 exceeds the rating, flow may pass from port 1 to port 2. When energized, the needle point lifts to open the valve bidirectionally. Port 2 is the recommended load-holding port.

Features

- Bidirectional flow path
- Manual override option
- Screen option
- Continuous-duty rated coil
- Hardened precision spool and cage for long life
- Both ports may be fully pressurized
- Efficient wet-armature construction
- Optional waterproof E-Coils rated up to IP69K
- Industry common cavity

Symbol



Ratings

Pressure Ratings

Pressure rating	345 bar (5000 psi)
Proof pressure	350 bar (5075 psi)
Burst pressure	827 bar (12000 psi)

Flow Ratings

Flow rating	See performance chart
Maximum internal leakage	3 drops/min - Note: Maximum at 241 bar (3500 psi)

Temperature Ratings

Operating fluid temperature	-40 to 100 °C (-40 to 212 °F)	- Note: With Buna N seals
	-26 to 204 °C (-15 to 400 °F)	- Note: With fluorocarbon seals
	-54 to 107 °C (-65 to 225 °F)	- Note: With urethane seals
Storage temperature	-40 to 70 °C (-40 to 160 °F)	
Ambient temperature	-40 to 70 °C (-40 to 160 °F)	

Operating Parameters

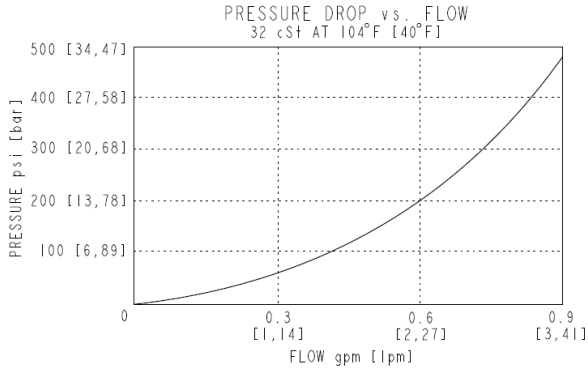
Fluids	Mineral based or synthetic hydraulic fluid with lubricating properties.
Fluid viscosity range	7.4 to 420 cSt
Maximum operating contamination level	20/18/14 Per ISO 4406

Properties

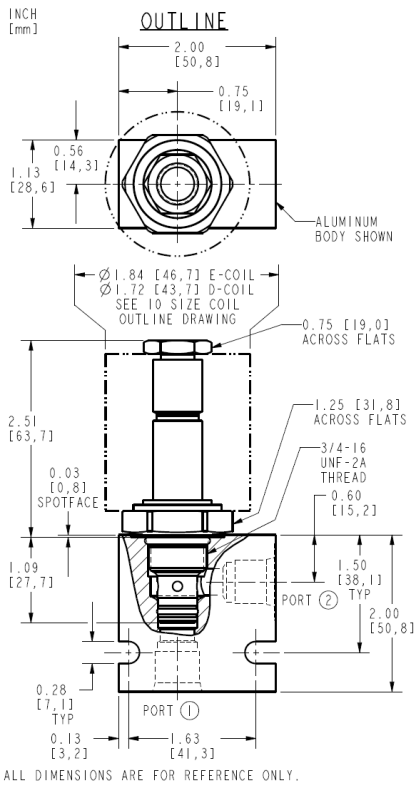
Unit weight	0.18 kg (0.39 lb)
Internal wetted surface area	84 cm ² (13 in ²)



Performance



Dimensions



Installation Specifications

Cavity	VC08-2
Cartridge installation torque	25.8 to 28.5 N-m (19 to 21 ft-lb)
Maximum allowable torque	54.2 N-m (40 ft-lb)
Coil nut torque	5.4 to 6.8 N-m (4 to 5 ft-lb)
Orientation restriction	None

Accessories

Seal kit	SK38-2X-M	- Note: X = Seal option
----------	-----------	--------------------------------

Order Code



ORDERING INFORMATION:

SV58-26-X-X-XX XX

BASE MODEL NUMBER

PORTING:
CARTRIDGE ONLY - 0

SEAL OPTION:-
BUNA N - N
FLUOROCARBON - V
* POLYURETHANE - P

COIL VOLTAGE:-
LESS COIL - 00
12 VDC COIL - 12
24 VDC COIL - 24

** COIL TERMINATIONS:-
E-COIL OPTIONS:
METRI-PACK CONNECTOR - EY
DEUTSCH CONNECTOR - ER

D-COIL OPTIONS:
(2) LEADWIRES 18"
STANDARD LENGTH - DL
DUAL SPADES SAE J858a - DS

* POLYURETHANE SEALS
RECOMMENDED FOR
OPERATING PRESSURES
ABOVE 3500psi [241 bar]

Model Options**SV58-26EG-H-J-L****E Manual Override**

CODE	DESCRIPTION
BLANK	NONE
M	Two Position Override, Red Knurled Knob

G Screen

CODE	DESCRIPTION
BLANK	NONE
S	100 Mesh Screen

H Line Body

CODE	DESCRIPTION
0	No Body
4T	Aluminum SAE 4
6T	Aluminum SAE 6
8T	Aluminum SAE 8
6TD	Ductile Iron SAE 6
8TD	Ductile Iron SAE 8
2B	Aluminum BSPP 1/4" (2)
3B	Aluminum BSPP 3/8" (3)
3BD	Ductile Iron BSPP 3/8" (3)

J Seal

CODE	DESCRIPTION
N	Buna-N
V	Fluorocarbon



CODE	DESCRIPTION
------	-------------

P	Polyurethane
---	--------------

L Coil

CODE	DESCRIPTION
0	No Coil
10DG	10 VDC, D-Coil, DIN 43650
10DL	10 VDC, D-Coil, Dual Lead Wires
10DR/D	10 VDC, D-Coil, Deutsch with Diode
10DS	10 VDC, D-Coil, Dual Spade
10EL	10 VDC, E-Coil, Dual Lead Wires
10ER	10 VDC, E-Coil, Deutsch
10ER/Z	10 VDC, E-Coil, Deutsch with Zener Diode
12DG	12 VDC, D-Coil, DIN 43650
12DL	12 VDC, D-Coil, Dual Lead Wires, 18 inches long
12DL/36	12 VDC, D-Coil, Dual Lead Wires, 36 inches long
12DL/W	12 VDC, D-Coil, Dual Lead Wires with Weatherpak
12DL/W/D	12 VDC, D-Coil, Dual Lead Wires with Weatherpak with Diode
12DR	12 VDC, D-Coil, Deutsch
12DR/D	12 VDC, D-Coil, Deutsch with Diode
12DR/Z	12 VDC, D-Coil, Deutsch with Zener Diode
12DS	12 VDC, D-Coil, Dual Spade
12EG	12 VDC, E-Coil, DIN 43650
12EJ	12 VDC, E-Coil, AMP Jr.
12EL	12 VDC, E-Coil, Dual Lead Wires, 18 inches long
12EL/36	12 VDC, E-Coil, Dual Lead Wires, 36 inches long
12EL/W/Z	12 VDC, E-Coil, Dual Lead Wires with WeatherPak and Zener Diode
12EL/Z	12 VDC, E-Coil, Dual Lead Wires with Zener Diode
12ER	12 VDC, E-Coil, Deutsch
12ER/Z	12 VDC, E-Coil, Deutsch with Zener Diode
12EY	12 VDC, E-Coil, Metri-Pack 150
12EY/Z	12 VDC, E-Coil, Metri-Pack 150 with Zener Diode
20DR/D	20 VDC, D-Coil, Deutsch with Diode
20DS	20 VDC, D-Coil, Dual Spade
20ER	20 VDC, E-Coil, Deutsch
24AG	24 VDC, D-Coil, DIN 43650
24AP	24 VDC, D-Coil, 1/2" Conduit and Dual Lead Wires
24DG	24 VDC, D-Coil, DIN 43650
24DL	24 VDC, D-Coil, Dual Lead Wires
24DL/W	24 VDC, D-Coil, Dual Lead Wires with Weatherpak
24DL/W/D	24 VDC, D-Coil, Dual Lead Wires with Weatherpak with Diode
24DP	24 VDC, D-Coil, 1/2" Conduit and Dual Lead Wires
24DR	24 VDC, D-Coil, Deutsch
24DR/D	24 VDC, D-Coil, Deutsch with Diode
24DS	24 VDC, D-Coil, Dual Spade



CODE	DESCRIPTION
24EG	24 VDC, E-Coil, DIN 43650
24EJ	24 VDC, E-Coil, AMP Jr.
24EL	24 VDC, E-Coil, Dual Lead Wires, 18 inches long
24EL/36	24 VDC, E-Coil, Dual Lead Wires, 36 inches long
24EL/W/Z	24 VDC, E-Coil, Dual Lead Wires with WeatherPak and Zener Diode
24ER	24 VDC, E-Coil, Deutsch
24ER/Z	24 VDC, E-Coil, Deutsch with Zener Diode
24EY	24 VDC, E-Coil, Metri-Pack 150
24EY/Z	24 VDC, E-Coil, Metri-Pack 150 with Zener Diode
36DS	36 VDC, D-Coil, Dual Spade
115AG	115 VAC, D-Coil, DIN 43650
115AP	115 VAC, D-Coil, 1/2" Conduit and Dual Lead Wires
230AG	230 VAC, D-Coil, DIN 43650
230AP	230 VAC, D-Coil, 1/2" Conduit and Dual Lead Wires