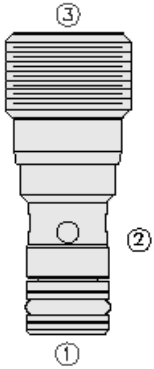




## Overview



### Description

A load shuttle, screw-in, cartridge style, hydraulic check valve, for use in blocking circuits where a priority of flow/direction is given to a higher pressure circuit over a lower one.

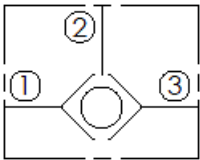
### Operation

The HLS06-B30 will allow flow from the higher pressure port 1 or 3 to port 2.

### Features

- Rapid response to load direction changes.
- Higher flow capacity.
- Lower pressure drop.
- Reduced space claim and smaller hydraulic "footprint".

## Symbol



## Ratings

### Pressure Ratings

Pressure rating	350 bar (5075 psi) 420 bar (6090 psi)	- <b>Note:</b> 10% cycle life
Proof pressure	690 bar (10000 psi)	
Burst pressure	1380 bar (20000 psi)	

### Flow Ratings

Flow rating	7.6 lpm (2 gpm)	- <b>Note:</b> At 350 bar (5075 psi)
Maximum internal leakage	0.10 ml/min (2 drops/min)	

### Other Ratings

Cycle life	One million cycles
------------	--------------------

### Temperature Ratings

Operating fluid temperature	-40 to 100 °C (-40 to 212 °F)	- <b>Note:</b> With buna N seals
	-26 to 204 °C (-15 to 400 °F)	- <b>Note:</b> With viton seals
	-54 to 107 °C (-65 to 225 °F)	- <b>Note:</b> With urethane seals
Storage temperature	-40 to 70 °C (-40 to 160 °F)	
Ambient temperature	-40 to 90 °C (-40 to 194 °F)	

## Operating Parameters

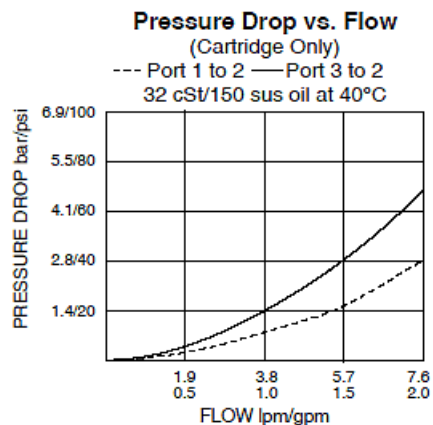
Fluids	Mineral based or synthetic hydraulic fluid with lubricating properties
Fluid viscosity range	7.4 to 420 cSt
Maximum operating contamination level	18/16/13 per ISO 4406

## Properties

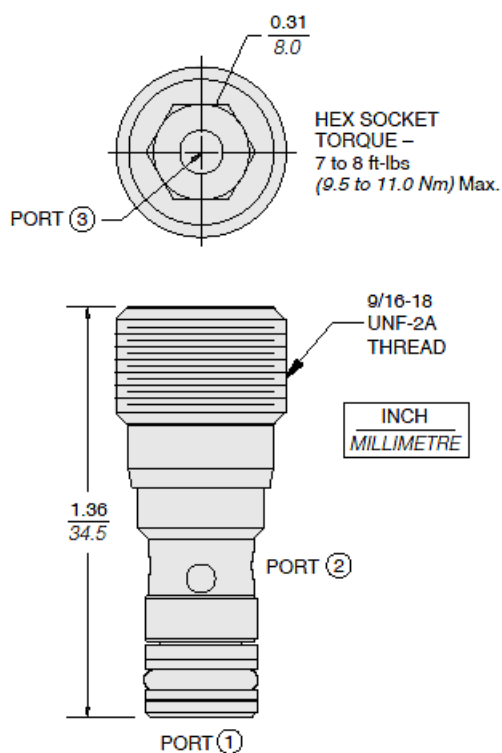
Unit weight	0.02 kg (0.04 lb)
Internal wetted surface area	28 cm <sup>2</sup> (4.3 in <sup>2</sup> )



## Performance



## Dimensions



## Installation Specifications

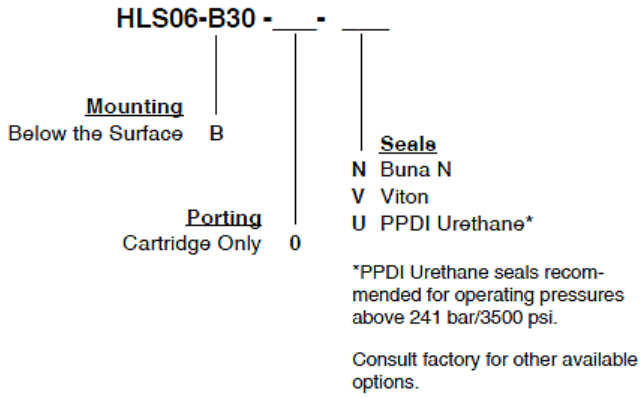
Cavity	HVC06-b3	
Cartridge installation torque	11.0 N-m (7 to 8 ft-lb)	- <b>Note:</b> Steel/ductile iron cavity
Orientation restriction	None	

## Accessories

Seal kit	SK06-B3N-M	- <b>Note:</b> Buna N
	SK06-B3V-M	- <b>Note:</b> Viton
	SK06-B3U-0	- <b>Note:</b> Urethane



**Order Code**



**Model Options**

**HLS06-B30-H-J**

**H Line Body**

CODE	DESCRIPTION
0	No Body

**J Seal**

CODE	DESCRIPTION
N	Buna-N
V	Fluorocarbon
U	PPDI Urethane