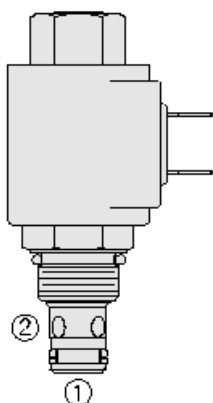




## Overview



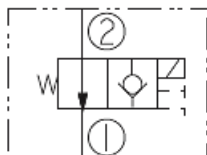
### Description

A solenoid-operated, 2 way, normally open, poppet type, screw-in hydraulic cartridge valve designed for low leakage in load-holding applications. When de-energized, the SV08-21 allows flow from 2 to 1. Flow from 1 to 2 is severely restricted. When energized, the valve's poppet closes on its seat, blocking flow from 2 to 1. The cartridge will allow 1 to 2 flow after overcoming the solenoid force.

### Features

- Continuous-duty rated coil. Hardened seat for long life and low leakage. Optional coil voltages and terminations. Cartridges are voltage interchangeable. Unitized, molded coil design. Manual override option. Optional waterproof E-Coils rated up to IP69K. Industry common cavity. Compact size.

### Symbol



## Ratings

### Flow Ratings

Flow rating	See performance chart
Maximum internal leakage	5 drops/min - <b>Note:</b> Maximum at 207 bar (3000 psi)

### Pressure Ratings

Pressure rating	207 bar (3000 psi)
-----------------	--------------------

### Temperature Ratings

Operating fluid temperature	-40 to 120 °C
-----------------------------	---------------

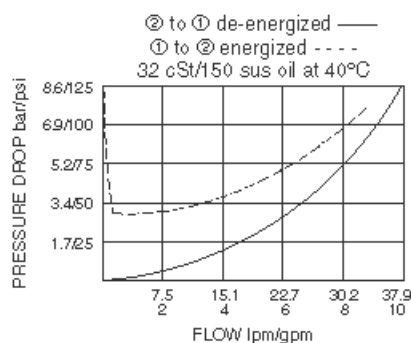
## Properties

Materials	Steel with hardened work surface zinc plated exposed. Buna N o-ring and Teflon back-up rings
-----------	--

## Electrical Parameters

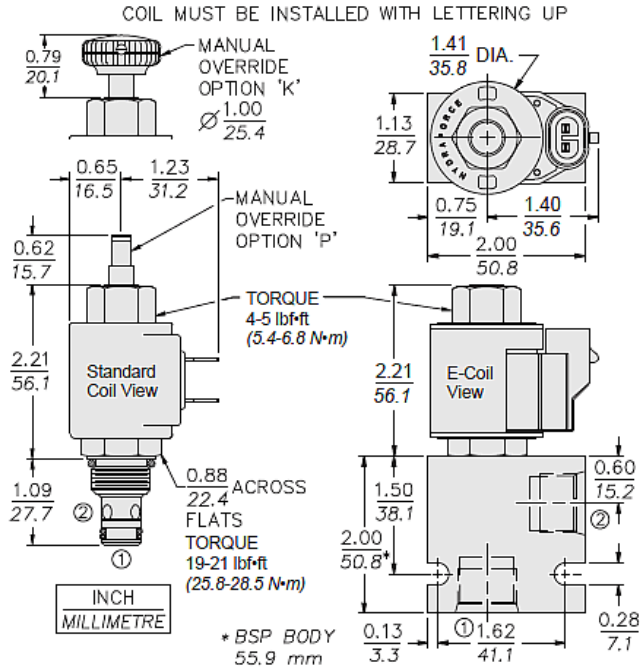
Pull in voltage	85% of nominal at 40 °C (104 °F)
Drop out voltage	5% of nominal

## Performance





Dimensions



Order Code

SV08-21 - - -

<b>Option</b>		<b>Voltage</b>		<b>Termination (VDC)</b>
None (Blank)		<b>Std. Coil</b>		<b>Std. Coil</b>
Manual Override without Knob	P	0 Less Coil**	DS	Dual Spades
Manual Override with Knob	K	10 10 VDC†	DG	DIN 43650
		12 12 VDC	DL	Leadwires (2)
		24 24 VDC	DL/W	Leads w/Weatherpak® Connectors
		36 36 VDC	DR	Deutsch DT04-2P
		48 48 VDC		
<b>Porting</b>		24 24 VAC		<b>Termination (VAC)</b>
Cartridge Only	0	115 115 VAC	AG	DIN 43650
SAE 8	8T	230 230 VAC	AP	1/2 in. Conduit
3/8 in. BSP*	3B			<b>Termination (VDC)</b>
*BSP Body; U.K. Mfr. Only				<b>E-Coil</b>
		<b>E-Coil</b>		ER
		10 10 VDC		Deutsch DT04-2P (IP69K Rated)
<b>Seals</b>		12 12 VDC	EY	Metri-Pack® 150 (IP69K Rated)
Buna N (Std.)	N	20 20 VDC		
Fluorocarbon	V	24 24 VDC		
Polyurethane	P			

† DS, DW or DL terminations only.

\*\*Includes Std. Coil Nut

Coils with internal diode are available. Consult factory.

Model Options

SV08-21EG-H-J-L

E Manual Override

CODE	DESCRIPTION
BLANK	NONE
HP	Momentary Push Override, Button with Protective Nut
K	Momentary Push Override, Knob
P	Momentary Push Override, Button

G Screen

CODE	DESCRIPTION
BLANK	NONE
S	100 Mesh Screen

H Line Body



CODE	DESCRIPTION
0	No Body
4T	Aluminum SAE 4
6T	Aluminum SAE 6
8T	Aluminum SAE 8
6TD	Ductile Iron SAE 6
8TD	Ductile Iron SAE 8
2B	Aluminum BSPP 1/4" (2)
3B	Aluminum BSPP 3/8" (3)
3BD	Ductile Iron BSPP 3/8" (3)

### J Seal

CODE	DESCRIPTION
N	Buna-N
V	Fluorocarbon
P	Polyurethane
U	PPDI Urethane

### L Coil

CODE	DESCRIPTION
0	No Coil
10DL	10 VDC, D-Coil, Dual Lead Wires
10DR/D	10 VDC, D-Coil, Deutsch with Diode
10DS	10 VDC, D-Coil, Dual Spade
10EL	10 VDC, E-Coil, Dual Lead Wires, 18 inches long
10EL/36	10 VDC, E-Coil, Dual Lead Wires, 36 inches long
10ER	10 VDC, E-Coil, Deutsch
10ER/Z	10 VDC, E-Coil, Deutsch with Zener Diode
12DG	12 VDC, D-Coil, DIN 43650
12DL	12 VDC, D-Coil, Dual Lead Wires, 18 inches long
12DL/36	12 VDC, D-Coil, Dual Lead Wires, 36 inches long
12DL/W	12 VDC, D-Coil, Dual Lead Wires with Weatherpak
12DL/W/D	12 VDC, D-Coil, Dual Lead Wires with Weatherpak with Diode
12DR	12 VDC, D-Coil, Deutsch
12DR/D	12 VDC, D-Coil, Deutsch with Diode
12DR/Z	12 VDC, D-Coil, Deutsch with Zener Diode
12DS	12 VDC, D-Coil, Dual Spade
12EG	12 VDC, E-Coil, DIN 43650
12EG/Z	12 VDC, E-Coil, DIN 43650 with Zener Diode
12EJ	12 VDC, E-Coil, AMP Jr.
12EJ/Z	12 VDC, E-Coil, AMP Jr. with Zener Diode
12EL	12 VDC, E-Coil, Dual Lead Wires, 18 inches long
12EL/36	12 VDC, E-Coil, Dual Lead Wires, 36 inches long
12EL/Z	12 VDC, E-Coil, Dual Lead Wires with Zener Diode
12ER	12 VDC, E-Coil, Deutsch



CODE	DESCRIPTION
12ER/Z	12 VDC, E-Coil, Deutsch with Zener Diode
12EY	12 VDC, E-Coil, Metri-Pack 150
12EY/Z	12 VDC, E-Coil, Metri-Pack 150 with Zener Diode
20DG	20 VDC, D-Coil, DIN 43650
20DS	20 VDC, D-Coil, Dual Spade
20ER	20 VDC, E-Coil, Deutsch
20ER/Z	20 VDC, E-Coil, Deutsch with Zener Diode
24AG	24 VDC, D-Coil, DIN 43650
24AP	24 VDC, D-Coil, 1/2" Conduit and Dual Lead Wires
24DG	24 VDC, D-Coil, DIN 43650
24DL	24 VDC, D-Coil, Dual Lead Wires, 18 inches long
24DL/36	24 VDC, D-Coil, Dual Lead Wires, 36 inches long
24DL/W	24 VDC, D-Coil, Dual Lead Wires with Weatherpak
24DR	24 VDC, D-Coil, Deutsch
24DR/D	24 VDC, D-Coil, Deutsch with Diode
24DR/Z	24 VDC, D-Coil, Deutsch with Zener Diode
24DS	24 VDC, D-Coil, Dual Spade
24EG	24 VDC, E-Coil, DIN 43650
24EG/Z	24 VDC, E-Coil, DIN 43650 with Zener Diode
24EJ	24 VDC, E-Coil, AMP Jr.
24EL/D	24 VDC, E-Coil, Dual Lead Wires with Diode
24ER	24 VDC, E-Coil, Deutsch
24ER/Z	24 VDC, E-Coil, Deutsch with Zener Diode
24EY	24 VDC, E-Coil, Metri-Pack 150
24EY/Z	24 VDC, E-Coil, Metri-Pack 150 with Zener Diode
36DG	36 VDC, D-Coil, DIN 43650
36DS	36 VDC, D-Coil, Dual Spade
115AG	115 VAC, D-Coil, DIN 43650
115AP	115 VAC, D-Coil, 1/2" Conduit and Dual Lead Wires
230AG	230 VAC, D-Coil, DIN 43650
230AP	230 VAC, D-Coil, 1/2" Conduit and Dual Lead Wires