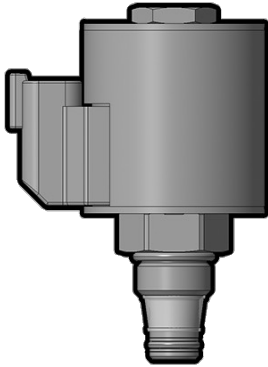




## Overview



### Description

A solenoid-operated, 2 port, normally closed, direct-acting, needle type, screw in hydraulic cartridge valve, designed to function as a blocking or load-holding device for low flow circuits.

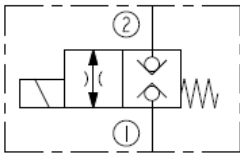
### Operation

When de-energized, SV58-26 blocks flow in both directions, to pressure rating. If pressure on port 1 exceeds the rating, flow may pass from port 1 to port 2. When energized, the needle point lifts to open the valve bidirectionally. Port 2 is the recommended load-holding port.

### Features

- Bidirectional flow path
- Manual override option
- Screen option
- Continuous-duty rated coil
- Hardened precision spool and cage for long life
- Both ports may be fully pressurized
- Efficient wet-armature construction
- Optional waterproof E-Coils rated up to IP69K
- Industry common cavity

### Symbol



## Ratings

### Pressure Ratings

Pressure rating	345 bar (5000 psi)
Proof pressure	350 bar (5075 psi)
Burst pressure	827 bar (12000 psi)

### Flow Ratings

Flow rating	See performance chart
Maximum internal leakage	3 drops/min - <b>Note:</b> Maximum at 241 bar (3500 psi)

### Temperature Ratings

Operating fluid temperature	-40 to 100 °C (-40 to 212 °F)	- <b>Note:</b> With Buna N seals
	-26 to 204 °C (-15 to 400 °F)	- <b>Note:</b> With fluorocarbon seals
	-54 to 107 °C (-65 to 225 °F)	- <b>Note:</b> With urethane seals
Storage temperature	-40 to 70 °C (-40 to 160 °F)	
Ambient temperature	-40 to 70 °C (-40 to 160 °F)	

## Operating Parameters

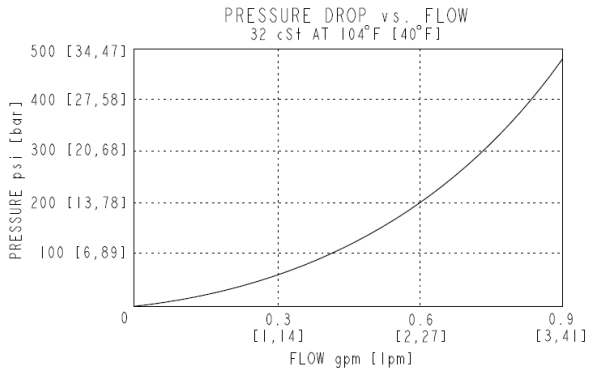
Fluids	Mineral based or synthetic hydraulic fluid with lubricating properties.
Fluid viscosity range	7.4 to 420 cSt
Maximum operating contamination level	20/18/14 Per ISO 4406

## Properties

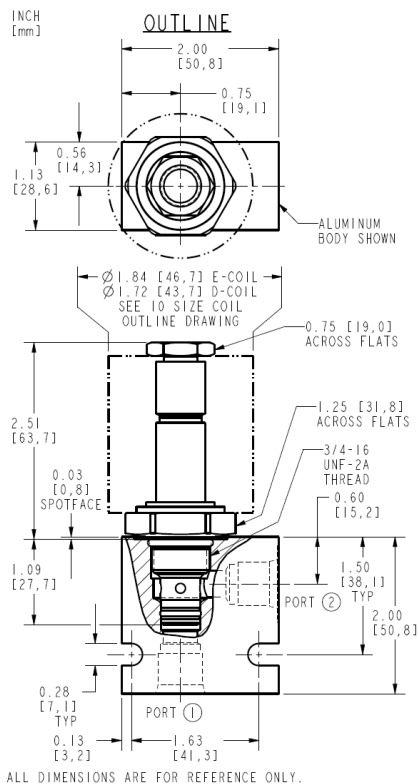
Unit weight	0.18 kg (0.39 lb)
Internal wetted surface area	84 cm <sup>2</sup> (13 in <sup>2</sup> )



## Performance



## Dimensions



## Installation Specifications

Cavity	VC08-2
Cartridge installation torque	25.8 to 28.5 N-m (19 to 21 ft-lb)
Maximum allowable torque	54.2 N-m (40 ft-lb)
Coil nut torque	5.4 to 6.8 N-m (4 to 5 ft-lb)
Orientation restriction	None

## Accessories

Seal kit	SK38-2X-M	- Note: X = Seal option
----------	-----------	-------------------------

## Order Code



## ORDERING INFORMATION:

SV58-26-X-X-XX XX

BASE MODEL NUMBER

PORTING:  
CARTRIDGE ONLY - 0

SEAL OPTION:-  
BUNA N - N  
FLUOROCARBON - V  
\* POLYURETHANE - P

COIL VOLTAGE:-  
LESS COIL - 00  
12 VDC COIL - 12  
24 VDC COIL - 24

\*\* COIL TERMINATIONS:-  
E-COIL OPTIONS:  
METRI-PACK CONNECTOR - EY  
DEUTSCH CONNECTOR - ER

D-COIL OPTIONS:  
(2) LEADWIRES 18"  
STANDARD LENGTH - DL  
DUAL SPADES SAE J858a - DS

\* POLYURETHANE SEALS  
RECOMMENDED FOR  
OPERATING PRESSURES  
ABOVE 3500psi [241 bar]

**Model Options****SV58-26EG-H-J-L****E Manual Override**

CODE	DESCRIPTION
BLANK	NONE
M	Two Position Override, Red Knurled Knob

**G Screen**

CODE	DESCRIPTION
BLANK	NONE
S	100 Mesh Screen

**H Line Body**

CODE	DESCRIPTION
0	No Body
4T	Aluminum SAE 4
6T	Aluminum SAE 6
8T	Aluminum SAE 8
6TD	Ductile Iron SAE 6
8TD	Ductile Iron SAE 8
2B	Aluminum BSPP 1/4" (2)
3B	Aluminum BSPP 3/8" (3)
3BD	Ductile Iron BSPP 3/8" (3)

**J Seal**

CODE	DESCRIPTION
N	Buna-N
V	Fluorocarbon



CODE	DESCRIPTION
------	-------------

P	Polyurethane
---	--------------

**L Coil**

CODE	DESCRIPTION
0	No Coil
10DG	10 VDC, D-Coil, DIN 43650
10DL	10 VDC, D-Coil, Dual Lead Wires
10DR/D	10 VDC, D-Coil, Deutsch with Diode
10DS	10 VDC, D-Coil, Dual Spade
10EL	10 VDC, E-Coil, Dual Lead Wires
10ER	10 VDC, E-Coil, Deutsch
10ER/Z	10 VDC, E-Coil, Deutsch with Zener Diode
12DG	12 VDC, D-Coil, DIN 43650
12DL	12 VDC, D-Coil, Dual Lead Wires, 18 inches long
12DL/36	12 VDC, D-Coil, Dual Lead Wires, 36 inches long
12DL/W	12 VDC, D-Coil, Dual Lead Wires with Weatherpak
12DL/W/D	12 VDC, D-Coil, Dual Lead Wires with Weatherpak with Diode
12DR	12 VDC, D-Coil, Deutsch
12DR/D	12 VDC, D-Coil, Deutsch with Diode
12DR/Z	12 VDC, D-Coil, Deutsch with Zener Diode
12DS	12 VDC, D-Coil, Dual Spade
12EG	12 VDC, E-Coil, DIN 43650
12EJ	12 VDC, E-Coil, AMP Jr.
12EL	12 VDC, E-Coil, Dual Lead Wires, 18 inches long
12EL/36	12 VDC, E-Coil, Dual Lead Wires, 36 inches long
12EL/W/Z	12 VDC, E-Coil, Dual Lead Wires with WeatherPak and Zener Diode
12EL/Z	12 VDC, E-Coil, Dual Lead Wires with Zener Diode
12ER	12 VDC, E-Coil, Deutsch
12ER/Z	12 VDC, E-Coil, Deutsch with Zener Diode
12EY	12 VDC, E-Coil, Metri-Pack 150
12EY/Z	12 VDC, E-Coil, Metri-Pack 150 with Zener Diode
20DR/D	20 VDC, D-Coil, Deutsch with Diode
20DS	20 VDC, D-Coil, Dual Spade
20ER	20 VDC, E-Coil, Deutsch
24AG	24 VDC, D-Coil, DIN 43650
24AP	24 VDC, D-Coil, 1/2" Conduit and Dual Lead Wires
24DG	24 VDC, D-Coil, DIN 43650
24DL	24 VDC, D-Coil, Dual Lead Wires
24DL/W	24 VDC, D-Coil, Dual Lead Wires with Weatherpak
24DL/W/D	24 VDC, D-Coil, Dual Lead Wires with Weatherpak with Diode
24DP	24 VDC, D-Coil, 1/2" Conduit and Dual Lead Wires
24DR	24 VDC, D-Coil, Deutsch
24DR/D	24 VDC, D-Coil, Deutsch with Diode
24DS	24 VDC, D-Coil, Dual Spade



CODE	DESCRIPTION
24EG	24 VDC, E-Coil, DIN 43650
24EJ	24 VDC, E-Coil, AMP Jr.
24EL	24 VDC, E-Coil, Dual Lead Wires, 18 inches long
24EL/36	24 VDC, E-Coil, Dual Lead Wires, 36 inches long
24EL/W/Z	24 VDC, E-Coil, Dual Lead Wires with WeatherPak and Zener Diode
24ER	24 VDC, E-Coil, Deutsch
24ER/Z	24 VDC, E-Coil, Deutsch with Zener Diode
24EY	24 VDC, E-Coil, Metri-Pack 150
24EY/Z	24 VDC, E-Coil, Metri-Pack 150 with Zener Diode
36DS	36 VDC, D-Coil, Dual Spade
115AG	115 VAC, D-Coil, DIN 43650
115AP	115 VAC, D-Coil, 1/2" Conduit and Dual Lead Wires
230AG	230 VAC, D-Coil, DIN 43650
230AP	230 VAC, D-Coil, 1/2" Conduit and Dual Lead Wires