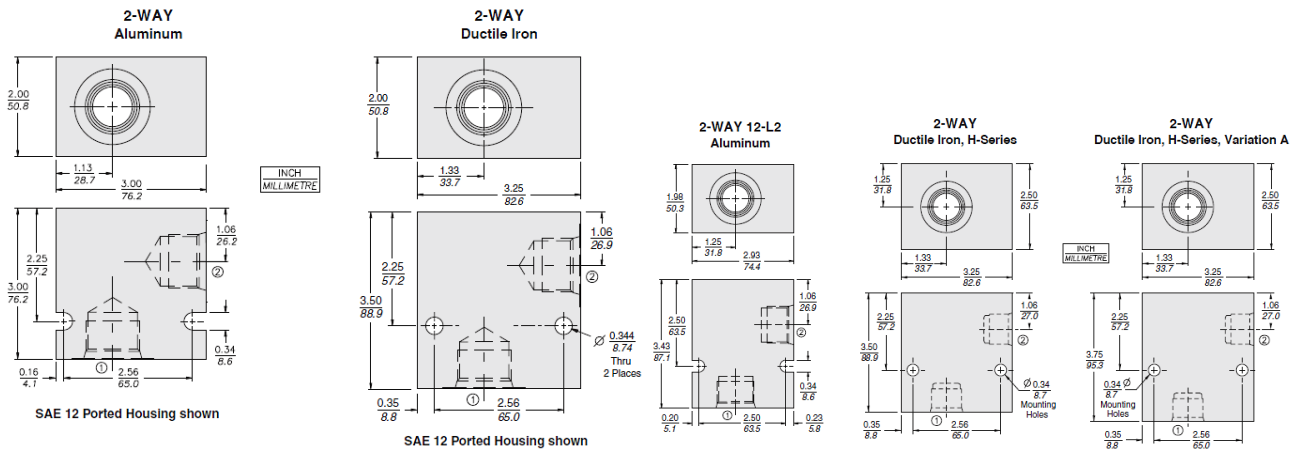




Ratings

Pressure rating	207 bar (3000 psi)	- Note:
	Aluminum	
	345 bar (5000 psi)	- Note:
	Ductile iron	
Material	6061-T6511	- Note:
	Aluminum	
	Dura-bar	- Note: Ductile iron

Dimensions



Part Numbers

Part no.	Model code	Material	Port 1	Port 2	Port 3	Port 4	Port 5	Port 6	Mfg. loc.	Note
7020650	08T	Aluminum	SAE 08	SAE 08					U.S.	Designed for use with PV72-20, PV72-21, and FR12-23 valves
7022240	10T	Aluminum	SAE 10	SAE 10					U.S.	
7020660	10T	Aluminum	SAE 10	SAE 10					U.S.	Designed for use with PV72-20, PV72-21, and FR12-23 valves
7022250	12T	Aluminum	SAE 12	SAE 12					U.S.	
7020670	12T	Aluminum	SAE 12	SAE 12					U.S.	Designed for use with PV72-20, PV72-21, and FR12-23 valves
7022260	16T	Aluminum	SAE 16	SAE 16					U.S.	
7022530	8B	Aluminum	1" BSP	1" BSP					U.K.	
7158410	12HT	Ductile iron	SAE 12	SAE 12					U.S.	
7160020	12HT	Ductile iron	SAE 12	SAE 12					U.S.	Designed for use with HPV12-20 and HPV12-21 valves
7155010	12TD	Ductile iron	SAE 12	SAE 12					U.S.	
7155020	16TD	Ductile iron	SAE 16	SAE 16					U.S.	
7155060	8BD	Ductile iron	1" BSP	1" BSP					U.K.	