

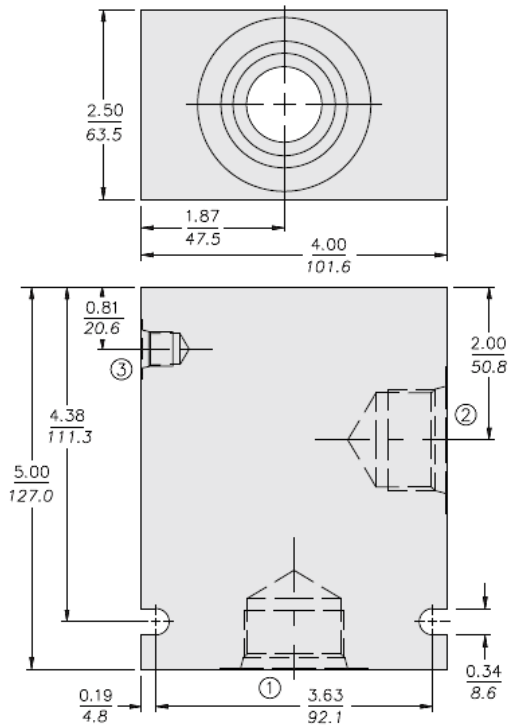


Ratings

Pressure rating	207 bar (3000 psi)	- Note:
	Aluminum	
Material	345 bar (5000 psi)	- Note:
	Ductile iron	
Material	6061-T6511	- Note:
	Aluminum	
	Dura-bar	- Note: Ductile iron

Dimensions

3-WAY Short
Aluminum or Ductile Iron



Part Numbers

CAVITY: VC20-S3

P/N: 7023130 Code: 16T Material: ALUMINUM

Port 1	Port 2	Port 3	Port 4	Port 5	Port 6
SAE 16	SAE 16	SAE 6			

P/N: 7153210 Code: 16TD Material: DUCTILE IRON

Port 1	Port 2	Port 3	Port 4	Port 5	Port 6
SAE 16	SAE 16	SAE 6			