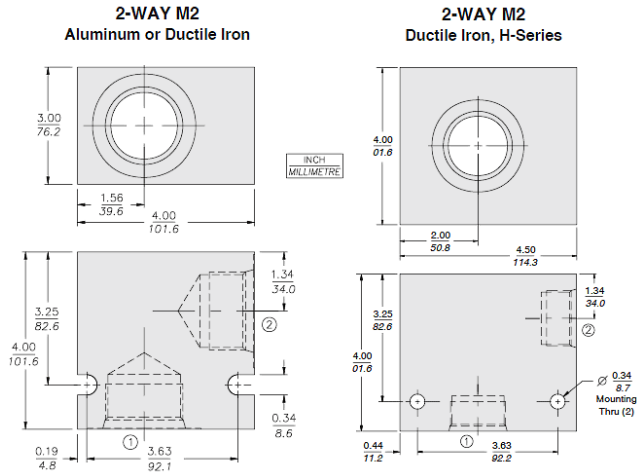




Ratings

Pressure rating	207 bar (3000 psi)	- Note:
	Aluminum	
	345 bar (5000 psi)	- Note:
	Ductile iron	
Material	6061-T6511	- Note:
	Aluminum	
	Dura-bar	- Note: Ductile iron

Dimensions



Part Numbers

CAVITY: HVC42-M2

P/N: 7157310 Code: 20HT Material: DUCTILE IRON

Port 1	Port 2	Port 3	Port 4	Port 5	Port 6
SAE 20	SAE 20				

CAVITY: VC42-M2

P/N: 7022580 Code: 20T Material: ALUMINUM

Port 1	Port 2	Port 3	Port 4	Port 5	Port 6
SAE 20	SAE 20				

P/N: 7154010 Code: 20TD Material: DUCTILE IRON

Port 1	Port 2	Port 3	Port 4	Port 5	Port 6
SAE 20	SAE 20				