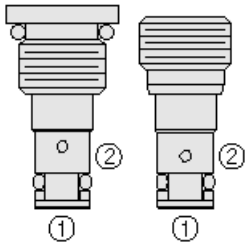




Overview



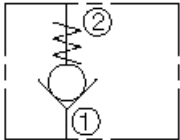
Description

The CV04-20 is a screw-in, cartridge style, hydraulic check valve for use as a blocking or load-holding device.

Operation

The cartridge valve allows flow from port 1 to 2, while normally blocking flow in the opposite direction. The cartridge valve has a fully guided check which is spring biased closed until sufficient pressure is applied at port 1 to open to port 2.

Symbol



Ratings

Pressure Ratings

Pressure rating 241 bar (3500 psi)

Flow Ratings

Flow rating 7.6 lpm (2 gpm)

Maximum internal leakage 0.10 ml/min (2 drops/min) - **Note:** At 241 bar (3500 psi)

Temperature Ratings

Operating fluid temperature	-40 to 100 °C (-40 to 212 °F)	- Note: With buna N seals
	-26 to 204 °C (-15 to 400 °F)	- Note: With fluorocarbon seals
	-54 to 107 °C (-65 to 225 °F)	- Note: With polyurethane seals
Storage temperature	-40 to 70 °C (-40 to 160 °F)	
Ambient temperature	-40 to 90 °C (-40 to 194 °F)	

Other Ratings

Corrosion protection 960 hr salt spray per ASTM b117 (gcv04-20)

Operating Parameters

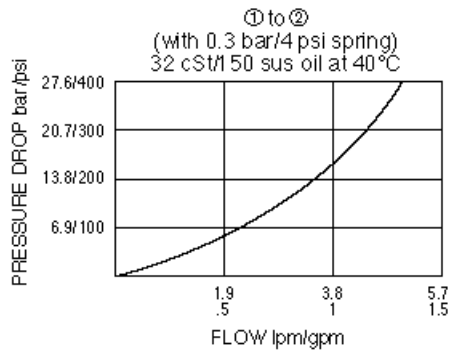
Fluids	Mineral based or synthetic hydraulic fluid with lubricating properties
Fluid viscosity range	7.4 to 420 cSt
Maximum operating contamination level	20/18/14 per ISO 4406

Properties

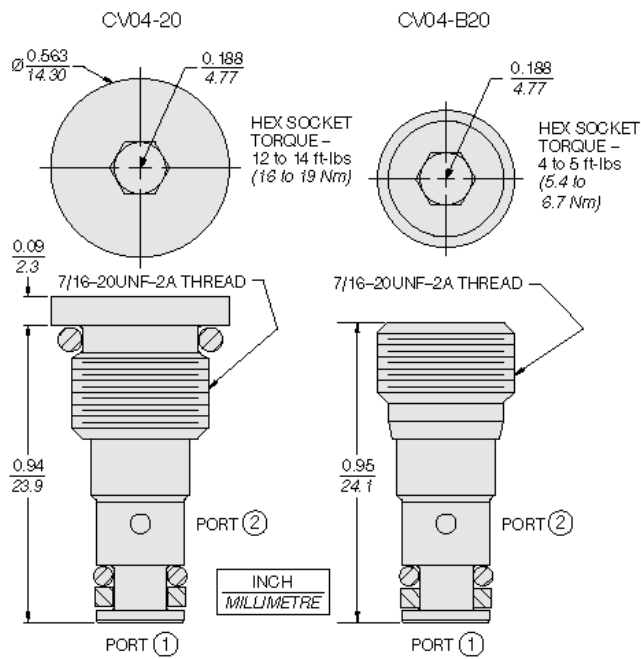
Unit weight	0.01 kg (0.03 lb)
Internal wetted surface area	16 cm ² (2.5 in ²)



Performance



Dimensions



Installation Specifications

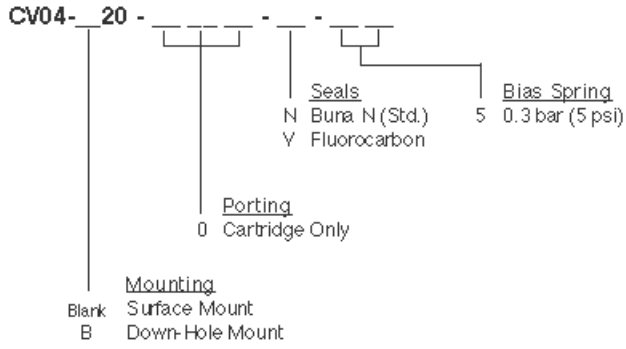
Cavity	VC04-2
Cartridge installation torque	16.3 to 19.0 N-m (12 to 14 ft-lb)
Maximum allowable torque	27.1 N-m (20 ft-lb)
Orientation restriction	None

Accessories

Seal kit	SK04-2X-T	- Note: X = seal option
Housings		



Order Code



POSITION	CODE	DESCRIPTION
		CV04-20-H-J-R
H		Line Body
H	0	No Body
J		Seal
J	N	Buna-N
J	V	Fluorocarbon
J	P	Polyurethane
J	U	PPDI Urethane
R		Spring
R	5	5 psi Bias Spring