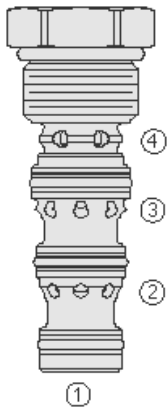




Overview



Description

The DC10-40X is a cartridge style, dual pilot operated check valve for use in blocking or load holding circuits with general purpose hydraulic fluids

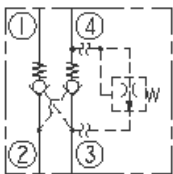
Operation

The valve has option of thermal relief from port 4 to 3

Features

- Hardened seat for long life and low leakage.
- Low pressure drop.
- Optional thermal relief.

Symbol



Ratings

Pressure Ratings

Pressure rating	241 bar (3500 psi)
Thermal relief crack pressure	310 to 386 bar (4500 to 5600 psi)
Pilot ratio	3:1

Flow Ratings

Flow rating	45.4 lpm (12 gpm) 60.6 lpm (16 gpm)	- Note: Maximum
Thermal relief leakage	0.25 ml/min (5 drops/min)	- Note: At up to 85% of crack pressure
Maximum check valves leakage	0.25 ml/min (5 drops/min)	- Note: At 207 bar (3000 psi)

Temperature Ratings

Operating fluid temperature	-40 to 100 °C (-40 to 212 °F)	- Note: With buna N seals
	-26 to 204 °C (-15 to 400 °F)	- Note: With fluorocarbon seals
	-54 to 107 °C (-65 to 225 °F)	- Note: With polyurethane seals
Storage temperature	-40 to 70 °C (-40 to 160 °F)	
Ambient temperature	-40 to 90 °C (-40 to 194 °F)	

Other Ratings

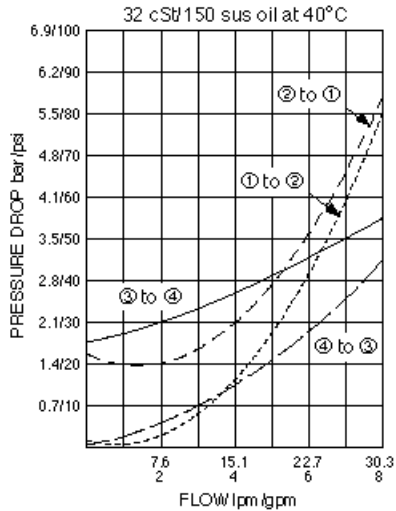
Corrosion protection	Gdc10-40x - 960 hour salt spray per ASTM b117
----------------------	---

Properties

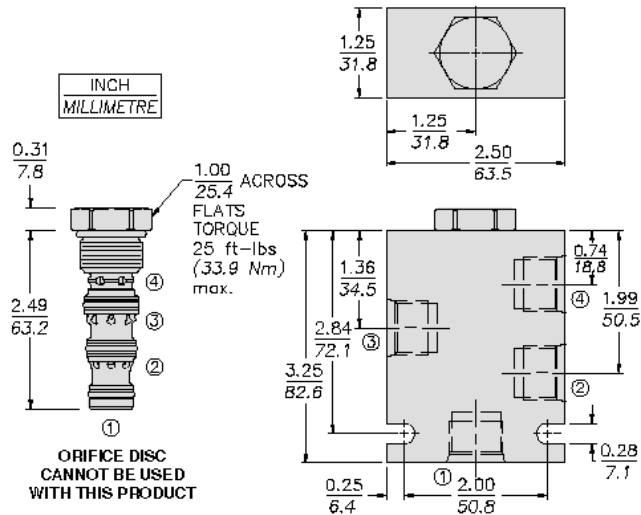
Unit weight	0.14 kg (0.30 lb)
Internal wetted surface area	174 cm ² (27 in ²)



Performance



Dimensions



Materials

Materials

Cartridge: Weight: 0.13 kg (0.28 lb); Steel with hardened work surfaces. Zinc-plated exposed surfaces; Buna N O-rings and polyester elastomer back-ups standard.

Standard Ported Body: Weight: 0.34 kg (0.75 lb); Anodized high-strength 6061 T6 aluminum alloy, rated to 207 bar (3000 psi). Ductile iron bodies available; dimensions may differ.

Installation Specifications

Cavity	VC10-4
Cartridge installation torque	32.6 to 35.4 N-m (24 to 26 ft-lb)
Orientation restriction	None

Accessories

Seal kit	SK10-4N-MMM	- Note: Buna N
	SK10-4V-MMM	- Note: Fluorocarbon
	SK10-4P-MMM	- Note: Polyurethane
Housings		



Order Code

POSITION	CODE	DESCRIPTION
		DC10-40-H-J-R
H		Line Body
H	0	No Body
H	6T	Aluminum SAE 6
H	8T	Aluminum SAE 8
H	6TD	Ductile Iron SAE 6
J		Seal
J	N	Buna-N
J	V	Fluorocarbon
J	P	Polyurethane
J	U	PPDI Urethane
R		Spring
R	25	25 psi Bias Spring
R	70	70 psi Bias Spring
R	115	115 psi Bias Spring

