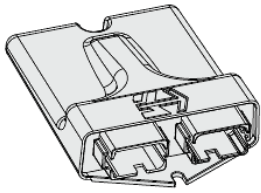




Overview



Description

The **ECDR-0506A** is a robust electronic driver for solenoid-operated proportional valves. Its 32-bit processor provides high calculating power. It has six inputs that are configurable to multiple settings ranging from digital to analog. Five outputs, including four PWM closed loop outputs and one PWM open loop output, have configurable frequency. A single CAN bus allows CANopen and SAE J1939 communication protocols. The red/green LED signal provides quick status check. The molded enclosure has a scratch-resistant finish.

The ECDR-0506A controller can be used in a wide range of applications, including transmission controls, vehicle traction controls, joystick controls, and harvesting function controls. It can be specified for applications previously using the HydraForce EVDR4, EVDR5, or EVDR7.

ECDR-0506A is configured with HF-Impulse software: an easy to use, web-accessible configuration tool available as a free download at www.hydraforce.com/electronics.

Operation

The controller accepts input from commonly available analog or SAE J1939 CAN/CANopen operator interface devices (joystick, potentiometer, sensors, etc.) The input signal drives the output current.

Diagnostic Features

- Internal diagnostics make it possible to detect over/under voltage conditions and coil failure.
- Outputs have short-circuit protection.
- Supply voltage below 9 Vdc or above 32 Vdc will cause the controller to go to the safe mode of valve OFF and automatically reset.
- The red/green bi-color LED provides quick status check.

Ratings

Electrical Parameters

Power requirements	9 to 32 Vdc
Maximum current draw	4 A

Processor and Memory

Processor	ARM 32-bit Cortex [®] , ₄ -M3 CPU, 72 MHz
Flash memory	128 kB
RAM	32 kB

Properties

Mating connectors	Deutsch DT06-12SA Deutsch DT06-12SB
Diagnostic LED	bi-color (red/green) LED
Environmental rating	IP67
Operating temperature	-40 to 85 °C (-40 to 185 °F)
Storage temperature	-40 to 85 °C (-40 to 185 °F)
Unit weight	0.336 kg (0.8 lb)
Interface software	HF-Impulse
Housing material	Noryl [®] , ₆ glass-filled PPE/PPO



I/O

Number of inputs 6
 Number of outputs 5 - **Note:** 4 closed-loop and one open-loop

Control Inputs - Analog

Voltage 0 to 5 Vdc
 0 to 10 Vdc
 Current 0 to 20 mA
 4 to 20 mA
 Resistive 0 to 6000 Ohm
 Temperature ERT 120 (HydraForce temperature sensor)

Control Inputs - Digital

Switch Switch to battery
 Floating
 Switch to ground
 PWM 0 to 100% - **Note:** 60 to 5000 Hz
 Frequency 60 to 10 000 Hz
 4 to 2000 Hz
 4 to 10 000 Hz

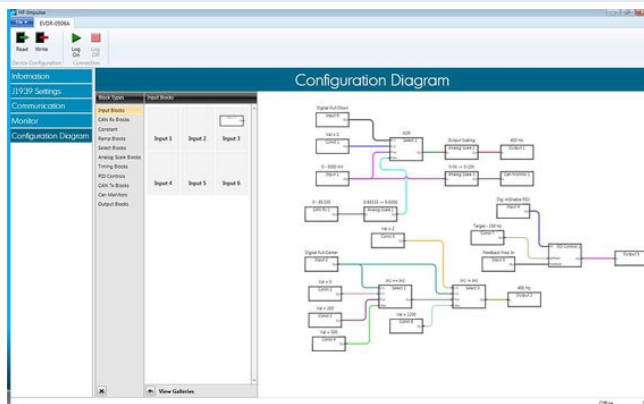
Outputs

Current control 0 to 2000 mA - **Note:** Continuous
 PWM control 0 to 100% - **Note:** Duty cycle
 PWM frequency range 40 to 400 Hz
 Reference voltage +5 v - **Note:** 200 mA Maximum

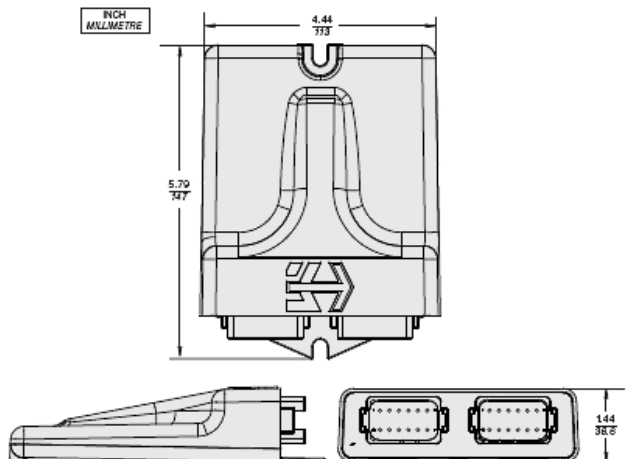
Communications

CAN Ports 1 CAN 2.0B - **Note:** SAE J1939

Configuration Example



Dimensions





To Order

Valve Driver Model ECDR-0506A: Part No. 4208560

Configuration Software for ECDR-0203A â€” HF-Impulse: Free download from www.hydraforce.com/electronics.

Mating Connector Kit:

Gray, Part No. 4001956

black, Part No. 4001965

Test Harness: (For testing and bench operation)

Connector X1, Part No. 4000307

Connector X2, Part No. 4000308

USB-CAN Programming Adapter: Kvaser Leaf Lite HS â€” Part No. 4000371, also available from www.kvaser.com

Temperature Sensor â€” ERT 120: Part No. 4206200

Mating Connector Kit for ERT 120 Temperature Sensor â€” Deutsch Model DTM06-2SP Part No. 4001970