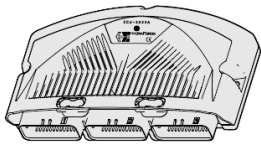




Overview



Description

The **ECU-3233A** electronic controller is a powerful multi-function programmable controller designed to withstand the real-world environmental demands of the off-highway mobile market. With a 32-bit CPU and four CAN ports, the 65 flexible I/O pins can be configured in multiple ways. It has a light, leak proof, chemical-resistant aluminum/plastic enclosure, indicator LED, Gore-Tex breather and three AMP35 connectors. It is programmable with CoDeSys 2.3, which you can download from the [HydraForce Electronics Portal](#) at no charge.

Features

- CE Certified, complies with WEEE, European Community Directive 2002/96/EC/for waste electrical and electronic equipment, RoHS, European Community Directive 2011/65/EU restricting hazardous substances
- Reliable operation in real-world temperature conditions
- Robust, light, leak proof, chemical-resistant aluminum/plastic enclosure
- Three-point anchorage confirms firm mounting, even on irregular surfaces
- Inputs and outputs are protected against short circuits
- Internal diagnostic capability to detect overvoltage and overtemperature conditions
- Signal LED for quick status check and fault detection
- Temperature monitoring
- Four CAN ports

Ratings

Electrical Parameters

| | | |
|------------------------|---------------|---|
| Operating voltage | 8.5 to 36 Vdc | |
| Idle power consumption | 2.2 W | - Note: +24 Vdc, no external load |
| Overvoltage | 43 Vdc | - Note: Overvoltage protection from 43 to 97.5 V |
| Undervoltage | 7.5 Vdc | - Note: Undervoltage reset |
| Reference voltages | +5 Vdc | - Note: Limit 350 mA all pins (2 total) |
| | +10 Vdc | - Note: Limit 250 mA all pins (3 total) |

Processor and Memory

| | | |
|---------------------|---------------------|---|
| Processor | 32 bit CPU, 128 MHz | |
| Flash memory | 8 MB | - Note: 3 MB for PLCopen application |
| RAM | 8 MB | - Note: 1 MB for PLCopen application variables |
| Non-volatile memory | 512 kB | - Note: Error logs, system parameters |

Temperature Ratings

| | |
|-----------------------------|-----------------------------|
| Operating temperature range | -40 to 85 °C (-40 to 185°F) |
| Storage temperature range | -40 to 85 °C (-40 to 185°F) |

Properties

| | |
|--------|-------------------|
| Weight | 0.95 kg (2.09 lb) |
|--------|-------------------|

Environmental Ratings

| | | |
|--------------------------|------|-------------------------------|
| Ingress protection class | IP67 | - Note: per IEC 660529 |
|--------------------------|------|-------------------------------|

Communication

| | | |
|---------------------|----------------------|------------------------|
| Network connections | CAN 2.0B Ethernet | - Note: 4 ports |
|---------------------|----------------------|------------------------|



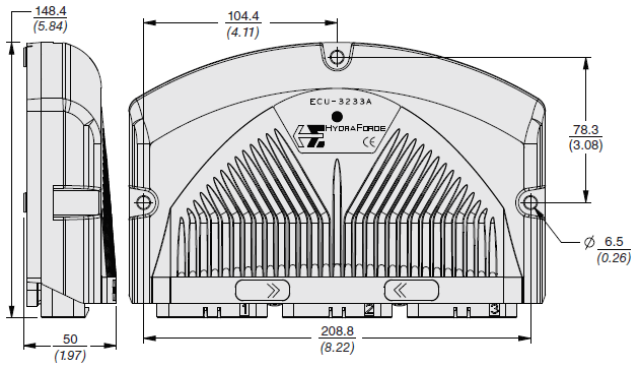
I/O

Inputs/Outputs 65 Total

| MAX I/O | DI (SWG) | DI (SWB) | PI | AI | Current feedback | PWM (source) | DO (source) | DO (sink) |
|---------|----------|----------|----|----|------------------|--------------|-------------|-----------|
| 8 | | X | | | | X | X | |
| 12 | | X | | X | | X | X | |
| 8 | | X | | X | | X | X | |
| 4 | | X | | | | | | X |
| 11 | X | X | | X | | | | |
| 18 | X | X | X | | | | | |
| 4 | | X | X | | | | | |
| 65 | 8 | 9 | 5 | 4 | 4 | 8 | 8 | 1 |

Note: The ECU-3233A has inputs and outputs that can be configured in multiple ways. For more information, consult the Technical Reference Manual.

Dimensions



To Order

Controller: Model ECU-3233A Part No. 4000343

AmpSeal Connectors:

35-Pin Grey (X1): Part No. 4000381

35-Pin Black (X2): Part No. 4002746

35-Pin Blue (X3): Part No. 4002747

AmpSeal Socket/Plug:

Socket Contacts Gold (100 pc.): Part No. 4000364

Backshell: Part No. 4000382

Cavity Sealing Plug: Part No. 4000365

CoDeSys Programming Software: available from HydraForce Electronics Portal as free download.

Diagnostic Kit: Part No. 4000372