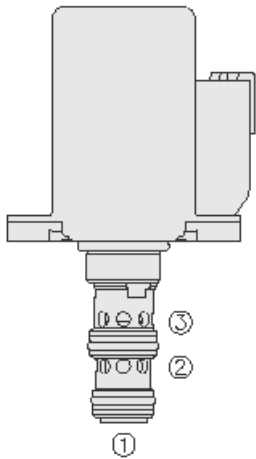




Overview



Description

This is a direct-acting, spool-type, proportional, pressure reducing/relieving valve. It is a drop-in, flange mounted cartridge type valve for use with mineral based or synthetic (with lubricating properties) hydraulic fluids. The coil is an integral part of the valve and is not serviceable. The regulated pressure is proportional to the input electrical current in the pressure ranges shown.

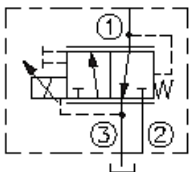
Manual Override Operation

Rotate manual override screw clockwise until desired regulated pressure is achieved.

Features

- 10, 12, 20 or 24 VDC coils.
- 960 hour salt spray protection.
- Economical drop-in style.
- Several push-on termination options.
- Integral waterproof coil standard.
- Optional 142 micron screen at port 2.

Symbol



Ratings

Pressure Ratings

Pressure rating	241 bar (3500 psi) 34.5 bar (500 psi) 17.2 bar (250 psi)	- Note: Port 2 - Note: Port 3 - Note: Port 3 - for manual override option
Burst pressure	345 bar (5000 psi)	- Note: Ports 1 and 2 pressurized
Control pressure at maximum control current	30 bar (500 psi)	

Flow Ratings

Flow rating	18.9 lpm (5.0 gpm)	
Maximum internal leakage	50 ml/min (3 in ³ /min) 100 ml/min (6 in ³ /min)	- Note: De-energized, at 34.5 bar (500 psi) - Note: Energized at imax, 34.5 bar (500 psi)
Hysteresis per cent	5 %	- Note: Of maximum control pressure (PWM) 100 Hz

Other Ratings

Cycle life	One million cycles
Environmental rating	Ip69k

Temperature Ratings

Operating fluid temperature	-40 to 149 °C (-40 to 300 °F) -26 to 204 °C (-15 to 400 °F)	- Note: With HNBR seals - Note: With fluorocarbon seals
Storage temperature	-40 to 70 °C (-40 to 160 °F)	
Ambient temperature	-40 to 80 °C (-40 to 176 °F)	

Operating Parameters

Fluids	Mineral based or synthetic hydraulic fluid with lubricating properties
Fluid viscosity range	7.4 to 420 cSt
Maximum operating contamination level	20/18/14 per ISO 4406



Properties

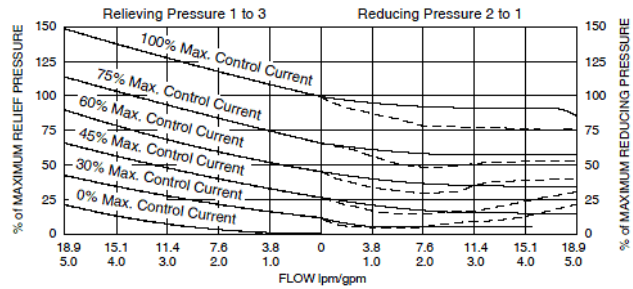
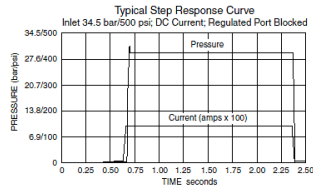
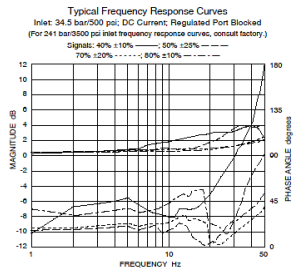
Unit weight	0.32 kg (0.70 lb)	
Internal wetted surface area	173 cm ² (26.8 in ²)	- Note: EHPR98-T38
	203 cm ² (31.4 in ²)	- Note: EHPR98-T38M

Electrical Parameters

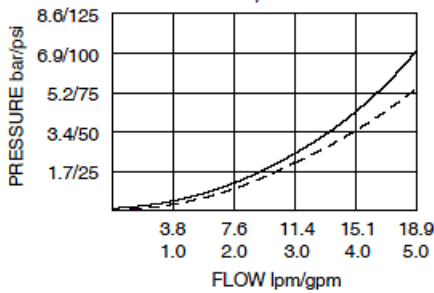
Maximum control current	1.38 A	- Note: (coil) 10 V
	1.30 A	- Note: (coil) 12 V
	0.69 A	- Note: (coil) 20 V
	0.65 A	- Note: (coil) 24 V
Valve inductance	80 mH	

Performance

Typical Relieving/Reducing Pressure vs. Flow Characteristic
 Typical Relieving Pressure at Various %s of Maximum Control Current
 Inlet: 34.5 bar/500 psi —; Inlet 241 bar/3500 psi ---
 (Curves overlap on Relieving Pressure side of graph); 150 Hz PWM (Both Directions)

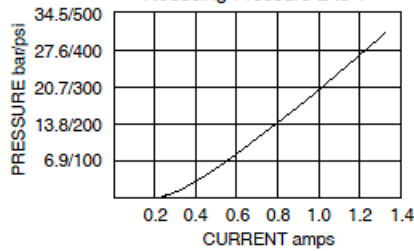


Pressure Drop vs. Flow Cartridge Only
 1 to 3 —; 2 to 1 - - - - -



Reducing Pressure vs. Current

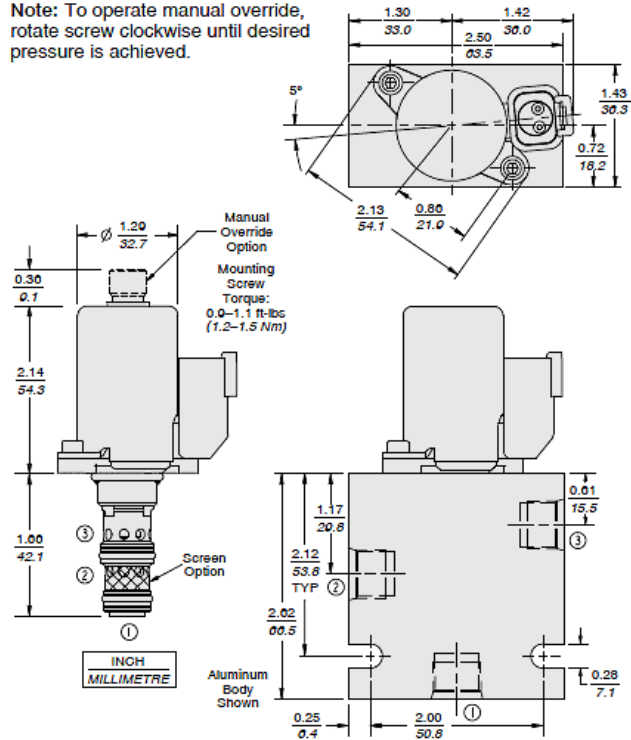
Inlet: 34.5 bar/500 psi; 150 Hz PWM; 12V Coil
 Reducing Pressure 2 to 1





Dimensions

Note: To operate manual override, rotate screw clockwise until desired pressure is achieved.



Installation Specifications

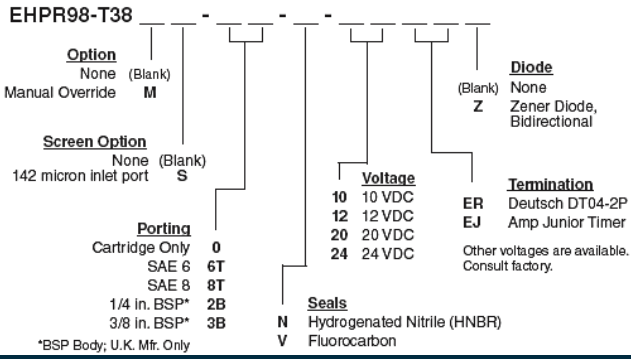
Cavity	VC-T011
Installation type	Flange mounted
Orientation restriction	None
Mounting screw torque	1.2 to 1.5 N-m (0.9 to 1.1 ft-lb)

Accessories

Mounting screw	M4 x 12, hf p/n: 4001015 (sold separately)
Valve body	Hf p/n 71570x0 (sold separately)
Seal kit	SK-T011-X - Note: X = seal option



Order Code



POSITION	CODE	DESCRIPTION
		EHPR98-T38EG-H-J-KL
E		Manual Override
E	BLANK	NONE
E	M	Minimum Regulated Pressure Override, 3/16" Internal Hex
G		Screen
G	BLANK	NONE
G	S	100 Mesh Screen
H		Line Body
H	0	No Body
J		Seal
J	N	Buna-N
J	V	Fluorocarbon
K		Coil Voltage
K	10	10 VDC
K	12	12 VDC
K	20	20 VDC
K	24	24 VDC
L		Coil Termination
L	EJ	E-Coil, AMP Jr.
L	ER	E-Coil, Deutsch