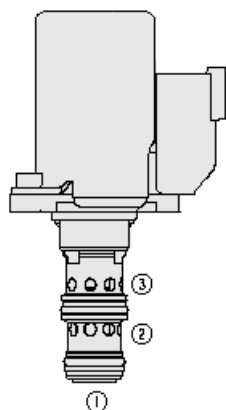




Overview



Description

This is a direct-acting, spool-type, proportional, pressure reducing/relieving valve. It is a drop-in, flange mounted cartridge type valve for use with mineral based or synthetic (with lubricating properties) hydraulic fluids. The coil is an integral part of the valve and is not serviceable. The regulated pressure is proportional to the input electrical current in the pressure ranges shown.

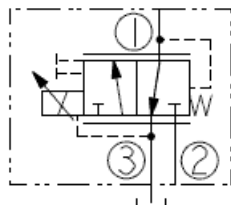
Manual Override Operation

Rotate manual override screw clockwise until desired regulated pressure is achieved.

Features

- 10, 12, 20 or 24 VDC coils.
- 960 hour salt spray protection.
- Economical drop-in style.
- Several push-on termination options.
- Integral waterproof coil standard.
- Optional 142 micron screen at port 2.

Symbol



Ratings

Pressure Ratings

Pressure rating	241 bar (3500 psi)	- Note: Port 2
	57 bar (820 psi)	- Note: Port 1
	34 bar (500 psi)	- Note: Port 3
Burst pressure	379 bar (5500 psi)	- Note: Port 1 and 2 pressurized
Control pressure at maximum control current	56.6 bar (820 psi)	

Flow Ratings

Flow rating	18.9 lpm (5.0 gpm)	
Maximum internal leakage	393 ml/min (24 in ³ /min)	- Note: Energized, at 241 bar (3500 psi)
	100 ml/min (6 in ³ /min)	- Note: De-energized, at 241 bar (3500 psi)
Hysteresis per cent	4 %	- Note: Of maximum control pressure (PWM) 100 Hz

Other Ratings

Cycle life	One million cycles
Environmental rating	Ip69k

Temperature Ratings

Operating fluid temperature	-40 to 149 °C (-40 to 300 °F)
Storage temperature	-40 to 70 °C (-40 to 160 °F)
Ambient temperature	-40 to 80 °C (-40 to 176 °F)

Operating Parameters

Fluids	Mineral based or synthetic hydraulic fluid with lubricating properties
Fluid viscosity range	7.4 to 420 cSt
Maximum operating contamination level	20/18/14 per ISO 4406



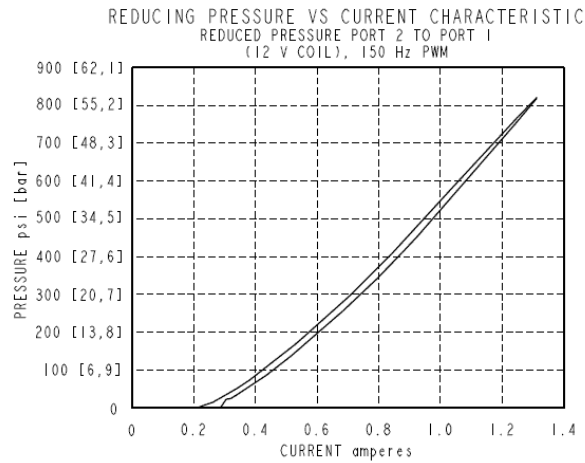
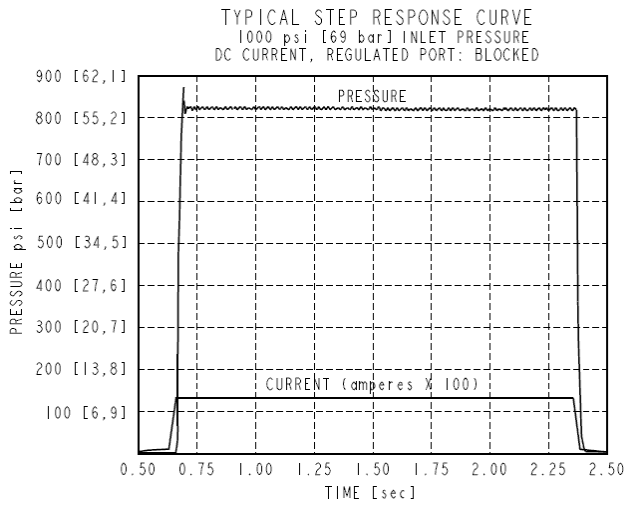
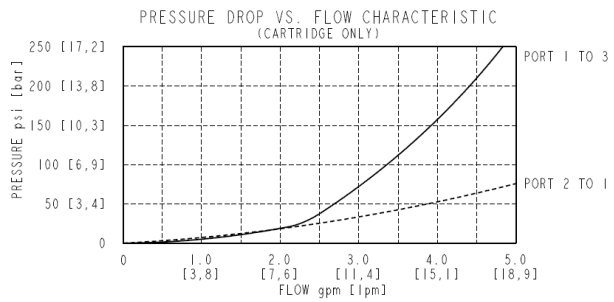
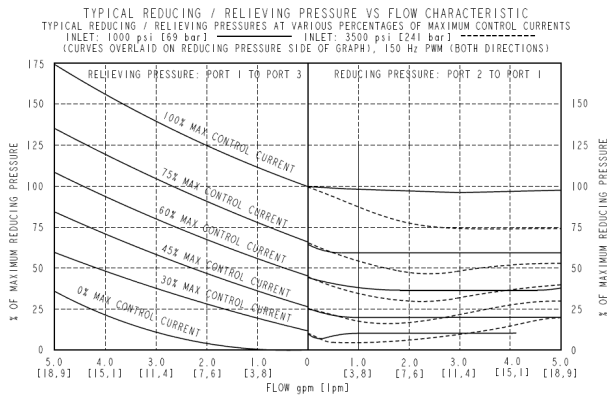
Properties

Unit weight	0.32 kg (0.70 lb)	
Internal wetted surface area	169 cm ² (26.22 in ²)	- Note: EHPR98-T38B
	199 cm ² (30.82 in ²)	- Note: EHPR98-T38BM

Electrical Parameters

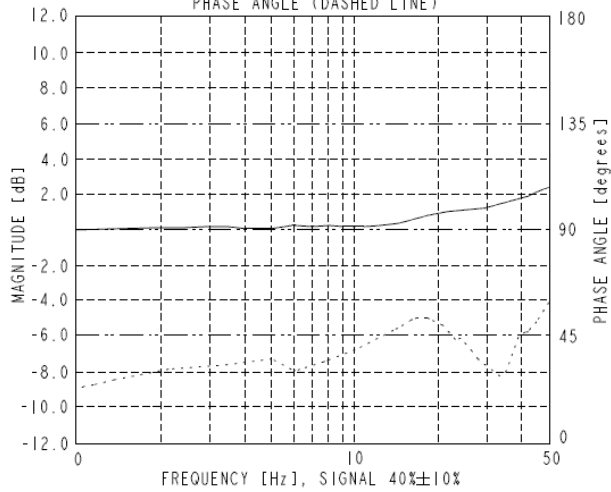
Maximum control current	1.38 A	- Note: (coil) 10 V
	1.30 A	- Note: (coil) 12 V
	0.69 A	- Note: (coil) 20 V
	0.65 A	- Note: (coil) 24 V
	80 mH	
Valve inductance		

Performance

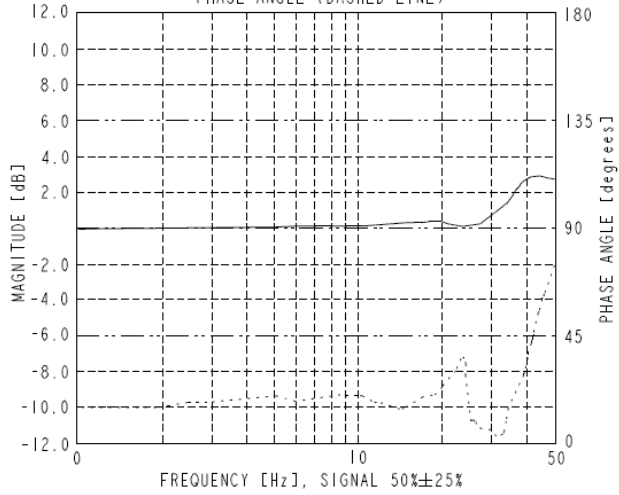




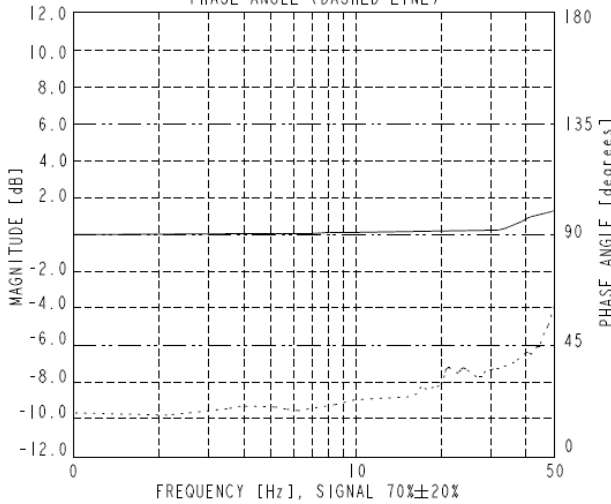
TYPICAL FREQUENCY RESPONSE CURVE
 3500 psi [241 bar] INLET PRESSURE
 DC CURRENT, REGULATED PORT: BLOCKED
 MAGNITUDE (SOLID LINE)
 PHASE ANGLE (DASHED LINE)



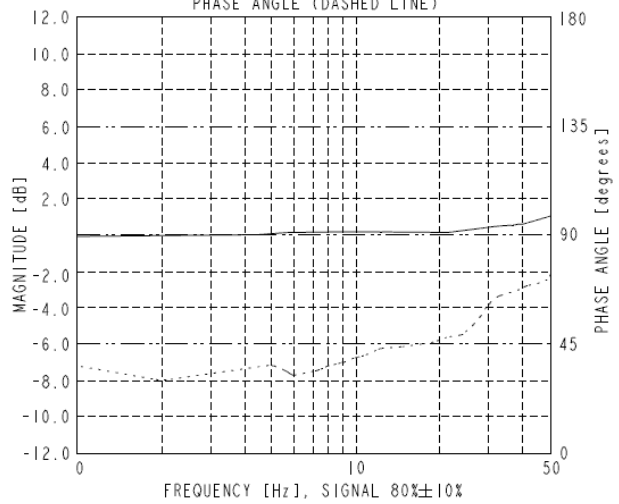
TYPICAL FREQUENCY RESPONSE CURVE
 3500 psi [241 bar] INLET PRESSURE
 DC CURRENT, REGULATED PORT: BLOCKED
 MAGNITUDE (SOLID LINE)
 PHASE ANGLE (DASHED LINE)



TYPICAL FREQUENCY RESPONSE CURVE
 3500 psi [241 bar] INLET PRESSURE
 DC CURRENT, REGULATED PORT: BLOCKED
 MAGNITUDE (SOLID LINE)
 PHASE ANGLE (DASHED LINE)



TYPICAL FREQUENCY RESPONSE CURVE
 3500 psi [241 bar] INLET PRESSURE
 DC CURRENT, REGULATED PORT: BLOCKED
 MAGNITUDE (SOLID LINE)
 PHASE ANGLE (DASHED LINE)



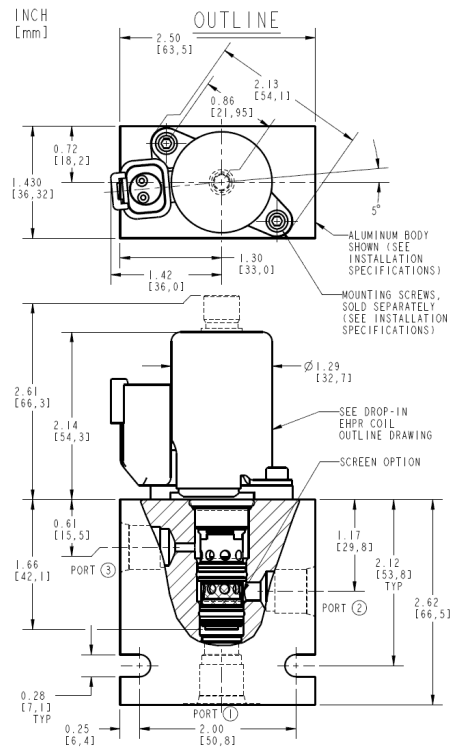
GENERAL TEST CONDITIONS

(UNLESS OTHERWISE SPECIFIED)

OIL: MOBIL DTE @ 104°F [40°C], 32 cSt.



Dimensions



ALL DIMENSIONS ARE FOR REFERENCE ONLY.

Installation Specifications

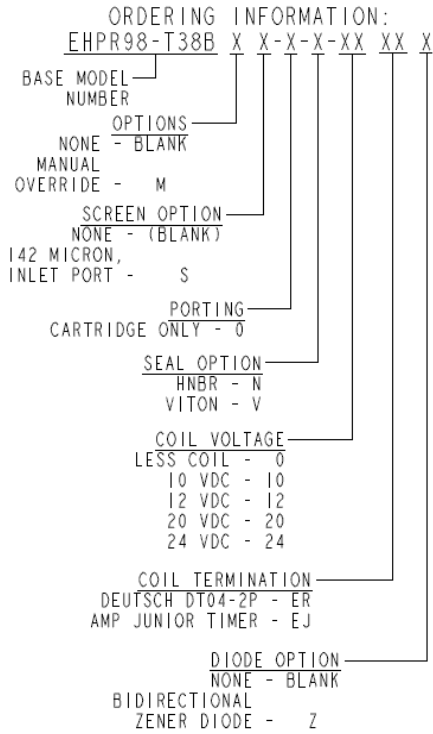
Cavity	VC-T011
Installation type	Flange mounted
Orientation restriction	None
Mounting screw torque	1.2 to 1.5 N-m (0.9 to 1.1 ft-lb)

Accessories

Mounting screw	M4 x 12, hf p/n: 4001015 (sold separately)
Valve body	Hf p/n 71570x0 (sold separately)
Seal kit	SK-T011-X - Note: X = seal option



Order Code



POSITION	CODE	DESCRIPTION
		EHPR98-T38BEG-H-J-KL
E		Manual Override
E	BLANK	NONE
E	M	Minimum Regulated Pressure Override, 3/16" Internal Hex
G		Screen
G	BLANK	NONE
G	S	100 Mesh Screen
H		Line Body
H	0	No Body
J		Seal
J	N	Buna-N
J	V	Fluorocarbon
K		Coil Voltage
K	10	10 VDC
K	12	12 VDC
K	20	20 VDC
K	24	24 VDC
L		Coil Termination
L	EJ	E-Coil, AMP Jr.
L	ER	E-Coil, Deutsch