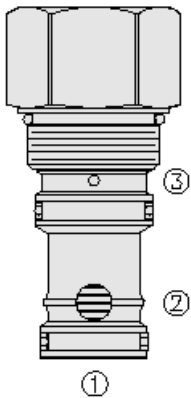




## Overview



### Description

The EP20-S35 is a screw-in, cartridge style, pilot to close hydraulic directional element.

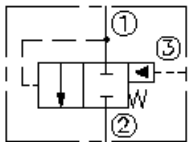
### Operation

The valve is a spring-biased blocking valve which will shift to allow full flow from port 1 to 2 only when the pressure at port 1 exceeds the cumulative pressure of port 3, plus the bias spring pressure value.

### Features

- Multiple function/application potential.
- Low pressure drop.
- Industry common cavity.

### Symbol



## Ratings

### Pressure Ratings

Pressure rating 345 bar (5000 psi)

### Flow Ratings

Flow rating See performance graph  
 Maximum internal leakage 197 ml/min (12 in<sup>3</sup>/min) - **Note:** At 345 bar (5000 psi)

### Temperature Ratings

Operating fluid temperature	-40 to 100 °C (-40 to 212 °F)	- <b>Note:</b> With buna N seals
	-26 to 204 °C (-15 to 400 °F)	- <b>Note:</b> With fluorocarbon seals
	-54 to 107 °C (-65 to 225 °F)	- <b>Note:</b> With polyurethane seals
Storage temperature	-40 to 70 °C (-40 to 160 °F)	
Ambient temperature	-40 to 70 °C (-40 to 160 °F)	

### Other Ratings

Corrosion protection Gep20-s35 - 960 hour salt spray per ASTM b117

## Operating Parameters

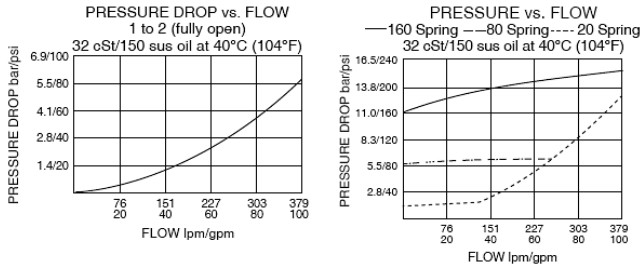
Fluids	Mineral based or synthetic hydraulic fluid with lubricating properties
Fluid viscosity range	7.4 to 420 cSt
Maximum operating contamination level	20/18/14 per ISO 4406

## Properties

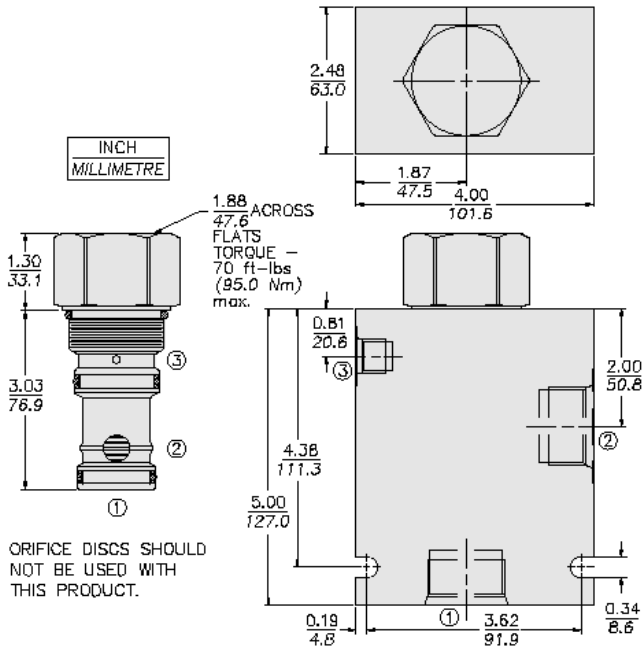
Unit weight	0.77 kg (1.7 lb)
Internal wetted surface area	412 cm <sup>2</sup> (63.9 in <sup>2</sup> )



## Performance



## Dimensions



## Installation Specifications

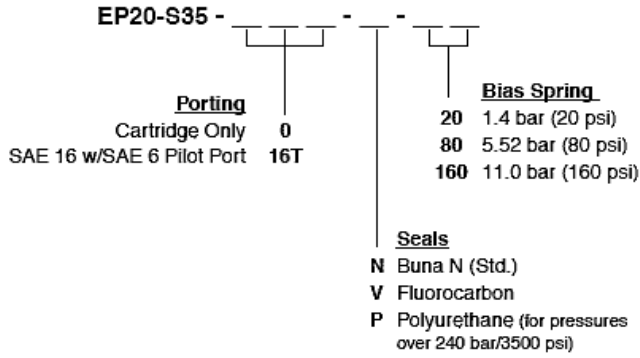
Cavity	VC20-S3
Cartridge installation torque	88 to 102 N-m (65 to 75 ft-lb)
Orientation restriction	None

## Accessories

Seal kit	SK20-S3X-MM	- Note: X = seal option
----------	-------------	-------------------------



Order Code



**Model Options**

**EP20-S35-H-J-R**

**H Line Body**

CODE	DESCRIPTION
0	No Body
16T	Aluminum SAE 16
16TD	Ductile Iron SAE 16

**J Seal**

CODE	DESCRIPTION
N	Buna-N
V	Fluorocarbon
P	Polyurethane
U	PPDI Urethane

**R Spring**

CODE	DESCRIPTION
20	20 psi Bias Spring
80	80 psi Bias Spring
160	160 psi Bias Spring