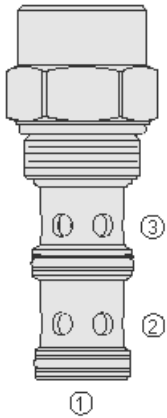




Overview



Description

A screw-in, cartridge style, pressure compensated, non adjustable regulator intended for use in fixed displacement hydraulic circuits requiring partial pump flow diversion on a priority basis. It is intended for use with mineral based or synthetic hydraulic fluids with lubricating properties.

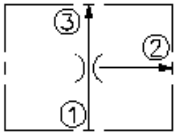
Operation

The FR16-30F maintains a constant flow rate from port 3 regardless of load pressure changes in the system downstream of port 3, or in bypass leg at port 2.

Features

- Hardened parts for long life.
- Quiet, modulated response.

Symbol



Ratings

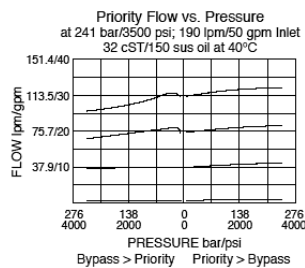
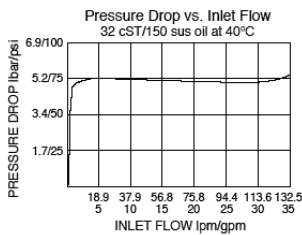
Pressure Ratings

Pressure rating	241 bar (3500 psi)
Compensating pressure differential	5.5 bar (80 psid)

Flow Ratings

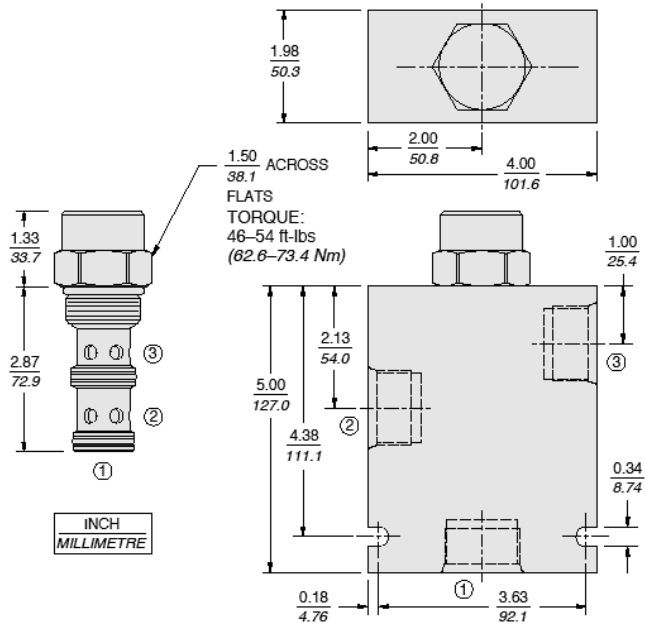
Flow rating	113 lpm (30 gpm)	- Note: Max priority flow
	190 lpm (50 gpm)	- Note: Max input flow

Performance





Dimensions

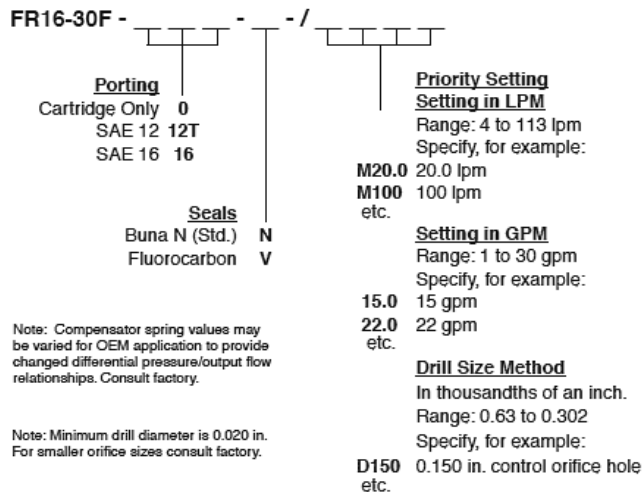


Installation Specifications

Cavity	VC16-3
Cartridge installation torque	62.6 to 73.4 N-m (46 to 54 ft-lb)



Order Code



POSITION	CODE	DESCRIPTION
		FR16-30F-H-J/T
F		Adjustment Option
F	F	Factory Preset Non-Adjustable
H		Line Body
H	0	No Body
H	12T	Aluminum SAE 12
H	16T	Aluminum SAE 16
H	16TD	Ductile Iron SAE 16
J		Seal
J	N	Buna-N
J	V	Fluorocarbon
J	P	Polyurethane
J	U	PPDI Urethane
T		Flow setting
T	XX	Flow setting