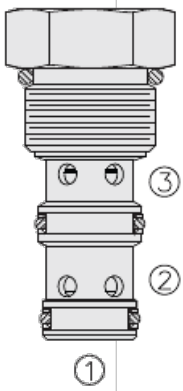




## Overview



### Description

HFR10-32F is a screw-in, cartridge style, fixed orifice, pressure compensated, bi-directional flow regulating valve (restrictive type)

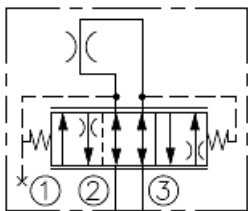
### Operation

The valve maintains constant flow rate regardless of pressure drop across the valve and regardless of flow direction: from port 2 to port 3 or from port 3 to port 2. Port 1 should be blocked

### Features

- Excellent linearity and hysteresis.
- Industry-common cavity.
- All HyPerformance products are tested to the rigorous standards of the NFPA specification T2.6.1.
- All HyPerformance valves are tested at a verification level of 90% and an assurance of 99%.

## Symbol



## Ratings

### Pressure Ratings

Pressure rating	350 bar (5075 psi)	- <b>Note:</b> 10% cycle life
	420 bar (6090 psi)	
Proof pressure	690 bar (10000 psi)	
Burst pressure	1380 bar (20000 psi)	

### Flow Ratings

Flow rating	1.0 to 19.0 lpm (0.3 to 5.0 gpm)
-------------	----------------------------------

### Temperature Ratings

Operating fluid temperature	-40 to 100 °C (-40 to 212 °F)	- <b>Note:</b> With buna N seals
	-26 to 204 °C (-15 to 400 °F)	- <b>Note:</b> With fluorocarbon seals
	-54 to 107 °C (-65 to 225 °F)	- <b>Note:</b> With urethane seals
Storage temperature	-40 to 70 °C (-40 to 160 °F)	
Ambient temperature	-40 to 70 °C (-40 to 160 °F)	

## Operating Parameters

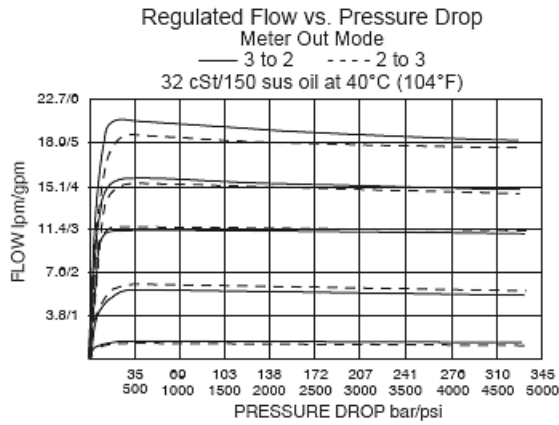
Fluids	Mineral based or synthetic hydraulic fluid with lubricating properties
Fluid viscosity range	7.4 to 420 cSt
Maximum operating contamination level	18/16/13 per ISO 4406

## Properties

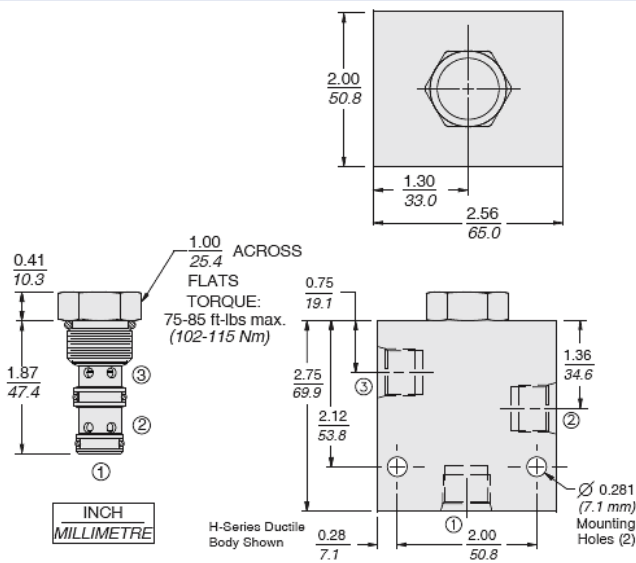
Unit weight	0.10 kg (0.22 lb)
Internal wetted surface area	137 cm <sup>2</sup> (21.2 in <sup>2</sup> )



## Performance



## Dimensions



## Materials

### Cartridge:

Weight: 0.10 kg (0.22 lb) Steel with hardened work surfaces. Zinc-plated exposed surfaces. Urethane seals without back-up rings standard.

### Standard Ported Body:

Weight: 1.40 kg (3.09 lb) H-Series ductile iron bodies standard. Rated to 345 bar (5000 psi).

## Installation Specifications

Cavity	Hvc10-3	
Cartridge installation torque	102 to 115 N-m (75 to 85 ft-lb) 81 to 88 N-m (60 to 65 ft-lb)	- <b>Note:</b> Steel/ductile iron cavity - <b>Note:</b> Aluminum cavity
Orientation restriction	None	

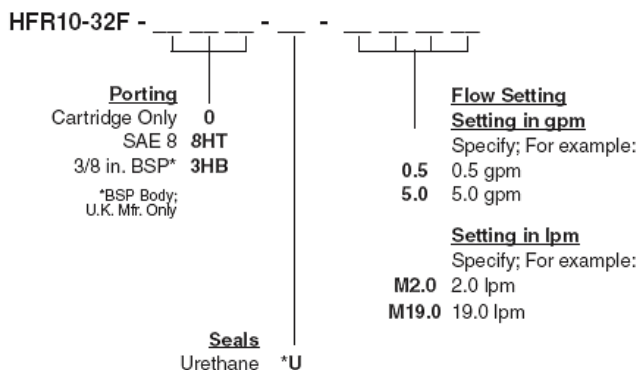
## Accessories

Seal kit	SK10-3N-MM SK10-3V-MM Hsk10-3u-o	- <b>Note:</b> Buna N - <b>Note:</b> Fluorocarbon - <b>Note:</b> Urethane
Housings		



**Order Code**

POSITION	CODE	DESCRIPTION
		HFR10-32F-H-J/T
F		Adjustment Option
F	F	Factory Preset Non-Adjustable
H		Line Body
H	0	No Body
J		Seal
J	N	Buna-N
J	V	Fluorocarbon
J	U	PPDI Urethane
T		Flow setting
T	XX	Flow setting



\*Note: Urethane seals recommended for operating pressures above 241 bar (3500 psi)

Note: Consult factory for additional seal options.