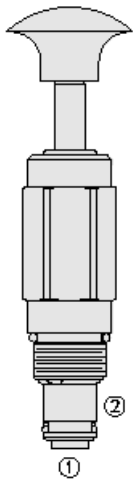




Overview



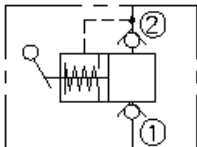
Description

The HP10-20X is a push and release type hand pump with a return spring and two built-in checks. It is a screw in cartridge type hand pump for use with general purpose hydraulic oils

Operation

The hand pump is applicable for emergency braking or brake release on battery powered vehicles or as a lube pump

Symbol



Ratings

Pressure Ratings

Pressure rating	207 bar (3000 psi)	- Note: Port 1
	69 bar (1000 psi)	- Note: Port 2
Maximum attainable pressure	17 bar (250 psi)	- Note: With push force 133 N (30 lbf)

Flow Ratings

Maximum internal leakage	0.15 ml/min (3 drops/min)	- Note: From port 1 to port 2 at 207 bar (3000 psi)
--------------------------	---------------------------	--

Temperature Ratings

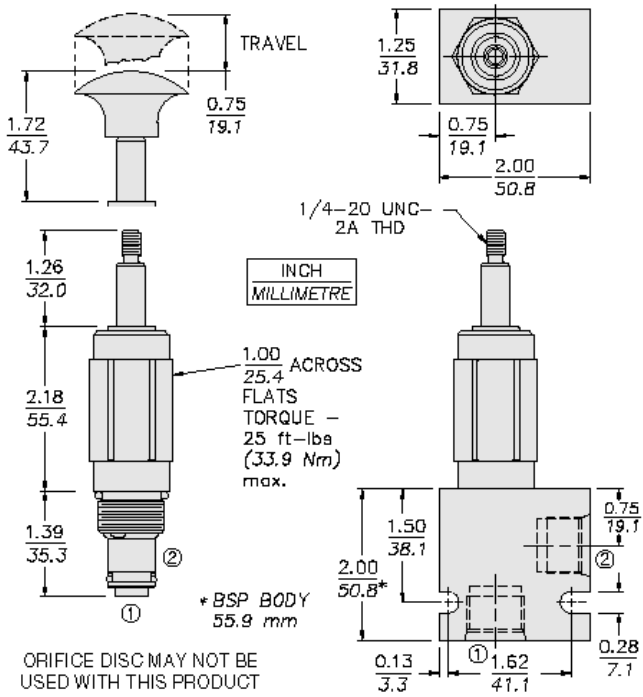
Operating fluid temperature	-40 to 120 °C (-40 to 248 °F)
-----------------------------	-------------------------------

Properties

Displacement	1.36 ml (0.083 in ³)
--------------	----------------------------------



Dimensions





Order Code

POSITION	CODE	DESCRIPTION
		HP10-20F-H-J
F		Adjustment
F	D	Black Plastic Knob with Lock Position Pin
F	K	Black Plastic Knob with Spring Return
F	T	Threaded Shaft with Spring Return
H		Line Body
H	0	No Body
H	6T	Aluminum SAE 6
H	8T	Aluminum SAE 8
H	6TD	Ductile Iron SAE 6
H	8TD	Ductile Iron SAE 8
H	2B	Aluminum BSPP 1/4" (2)
H	3B	Aluminum BSPP 3/8" (3)
H	4B	Aluminum BSPP 1/2" (4)
H	4BD	Ductile Iron BSPP 1/2" (4)
J		Seal
J	N	Buna-N
J	V	Fluorocarbon
J	P	Polyurethane
J	U	PPDI Urethane

