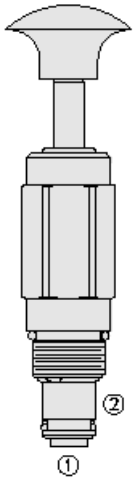




## Overview



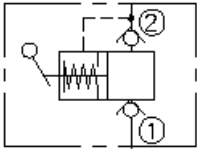
### Description

The HP10-20X is a push and release type hand pump with a return spring and two built-in checks. It is a screw in cartridge type hand pump for use with general purpose hydraulic oils.

### Operation

The hand pump is applicable for emergency braking or brake release on battery powered vehicles or as a lube pump.

### Symbol



## Ratings

### Pressure Ratings

Pressure rating	207 bar (3000 psi)	- <b>Note:</b> Port 1
	69 bar (1000 psi)	- <b>Note:</b> Port 2
Maximum attainable pressure	17 bar (250 psi)	- <b>Note:</b> With push force 133 N (30 lbf)

### Flow Ratings

Maximum internal leakage	0.15 ml/min (3 drops/min)	- <b>Note:</b> From port 1 to port 2 at 207 bar (3000 psi)
--------------------------	---------------------------	--

### Temperature Ratings

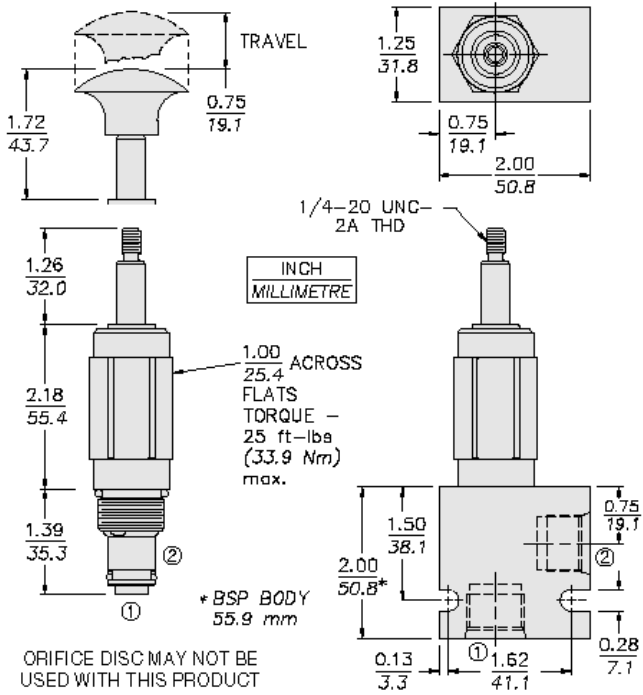
Operating fluid temperature	-40 to 120 °C (-40 to 248 °F)
-----------------------------	-------------------------------

## Properties

Displacement	1.36 ml (0.083 in <sup>3</sup> )
--------------	----------------------------------

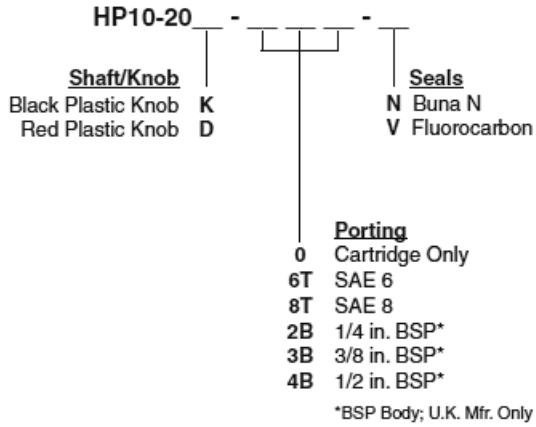


Dimensions





Order Code



Model Options

HP10-20F-H-J

F Adjustment

CODE	DESCRIPTION
D	Red Plastic Knob
K	Black Plastic Knob

H Line Body

CODE	DESCRIPTION
0	No Body
6T	Aluminum SAE 6
8T	Aluminum SAE 8
6TD	Ductile Iron SAE 6
8TD	Ductile Iron SAE 8
2B	Aluminum BSPP 1/4" (2)
3B	Aluminum BSPP 3/8" (3)
4B	Aluminum BSPP 1/2" (4)
4BD	Ductile Iron BSPP 1/2" (4)

J Seal

CODE	DESCRIPTION
N	Buna-N
V	Fluorocarbon
P	Polyurethane
U	PPDI Urethane