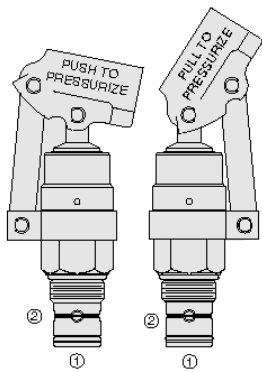




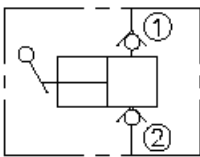
Overview



Description

The HP16-21X is a push or pull to pressurize hand pump with two built in checks. It is a screw in, cartridge type hand pump for use with general purpose hydraulic oils. The hand pump beam rotates around the vertical axis for 360° handle positioning. The hand pump CAN be used as an emergency device at electrical power failures.

Symbol



Ratings

Pressure Ratings

Pressure rating	345 bar (5000 psi)	- Note: At port 2
Suction pressure	193 mm-Hg (7.6 in-Hg)	- Note: Less than atmospheric pressure

Flow Ratings

Maximum internal leakage	3 drops/min (psi)	- Note: From port 2 to the inside of the pump. Maximum at 207 bar (300 psi)
--------------------------	-------------------	--

Temperature Ratings

Operating fluid temperature	-40 to 100 °C (-40 to 212 °F)	- Note: With buna N seals
	-26 to 204 °C (-15 to 400 °F)	- Note: With fluorocarbon seals
Storage temperature	-40 to 70 °C (-40 to 160 °F)	
Ambient temperature	-40 to 90 °C (-40 to 194 °F)	

Other Ratings

Corrosion protection	960 hr salt spray per ASTM b117 (ghp16-21x)
----------------------	---

Operating Parameters

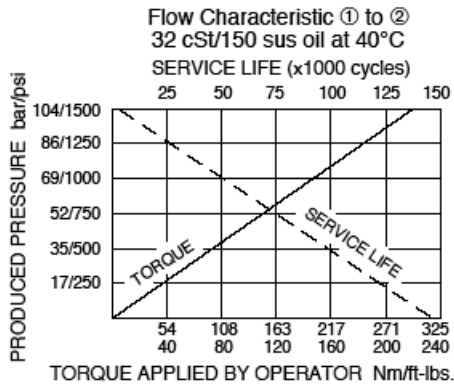
Fluids	Mineral based or synthetic hydraulic fluid with lubricating properties
Fluid viscosity range	7.4 to 420 cSt
Maximum operating contamination level	20/18/14 per ISO 4406

Properties

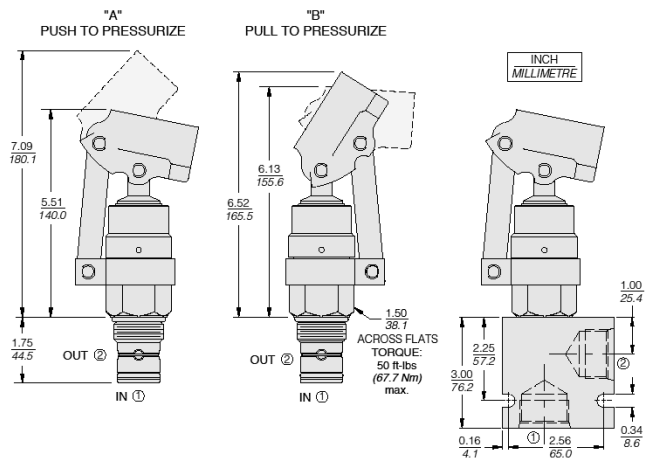
Displacement	21.3 ml (1.3 in ³)	- Note: Per stroke
Unit weight	1.27 kg (2.8 lb)	
Internal wetted surface area	214 cm ² (33.2 in ²)	



Performance



Dimensions



Installation Specifications

Cavity	VC16-2
Maximum allowable torque	305 N-m (225 ft-lb)
Cartridge installation torque	62.3 to 73.2 N-m (46 to 54 ft-lb)
Orientation restriction	None

Accessories

Accessories	40 cm (16 in) long handle with plastic grip (p/n: 6502340)
Seal kit	SK16-2N-T - Note: Buna N SK16-2V-T - Note: Fluorocarbon
Housings	



Order Code

HP16-21

****Push or Pull**
 Push Handle Actuation **A**
 Pull Handle Actuation **B**

*Shipped as kit for installation

Handle Kit Part no. 6502340;
 Must be ordered separately.

Seals
N Buna N (Std.)
V Fluorocarbon

Porting
0 Cartridge Only
12T SAE 12
16T SAE 16
6B 3/4 in. BSP*
8B 1 in. BSP*

*BSP Body; U.K. Mfr. Only

POSITION	CODE	DESCRIPTION
		HP16-21-H-J
H		Line Body
H	0	No Body
H	12T	Aluminum SAE 12
H	16T	Aluminum SAE 16
H	12TD	Ductile Iron SAE 12
H	6B	Aluminum BSPP 3/4" (6)
H	8B	Aluminum BSPP 1" (8)
H	8BD	Ductile Iron BSPP 1" (8)
J		Seal
J	N	Buna-N
J	V	Fluorocarbon
J	P	Polyurethane
J	U	PPDI Urethane