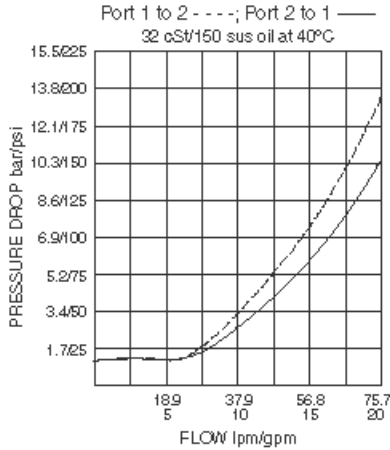


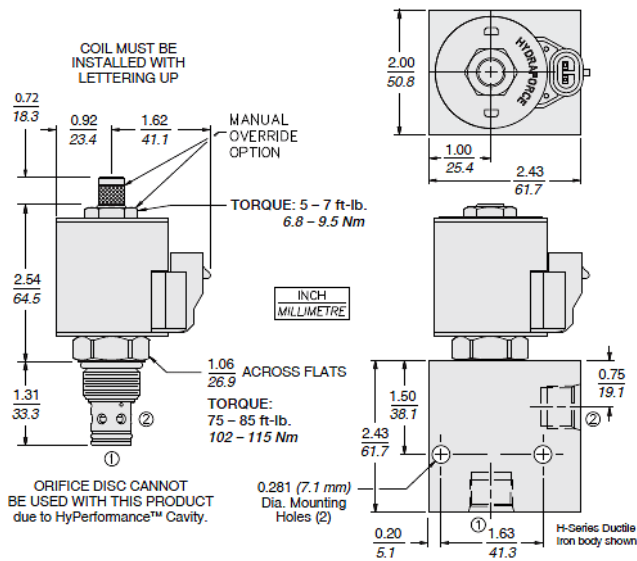




æÉşèf<sup>1/2</sup>



â°âˆ–



ææ™

ææ™

â“ç”î¼sâ...ææ%ç;î-âÇ-â-¥â½æèj”éççš„éçâ€„é•€€”Çæš’ éœ²èj”éç;æ²;æœœ%â¡ª»½æ †â†çš„èšæ””é... O çŽ-â€„ çššæœ°œ”â¼”î¼šé†é†î¼š1.19â¸â...â€œî¼”2.62ç£...î¼%œÉşèf½â„çâ¼”è½”é”î¼”â”£ç ”D”î¼%œ †â†â€„éçâ€šâ„° 345 é...’âš î¼”5000 psiî¼%â€„ ç”µâç°¿æ”î¼šé†é†î¼š0.41â¸â...â€œî¼”0.9 ç£...î¼%œ;â€œÇç¾žçš„â¼”â¡î¼”ÇEâ”ÇEâ...”â°è£...â„žâšâ”çš„âª-éƒ”é†â±žâª-â£³î¼šâ„çš”â†è¿æž¥â”™”çš„éçâ€šâ€¼”éœ”¼¼ IP69Kâ€„

â°œœ£...èš„,èÇf

|                               |                                 |                                   |
|-------------------------------|---------------------------------|-----------------------------------|
| Cavity                        | HVC10-2                         |                                   |
| Cartridge installation torque | 102 to 115 N-m (75 to 85 ft-lb) | - Note: Steel/ductile iron cavity |
| Orientation restriction       | None                            | - Note: Aluminum cavity           |

è³/4...æ™

|          |           |                      |
|----------|-----------|----------------------|
| Seal kit | SK10-2N-M | - Note: Buna N       |
|          | SK10-2V-M | - Note: Fluorocarbon |
|          | SK10-2U-0 | - Note: Urethane     |
| Housings |           |                      |
| Coils    |           |                      |

è®çâ°â»£ç



POSITION  
CODE  
DESCRIPTION

HSV10-A28AE-H-J-L-M

A

Position Sensor Option

A

28

Standard

A

P28A

Position Indicator Switch with Restricted Flow

E

Manual Override

E

BLANK

NONE

E

M

Two Position Override, Red Knurled Knob

H

Line Body

H

0

No Body

J

Seal

J

N

Buna-N

J

V

Fluorocarbon

J

HV

High Durometer Fluorocarbon

J

U

PPDI Urethane

L

Coil

L

0

No Coil

L

10EL

10 VDC, E-Coil, Dual Lead Wires

L

10ER

10 VDC, E-Coil, Deutsch



L  
10ER/Z  
10 VDC, E-Coil, Deutsch with Zener Diode

L  
12EG  
12 VDC, E-Coil, DIN 43650

L  
12EJ  
12 VDC, E-Coil, AMP Jr.

L  
12EL  
12 VDC, E-Coil, Dual Lead Wires, 18 inches long

L  
12EL/36  
12 VDC, E-Coil, Dual Lead Wires, 36 inches long

L  
12EL/W/Z  
12 VDC, E-Coil, Dual Lead Wires with WeatherPak and Zener Diode

L  
12EL/Z  
12 VDC, E-Coil, Dual Lead Wires with Zener Diode

L  
12ER  
12 VDC, E-Coil, Deutsch

L  
12ER/Z  
12 VDC, E-Coil, Deutsch with Zener Diode

L  
12EY  
12 VDC, E-Coil, Metri-Pack 150

L  
12EY/Z  
12 VDC, E-Coil, Metri-Pack 150 with Zener Diode

L  
20ER  
20 VDC, E-Coil, Deutsch

L  
24EG  
24 VDC, E-Coil, DIN 43650

L  
24EJ  
24 VDC, E-Coil, AMP Jr.

L  
24EL  
24 VDC, E-Coil, Dual Lead Wires, 18 inches long

L  
24EL/36  
24 VDC, E-Coil, Dual Lead Wires, 36 inches long

L  
24EL/W/Z  
24 VDC, E-Coil, Dual Lead Wires with WeatherPak and Zener Diode

L  
24ER  
24 VDC, E-Coil, Deutsch

L  
24ER/Z  
24 VDC, E-Coil, Deutsch with Zener Diode



- L
- 24EY
- 24 VDC, E-Coil, Metri-Pack 150
- L
- 24EY/Z
- 24 VDC, E-Coil, Metri-Pack 150 with Zener Diode
- M

Position Sensor Termination

- M
- BLANK
- No Position Sensor
- M
- M3
- Neutral Sense, M12-4P, Dual Output NC/NO
- M
- N3
- Neutral Sense, DT04-4P, Dual Output NC/NO

