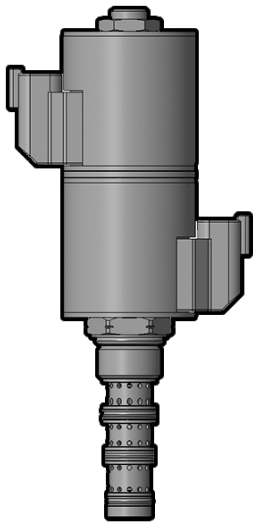




Overview



Description

The HSV10-47A is a high pressure, 4 port, 3 position, spool type, screw-in, cartridge style, hydraulic solenoid valve.

Operation

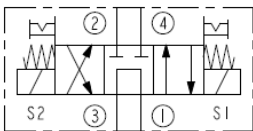
When de-energized, the HSV10-47A blocks cylinder ports, while allowing flow from 3 to 1. When coil #1 is energized, flow is allowed from 3 to 2, and from 4 to 1. When coil #2 is energized, flow is allowed from 3 to 4, and from 2 to 1. In circuits where work port flows are unequal due to cylinder ratios, the higher return flow should be directed to port 2.

NOTE: Orifice disc should not be used with this product.

Features

- Continuous-duty rated solenoid.
- Hardened precision spool and cage for long life.
- Optional coil voltages and terminations.
- Manual override option.
- Corrosion-resistant plating.
- Waterproof E&C Coils rated up to IP69K.
- All ports may be fully pressurized.
- Unitized, molded coil design.
- Industry common cavity.
- All HyPerformance products are tested to the rigorous standards of the NFPA specification T2.6.1.
- All HyPerformance valves are tested at a verification level of 90% and an assurance of 99%.

Symbol



Ratings

Pressure Ratings

Pressure rating	350 bar (5075 psi)	- Note: (10% cycle life)
	420 bar (6090 psi)	
Proof pressure	690 bar (10000 psi)	
Burst pressure	1380 bar (20000 psi)	

Flow Ratings

Flow rating	See performance graph	
Maximum internal leakage	156 ml/min (9.5 in ³ /min)	- Note: Ports 3-1: at 350 bar (5075 psi) S1 coil energized.
	185 ml/min (11.3 in ³ /min)	- Note: Ports 3-1: at 350 bar (5075 psi) S2 coil energized.

Other Ratings

Cycle life	One million cycles
------------	--------------------

Temperature Ratings

Operating fluid temperature	-40 to 100 °C (-40 to 212 °F)	- Note: With Buna N seals
	-26 to 204 °C (-15 to 400 °F)	- Note: With fluorocarbon seals
	-54 to 107 °C (-65 to 225 °F)	- Note: With urethane seals
Storage temperature	-40 to 70 °C (-40 to 160 °F)	
Ambient temperature	-40 to 90 °C (-40 to 194 °F)	

Operating Parameters

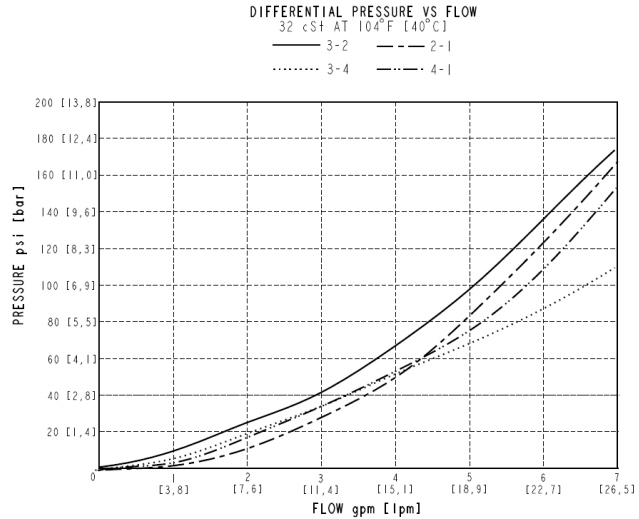
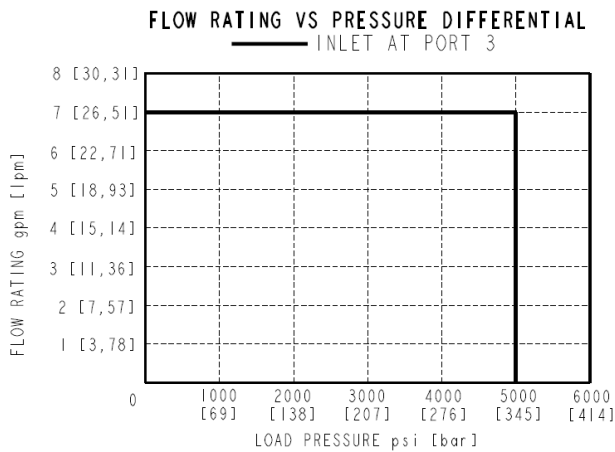
Fluids	Mineral based or synthetic hydraulic fluid with lubricating properties
Fluid viscosity range	7.4 to 420 cSt
Maximum operating contamination level	18/16/13 per ISO 4406

Properties

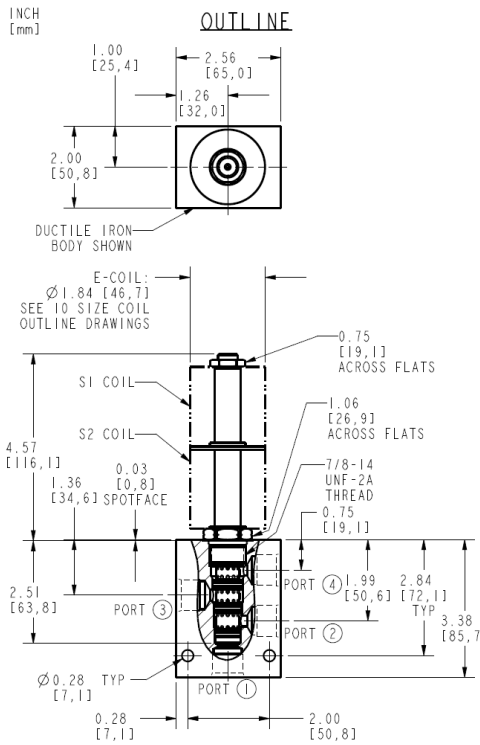
Unit weight	0.31 kg (0.68 lb)	- Note: HSV10-47A without coil and nut
Internal wetted surface area	257 cm ² (39.8 in ²)	- Note: HSV10-47A



Performance



Dimensions



ALL DIMENSIONS ARE FOR REFERENCE ONLY.

Installation Specifications

Cavity	HVC10-4	
Cartridge installation torque	102 to 115 N-m (75 to 85 ft-lb)	- Note: Steel/ductile iron cavity
	81 to 88 N-m (60 to 65 ft-lb)	- Note: Aluminum cavity
Coil nut torque	5.4 to 6.8 N-m (4 to 5 ft-lb)	
Orientation restriction	None	

Accessories

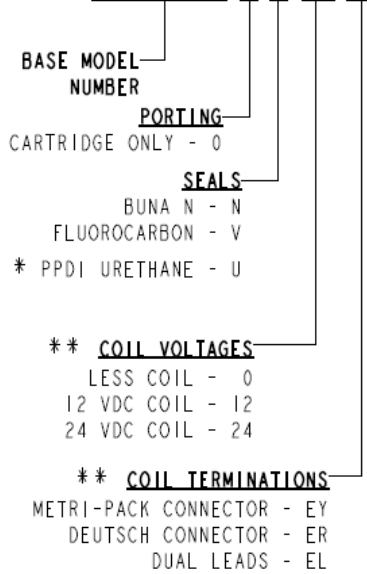
Seal kit	SK10-4N-MMM SK10-4V-MMM SK10-4U-OOO	- Note: Buna N - Note: fluorocarbon - Note: urethane
Housings		
Coils		



Order Code

ORDERING INFORMATION

HSV10-47A-X-X-XX XX



* URETHANE SEALS RECOMMENDED FOR OPERATING PRESSURES ABOVE 3500 psi [241 bar].

POSITION	CODE	DESCRIPTION
		HSV10-47AE-H-J-L
E		Manual Override
E	B	Momentary Push/Pull Override, 1.5" Diameter Aluminum Knob
E	BLANK	NONE
E	K	Three Position Override, 1.5" Diameter Aluminum Knob
E	M	Momentary Push/Pull Override, Red Knurled Knob
H		Line Body
H	0	No Body
H	8HT	Ductile Iron SAE 8
J		Seal
J	N	Buna-N
J	V	Fluorocarbon
J	U	PPDI Urethane
L		Coil
L	0E	No Coil, E-Coil Spacer
L	10EL	10 VDC, E-Coil, Dual Lead Wires
L	10ER	10 VDC, E-Coil, Deutsch
L	10ER/Z	10 VDC, E-Coil, Deutsch with Zener Diode
L	12EG	12 VDC, E-Coil, DIN 43650
L	12EJ	12 VDC, E-Coil, AMP Jr.
L	12EL	12 VDC, E-Coil, Dual Lead Wires, 18 inches long
L	12EL/36	12 VDC, E-Coil, Dual Lead Wires, 36 inches long
L	12EL/W/Z	12 VDC, E-Coil, Dual Lead Wires with WeatherPak and Zener Diode
L	12EL/Z	12 VDC, E-Coil, Dual Lead Wires with Zener Diode



POSITION	CODE	DESCRIPTION
L	12ER	12 VDC, E-Coil, Deutsch
L	12ER/Z	12 VDC, E-Coil, Deutsch with Zener Diode
L	12EY	12 VDC, E-Coil, Metri-Pack 150
L	12EY/Z	12 VDC, E-Coil, Metri-Pack 150 with Zener Diode
L	20ER	20 VDC, E-Coil, Deutsch
L	24EG	24 VDC, E-Coil, DIN 43650
L	24EJ	24 VDC, E-Coil, AMP Jr.
L	24EL	24 VDC, E-Coil, Dual Lead Wires, 18 inches long
L	24EL/36	24 VDC, E-Coil, Dual Lead Wires, 36 inches long
L	24EL/W/Z	24 VDC, E-Coil, Dual Lead Wires with WeatherPak and Zener Diode
L	24ER	24 VDC, E-Coil, Deutsch
L	24ER/Z	24 VDC, E-Coil, Deutsch with Zener Diode
L	24EY	24 VDC, E-Coil, Metri-Pack 150
L	24EY/Z	24 VDC, E-Coil, Metri-Pack 150 with Zener Diode