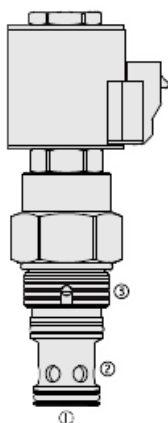
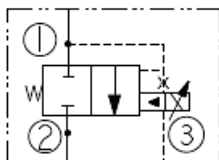




Overview



Symbol



Description

HTS16-S34F is screw-in, cartridge style, proportional pressure relief valve. Spool-type main stage is combined with a single stage, poppet style, pressure relieving proportional valve. The regulated pressure is inversely proportional to the electrical current input.

Operation

The HTS16-S34F is a spring-biased valve that blocks flow from port 1 to port 2 until pressure sufficient to open the valve by overcoming the preset induced by pilot spring force is present at port 1. With no current applied, the valve will relieve flow to maintain pressure set at hf factory.

Features

- Multifunction proportional relief valve with vented logic element
- Low pressure drop.
- Rated for high pressure operation
- Pressure can be set at factory at range between 55.2 to 345 bar (800 to 5000 psi)
- High flow rating
- Port 2 can be pressurized for logic applications
- Corrosion-resistant plating
- 12- or 24-volt environmental coils
- All HyPerformance products are tested to the rigorous standards of the NFPA specification T2.6.1.
- All HyPerformance valves are tested at a verification level of 90% and an assurance of 99%.

Ratings

Pressure Ratings

Pressure rating	413 bar (6000 psi)	- Note: Port 1
	413 bar (6000 psi)	- Note: Port 2
	103 bar (1500 psi)	- Note: Port 3
Proof pressure	448 bar (6500 psi)	- Note: Port 1
	448 bar (6500 psi)	- Note: Port 2
	207 bar (3000 psi)	- Note: Port 3
Burst pressure	861.8 bar (12500 psi)	
Pressure differential at maximum current	8.27 bar (120 psi)	
Pressure setting	55.2 to 345 bar (800 to 5000 psi) in this range	- Note: Valve CAN be set in hf factory to any pressure in this range

Flow Ratings

Flow rating	200 lpm (52 gpm)
-------------	------------------

Temperature Ratings

Operating fluid temperature	-40 to 100 °C (-40 to 212 °F)	- Note: With /buna-n seals
	-26 to 204 °C (-15 to 400 °F)	- Note: With fluorocarbon seals
	-54 to 107 °C (-65 to 225 °F)	- Note: With urethane seals
Storage temperature	-40 to 70 °C (-40 to 160 °F)	
Ambient temperature	-40 to 70 °C (-40 to 160 °F)	

Operating Parameters

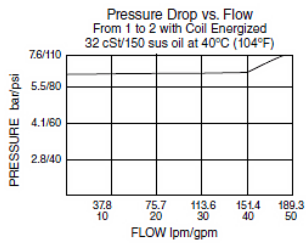
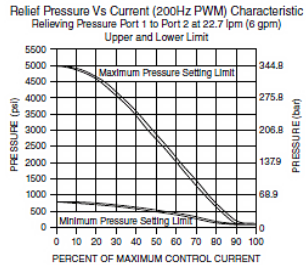
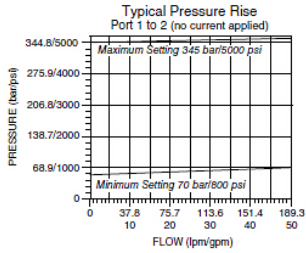
Fluids	Mineral based or synthetic with lubricating properties
Fluid viscosity range	7.4 to 420 cSt
Maximum operating contamination level	18/16/13 per ISO 4406

Properties

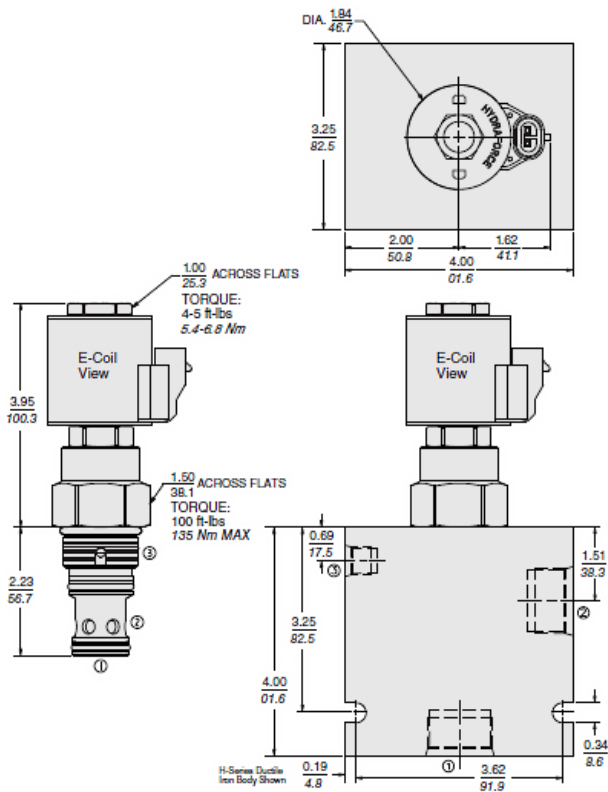
Unit weight	0.58 kg (1.27 lb)
Internal wetted surface area	466 cm ² (72.2 in ²)



Performance



Dimensions



Installation Specifications

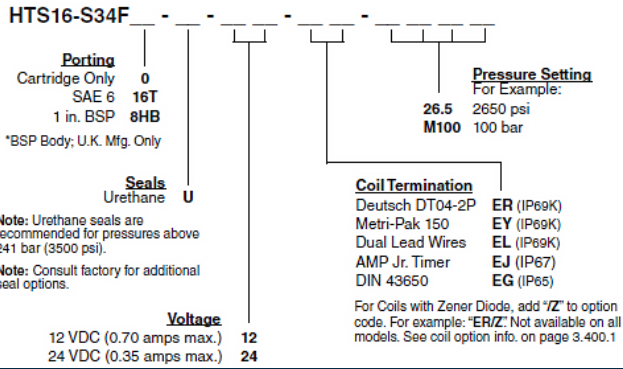
Cavity	HVC16-s3
Cartridge installation torque	135 N-m (100 ft-lb)
Coil nut torque	5.4 to 6.8 N-m (4 to 5 ft-lb)
Orientation restriction	None



Accessories

- Seal kit SK16-S3X-BB (x = N V seal option)
SK16-S3U-OO - **Note:** U seal option
- Housings
- Coils

Order Code



POSITION	CODE	DESCRIPTION
		HTS16-S34F-H-J-L-S
H		Line Body
H	0	No Body
H	16HT	Ductile Iron SAE 16
J		Seal
J	N	Buna-N
J	V	Fluorocarbon
J	U	PPDI Urethane
L		Coil
L	0	No Coil
L	10EL	10 VDC, E-Coil, Dual Lead Wires
L	10ER	10 VDC, E-Coil, Deutsch
L	10ER/Z	10 VDC, E-Coil, Deutsch with Zener Diode
L	12EG	12 VDC, E-Coil, DIN 43650
L	12EJ	12 VDC, E-Coil, AMP Jr.
L	12EL	12 VDC, E-Coil, Dual Lead Wires, 18 inches long
L	12EL/36	12 VDC, E-Coil, Dual Lead Wires, 36 inches long
L	12EL/W/Z	12 VDC, E-Coil, Dual Lead Wires with WeatherPak and Zener Diode
L	12EL/Z	12 VDC, E-Coil, Dual Lead Wires with Zener Diode
L	12ER	12 VDC, E-Coil, Deutsch
L	12ER/Z	12 VDC, E-Coil, Deutsch with Zener Diode
L	12EY	12 VDC, E-Coil, Metri-Pack 150
L	12EY/Z	12 VDC, E-Coil, Metri-Pack 150 with Zener Diode
L	20ER	20 VDC, E-Coil, Deutsch
L	24EG	24 VDC, E-Coil, DIN 43650
L	24EJ	24 VDC, E-Coil, AMP Jr.
L	24EL	24 VDC, E-Coil, Dual Lead Wires, 18 inches long
L	24EL/36	24 VDC, E-Coil, Dual Lead Wires, 36 inches long
L	24EL/W/Z	24 VDC, E-Coil, Dual Lead Wires with WeatherPak and Zener Diode



POSITION	CODE	DESCRIPTION
L	24ER	24 VDC, E-Coil, Deutsch
L	24ER/Z	24 VDC, E-Coil, Deutsch with Zener Diode
L	24EY	24 VDC, E-Coil, Metri-Pack 150
L	24EY/Z	24 VDC, E-Coil, Metri-Pack 150 with Zener Diode
S	[-]	Pressure Setting
S	MXX	Pressure Setting in XXX bar
S	XX	Pressure Setting in XX psi (x 100)