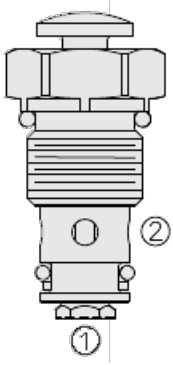




Overview



Description

The MV06-20 is a screw-in, cartridge style, thumb or cam operated, two-way normally closed, poppet type, directional valve.

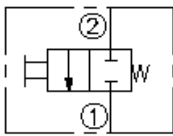
Operation

The valve blocks flow from port 2 to 1 until applied thumb or cam force is sufficient to overcome the spring bias plus load force.

Features

- Hardened seat and poppet for long life. Stainless steel cam button.

Symbol



Ratings

Pressure Ratings

Pressure rating	241 bar (3500 psi)
Proof pressure	690 bar (10000 psi)
Burst pressure	1380 bar (20000 psi)

Flow Ratings

Flow rating	15 lpm (4 gpm)
Maximum internal leakage	0.25 ml/min (5 drops/min) - Note: At 241 bar (3500 psi)

Temperature Ratings

Operating fluid temperature	-40 to 100 °C (-40 to 212 °F)	- Note: With buna N seals
	-26 to 204 °C (-15 to 400 °F)	- Note: With fluorocarbon seals
	-54 to 107 °C (-65 to 225 °F)	- Note: With polyurethane seals
Storage temperature	-40 to 70 °C (-40 to 160 °F)	
Ambient temperature	-40 to 70 °C (-40 to 160 °F)	

Operating Parameters

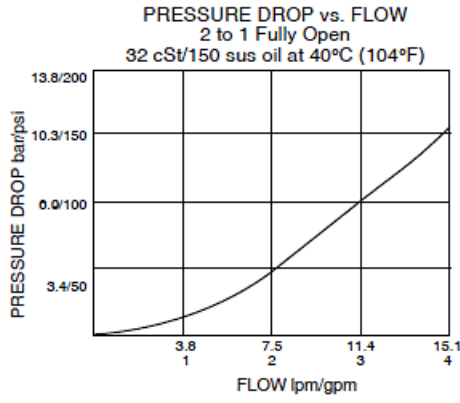
Fluids	Mineral based or synthetic hydraulic fluid with lubricating properties
Fluid viscosity range	7.4 to 420 cSt
Maximum operating contamination level	20/18/14 per ISO 4406

Properties

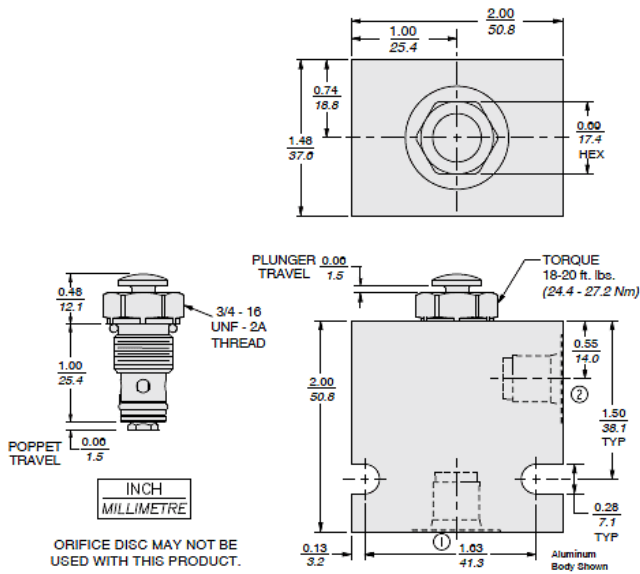
Operating force required	7.3 kg (16 lb)	- Note: At 69 bar (1000 psi)
	9.1 kg (20 lb)	- Note: At 138 bar (2000 psi)
	11.4 kg (25 lb)	- Note: At 241 bar (3500 psi)
Unit weight	0.03 kg (0.07 lb)	
Internal wetted surface area	39 cm ² (6.1 in ²)	



Performance



Dimensions



Installation Specifications

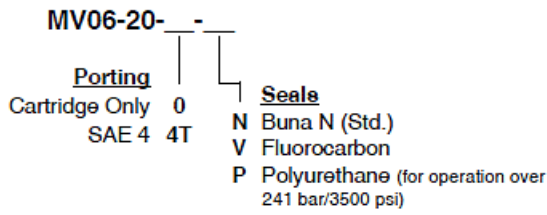
Cavity	VC06-2A
Cartridge installation torque	25.8 to 28.5 N-m (19 to 21 ft-lb)
Orientation restriction	None

Accessories

Seal kit	SK06-2X-T	- Note: X = seal option
Housings		



Order Code



POSITION	CODE	DESCRIPTION
		MV06-20-H-J
H		Line Body
H	0	No Body
J		Seal
J	N	Buna-N
J	V	Fluorocarbon
J	P	Polyurethane
J	U	PPDI Urethane