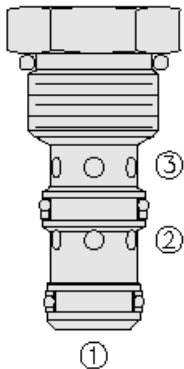




## Overview



### Description

The PC10-32 is a screw-in, cartridge style, pilot operated, hydraulic check valve

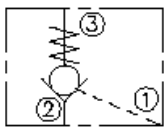
### Operation

The valve allows free flow from ports 2 to 3, while normally blocking flow from ports 3 to 2. Flow will be allowed from ports 3 to 2 when pressure is applied at port 1. The pilot ratio is 2 to 1

### Features

- Hardened seat for long life and low leakage.
- Optional sealed piston.
- Industry common cavity.

### Symbol



## Ratings

### Pressure Ratings

Pressure rating 241 bar (3500 psi)

### Flow Ratings

Flow rating 30 lpm (8 gpm)  
 Maximum internal leakage 5 drops/min - **Note:** Between ports 3 and 2 at 207 bar (3000 psi)  
 115 ml/min (7 in<sup>3</sup>/min) - **Note:** Between ports 2 and 1 at 207 bar (3000 psi)  
 0 ml/min (0 in<sup>3</sup>/min) - **Note:** Between ports 2 and 1 with sealed piston

### Temperature Ratings

Operating fluid temperature -40 to 100 °C (-40 to 212 °F) - **Note:** With buna N seals  
 -26 to 204 °C (-15 to 400 °F) - **Note:** With viton seals  
 -54 to 107 °C (-65 to 225 °F) - **Note:** With polyurethane seals  
 Storage temperature -40 to 70 °C (-40 to 160 °F)  
 Ambient temperature -40 to 70 °C (-40 to 160 °F)

## Operating Parameters

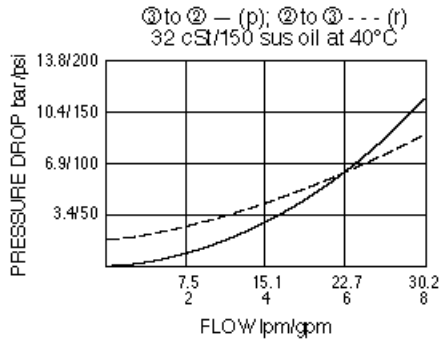
Fluids Mineral based or synthetic hydraulic fluid with lubricating properties  
 Fluid viscosity range 7.4 to 420 cSt  
 Maximum operating contamination level 20/18/14 per ISO 4406

## Properties

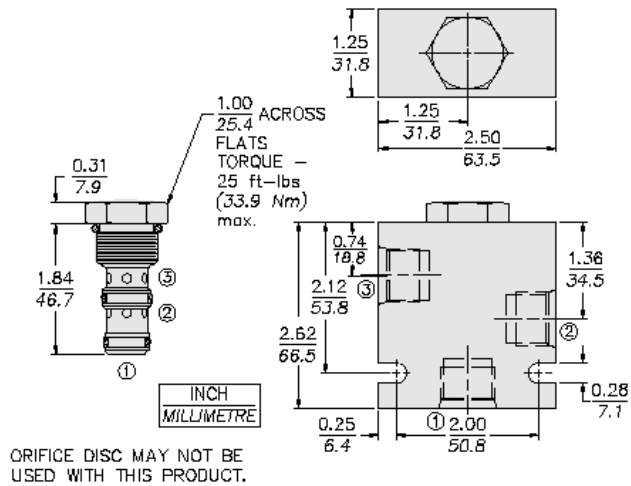
Unit weight 0.1 kg (0.21 lb)  
 Internal wetted surface area 107 cm<sup>2</sup> (16.6 in<sup>2</sup>)



## Performance



## Dimensions



## Materials

### Materials

**Cartridge:** Weight: 0.09 kg (0.20 lb); Steel with hardened work surfaces. Zinc-plated exposed surfaces; Buna N O-rings and back-ups standard.

**Standard Ported Body:** Weight: 0.36 kg (0.80 lb); Anodized high-strength 6061 T6 aluminum alloy, rated to 207 bar (3000 psi). Ductile iron bodies available; dimensions may differ.

## Installation Specifications

Cavity	VC10-3
Cartridge installation torque	32.6 to 35.4 N-m (24 to 26 ft-lb)
Orientation restriction	None

## Accessories

Seal kit	SK10-3X-TM	- <b>Note:</b> X = seal option
Housings		



## Order Code

PC10-32 -

<p><b>Porting</b></p> <p>Cartridge Only <b>0</b></p> <p>SAE 6 <b>6T</b></p> <p>SAE 8 <b>8T</b></p> <p>1/4 in. BSP* <b>2B</b></p> <p>3/8 in. BSP* <b>3B</b></p> <p>*BSP Body; U.K. Mfr. Only</p>	<p><b>Bias Spring</b></p> <p><b>30</b> 2.1 bar/30 psi</p> <p><b>100</b> 6.9 bar/100 psi</p> <p>Note: Non-standard bias spring pressures available for OEM applications. Consult factory.</p>
---	--

<p><b>Seals</b></p> <p><b>N</b> Buna N (Std.) 2.07 bar (30 psi) spring</p> <p><b>NS</b> Buna N with Sealed Piston 6.9 bar (100 psi) spring minimum</p> <p><b>V</b> Fluorocarbon 2.07 bar (30 psi) spring</p> <p><b>VS</b> Fluorocarbon with Sealed Piston 6.9 bar (100 psi) spring minimum</p>
--

POSITION	CODE	DESCRIPTION
		PC10-32-H-J-R
H		Line Body
H	0	No Body
H	6T	Aluminum SAE 6
H	8T	Aluminum SAE 8
H	6TD	Ductile Iron SAE 6
H	8TD	Ductile Iron SAE 8
H	3B	Aluminum BSPP 3/8" (3)
H	3BD	Ductile Iron BSPP 3/8" (3)
J		Seal
J	N	Buna-N
J	NS	Buna-N with a Sealed Spool
J	V	Fluorocarbon
J	VS	Fluorocarbon with a Sealed Spool
J	P	Polyurethane
J	PS	Polyurethane with a Sealed Spool
J	U	PPDI Urethane
J	US	PPDI Urethane with a Sealed Spool
R		Spring
R	30	30 psi Bias Spring
R	100	100 psi Bias Spring