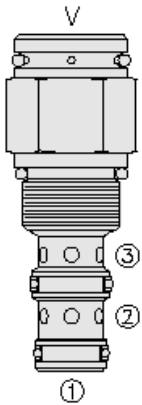




Overview



Description

The PD10-30 is a screw-in, cartridge style, pilot-operated, spool type, normally open, hydraulic directional valve

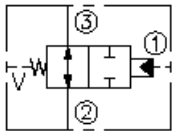
Operation

In neutral position the valve allows flow from port 3 to 2 bi-directionally. The spring chamber is vented to atmosphere "v" which is internally o-ring sealed from the cartridge flow paths. On remote pilot signal at port 1, the valve's spool shifts to block flow from port 3 to 2. Because of the vented spring chamber, the cartridge may be fully pressurized at any port without affecting required pilot pressure

Features

- Hardened spool and cage for long life.
- Industry common cavity.

Symbol



Ratings

Pressure Ratings

Pressure rating 241 bar (3500 psi)

Flow Ratings

Flow rating 38 lpm (10 gpm)

Maximum internal leakage 82 ml/min (5 in³/min) - **Note:** From port 1 and 2 and from port 2 and 3 (when piloted), at 207 bar (3500 psi)
0 lpm (0 gpm) - **Note:** Port 1 and 2 with sealed spool

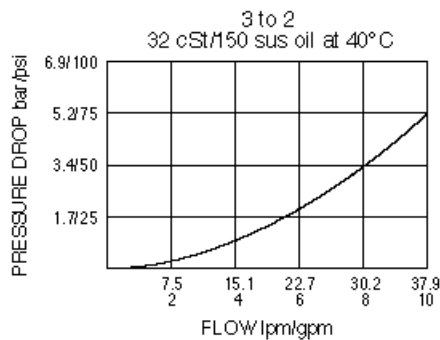
Temperature Ratings

Operating fluid temperature -40 to 120 °C (-40 to 248 °F)

Properties

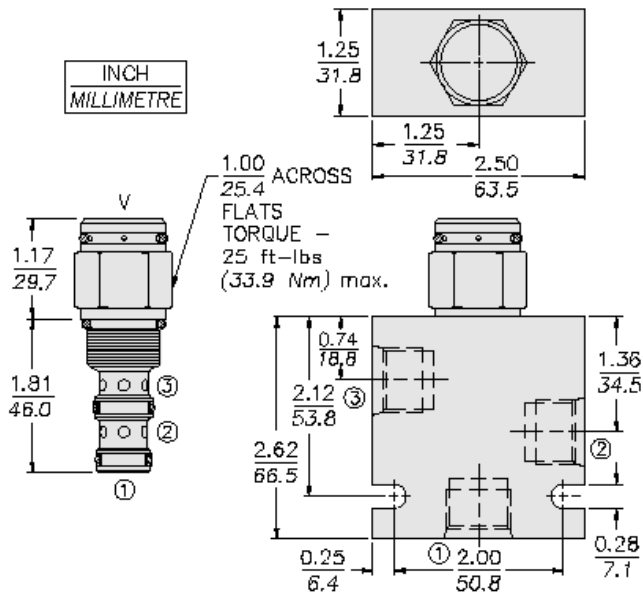
Materials steel with work surfaces hardened. External surfaces are zinc plated
Unit weight 0.15 kg (0.34 lb)

Performance





Dimensions



Materials

Materials

Cartridge: Weight: 0.15 kg (0.34 lb); Steel with hardened work surfaces. Zinc-plated exposed surfaces; Buna N O-rings and polyester elastomer back-ups standard.

Standard Ported Body: Weight: 0.36 kg (0.80 lb); Anodized high-strength 6061 T6 aluminum alloy, rated to 207 bar (3000 psi). Ductile iron bodies available; dimensions may differ.

Accessories

Seal kit	SK10-3N-MM	- Note: Buna N
	SK10-3V-MM	- Note: Viton
	SK10-3P-MM	- Note: Polyurethane
Housings		



Order Code

POSITION	CODE	DESCRIPTION
		PD10-30C-H-J-R
C		Tall Cap
C	BLANK	Standard Cap
C	T	Tall Cap
H		Line Body
H	0	No Body
H	6T	Aluminum SAE 6
H	8T	Aluminum SAE 8
H	6TD	Ductile Iron SAE 6
H	8TD	Ductile Iron SAE 8
H	3B	Aluminum BSPP 3/8" (3)
H	3BD	Ductile Iron BSPP 3/8" (3)
J		Seal
J	N	Buna-N
J	NS	Buna-N with a Sealed Spool
J	V	Fluorocarbon
J	VS	Fluorocarbon with a Sealed Spool
J	P	Polyurethane
J	PS	Polyurethane with a Sealed Spool
J	U	PPDI Urethane
J	US	PPDI Urethane with a Sealed Spool
R		Spring
R	40	40 psi Bias Spring
R	60	60 psi Bias Spring
R	110	110 psi Bias Spring
R	130	130 psi Bias Spring
R	170	170 psi Bias Spring
R	M14.0	14 bar Bias Spring
R	M15.0	15 bar Bias Spring

