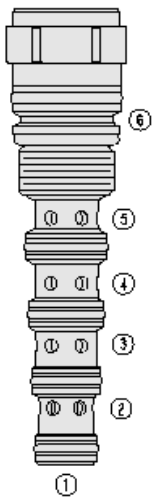




Overview



Description

The PD10-S62 is a screw-in, cartridge style, pilot operated, spool-type, normally closed, hydraulic directional valve.

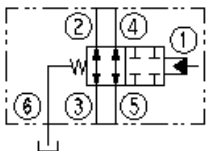
Operation

In the neutral position flow is allowed between ports 2 and 3 and between ports 4 and 5 bidirectionally. On remote pilot signal at port 1 the valve's spool shifts to block flow at all ports, the spring chamber is vented to the tank through port 6. The vented spring chamber allows the valve to be fully pressurized at ports 1, 2, 3, 4, and 5 without affecting required pilot pressure. Pressure at port 6 will affect required pilot pressure.

Features

- Hardened spool and cage for long life.
- Optional sealed spool between ports 1 and 2.

Symbol



Ratings

Pressure Ratings

Pressure rating 250 bar (3625 psi)

Flow Ratings

Flow rating 53 lpm (14 gpm) - **Note:** In any combination of flows between ports 2 and 3 and ports 4 and 5. (e.g. 2 + 12 gpm, 7 + 7 gpm, 10 + 4 gpm, etc.)
 Maximum internal leakage 131 ml/min (8 in³/min) - **Note:** At 250 bar (3625 psi)

Temperature Ratings

Operating fluid temperature	-40 to 100 °C (-40 to 212 °F)	- Note: With buna N seals
	-26 to 204 °C (-15 to 400 °F)	- Note: With fluorocarbon seals
	-54 to 107 °C (-65 to 225 °F)	- Note: With polyurethane and urethane seals
Storage temperature	-40 to 70 °C (-40 to 160 °F)	
Ambient temperature	-40 to 70 °C (-40 to 160 °F)	

Operating Parameters

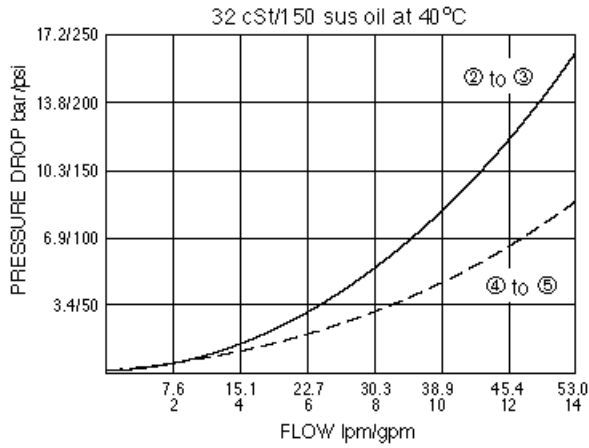
Fluids	Mineral based or synthetic hydraulic fluid with lubricating properties
Fluid viscosity range	7.4 to 420 cSt
Maximum operating contamination level	20/18/14 per ISO 4406

Properties

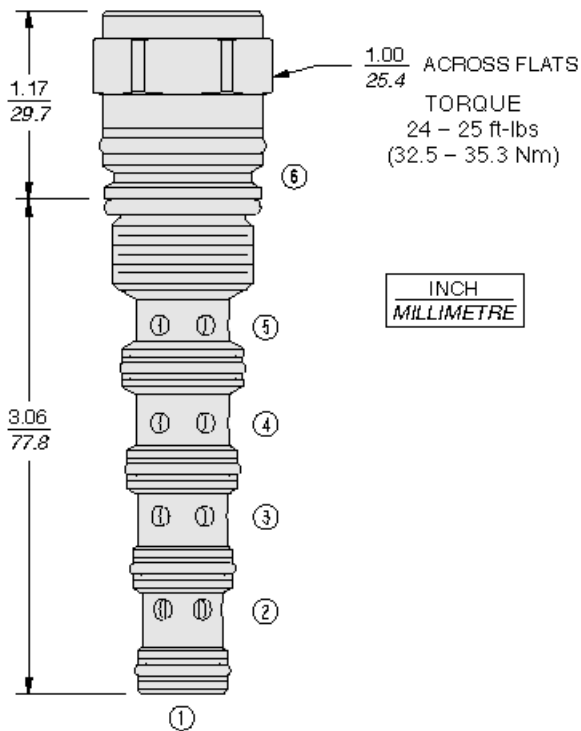
Unit weight	0.20 kg (0.43 lb)
Internal wetted surface area	229 cm ² (35.5 in ²)



Performance



Dimensions



Installation Specifications

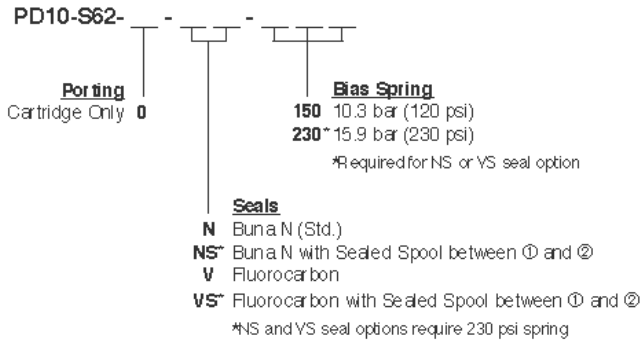
Cavity	VC10-S6
Cartridge installation torque	32.5 to 35.3 N-m (24 to 26 ft-lb)
Maximum allowable torque	67.8 N-m (50 ft-lb)
Orientation restriction	None

Accessories

Seal kit	SK10-S6N-BMMMM	- Note: Buna
	SK10-S6V-BMMMM	- Note: Fluorocarbon
	SK10-S6P-BMMMM	- Note: Polyurethane
	SK10-S6U-OOOOO	- Note: Urethane
Housings		



Order Code



POSITION	CODE	DESCRIPTION
		PD10-S62-H-J-R
H		Line Body
H	0	No Body
J		Seal
J	N	Buna-N
J	NS	Buna-N with a Sealed Spool
J	V	Fluorocarbon
J	VS	Fluorocarbon with a Sealed Spool
J	P	Polyurethane
J	PS	Polyurethane with a Sealed Spool
J	U	PPDI Urethane
J	US	PPDI Urethane with a Sealed Spool
R		Spring
R	150	150 psi Bias Spring
R	230	230 psi Bias Spring