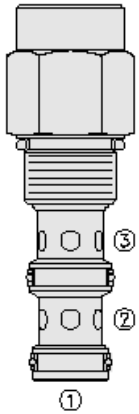




## Overview



### Description

The PD12-32 is a screw-in, cartridge style, pilot-operated, spool type, normally closed, hydraulic directional valve

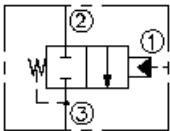
### Operation

In neutral position the valve blocks flow from port 2 to 3. The spring chamber is internally vented to port 3. On remote pilot signal at port 1, the valve's spool shifts to allow flow from port 2 to 3 unidirectionally. Pressure on port 3 will directly (1:1) affect the pilot pressure required and must be added to the bias spring value

### Features

- Hardened spool and cage for long life.
- Industry common cavity.

## Symbol



## Ratings

### Pressure Ratings

Pressure rating 241 bar (3500 psi)

### Flow Ratings

Maximum internal leakage 245 ml/min (5 in<sup>3</sup>/min) - **Note:** At 207 bar (3000 psi)  
0 lpm (0 gpm) - **Note:** From port 1 and 2 with sealed spool

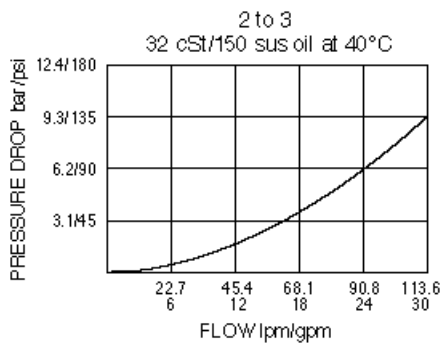
### Temperature Ratings

Operating fluid temperature -40 to 120 °C (-40 to 248 °F)

## Properties

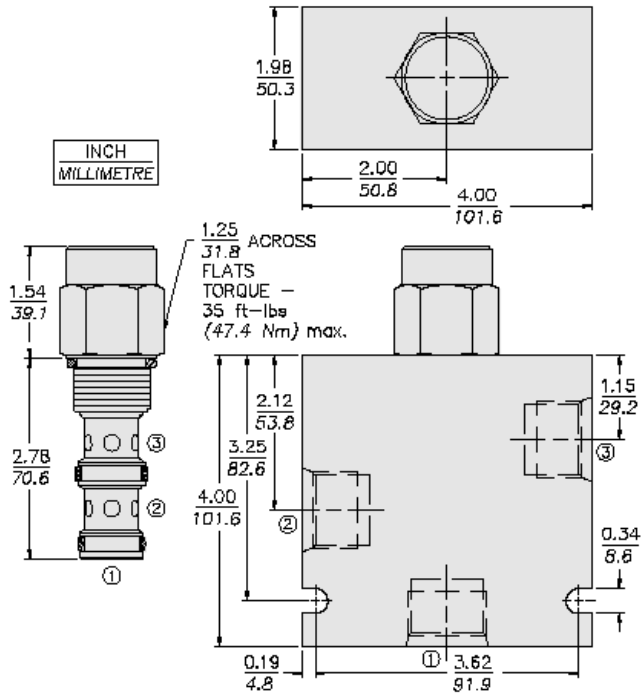
Materials steel with hardened work surfaces; zinc plated exposed surfaces  
Unit weight 0.23 kg (0.50 lb)

## Performance





## Dimensions



## Materials

### Materials

**Cartridge:** Weight: 0.23 kg (0.50 lb); Steel with hardened work surfaces. Zinc-plated exposed surfaces; Buna N O-rings and polyester elastomer back-ups standard.

**Standard Ported Body :** Weight: 1.13 kg (2.50 lb); Anodized high-strength 6061 T6 aluminum alloy, rated to 207 bar (3000 psi). Ductile iron bodies available; dimensions may differ.

## Installation Specifications

Cavity	VC12-3
Cartridge installation torque	44.7 to 50.2 N-m (33 to 37 ft-lb)

## Accessories

Seal kit	SK12-3N-MM	- <b>Note:</b> Buna N
	SK12-3V-MM	- <b>Note:</b> Viton
	SK12-3P-MM	- <b>Note:</b> Polyurethane
Housings		



Order Code

POSITION	CODE	DESCRIPTION
		PD12-32-H-J-R
H		Line Body
H	0	No Body
H	8T	Aluminum SAE 8
H	10T	Aluminum SAE 10
H	12T	Aluminum SAE 12
H	12TD	Ductile Iron SAE 12
J		Seal
J	N	Buna-N
J	NS	Buna-N with a Sealed Spool
J	V	Fluorocarbon
J	VS	Fluorocarbon with a Sealed Spool
J	P	Polyurethane
J	PS	Polyurethane with a Sealed Spool
J	U	PPDI Urethane
J	US	PPDI Urethane with a Sealed Spool
R		Spring
R	110	110 psi Bias Spring
R	170	170 psi Bias Spring

