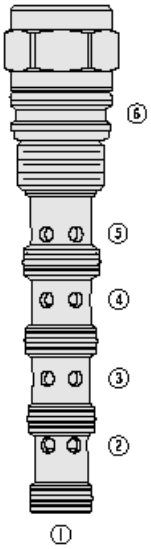




Overview



Description

The PD12-S61N is a screw-in, cartridge style, pilot operated, spool-type, hydraulic directional valve.

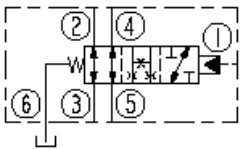
Operation

In the neutral position flow is allowed between ports 2 and 3 and between ports 4 and 5. On remote pilot signal at port 1 the valve's spool shifts to allow flow between ports 3 and 4, while blocking ports 2 and 5. The spring chamber is vented to the tank through port 6. The vented spring chamber allows the valve to be fully pressurized at ports 1, 2, 3, 4, and 5 without affecting required pilot pressure. Pressure at port 6 will affect required pilot pressure.

Features

- Hardened spool and cage for long life.
- 110 and 170 psi bias springs available.

Symbol



Ratings

Pressure Ratings

Pressure rating 241 bar (3500 psi)

Temperature Ratings

Operating fluid temperature -40 to 120 °C (-40 to 248 °F)

Flow Ratings

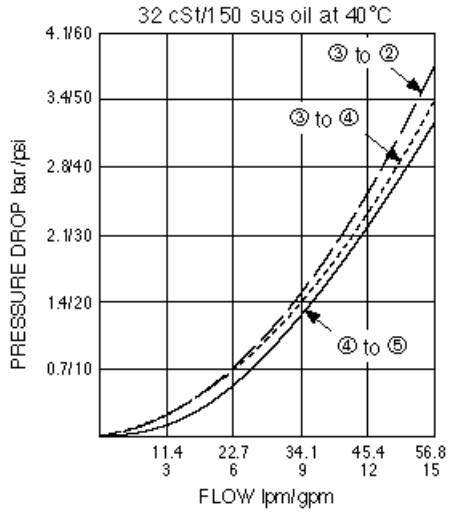
Maximum internal leakage 246 ml/min (15 in³/min) - **Note:** At 207 bar (3000 psi)

Properties

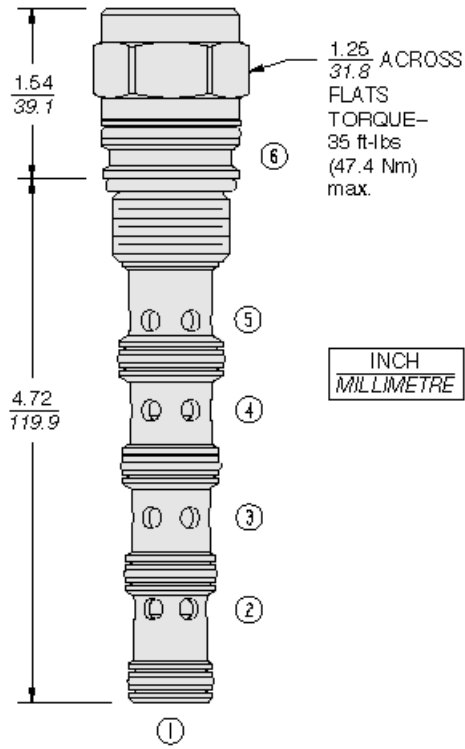
Materials Steel
 Materials Steel with work surfaces hardened, external surfaces are zinc plated. Buna N o-rings standard



Performance



Dimensions

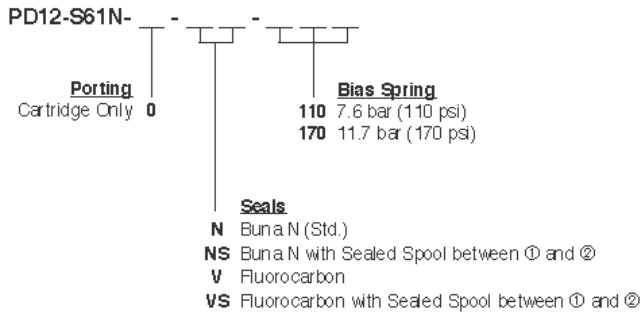


Installation Specifications

Cavity	VC12-S6
Cartridge installation torque	44.7 to 50.2 N-m (33 to 37 ft-lb)



Order Code



Model Options

PD12-S61N-H-J-R

H Line Body

CODE	DESCRIPTION
0	No Body
8TD	Ductile Iron SAE 8
10TD	Ductile Iron SAE 10
12TD	Ductile Iron SAE 12
6BD	Ductile Iron 3/4 in BSPP

J Seal

CODE	DESCRIPTION
N	Buna-N
NS	Buna-N with a Sealed Spool
V	Fluorocarbon
VS	Fluorocarbon with a Sealed Spool
P	Polyurethane
PS	Polyurethane with a Sealed Spool
U	PPDI Urethane
US	PPDI Urethane with a Sealed Spool

R Spring

CODE	DESCRIPTION
110	110 psi Bias Spring
170	170 psi Bias Spring