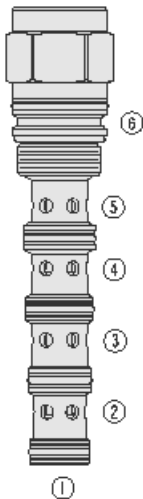




## Overview



### Description

The PD16-S63 is a screw-in, cartridge style, pilot operated, spool-type, hydraulic directional valve

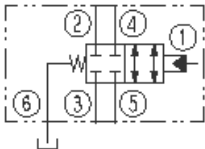
### Operation

In the neutral position all ports are blocked. On remote pilot signal at port 1 the valve's spool shifts to allow flow between ports 2 and 3, and 4 and 5. The spring chamber is vented to the tank through port 6. The vented spring chamber allows the valve to be fully pressurized at ports 1, 2, 3, 4, and 5 without affecting required pilot pressure. Pressure at port 6 will affect required pilot pressure

### Features

- Hardened spool and cage for long life.
- Optional sealed spool between ports 1 and 2.

### Symbol



## Ratings

### Pressure Ratings

Pressure rating 240 bar (3500 psi)

### Temperature Ratings

Operating fluid temperature	-40 to 100 °C (-40 to 212 °F)	- <b>Note:</b> With buna N seals
	-26 to 204 °C (-15 to 400 °F)	- <b>Note:</b> With fluorocarbon seals
	-54 to 107 °C (-65 to 225 °F)	- <b>Note:</b> With polyurethane seals

### Flow Ratings

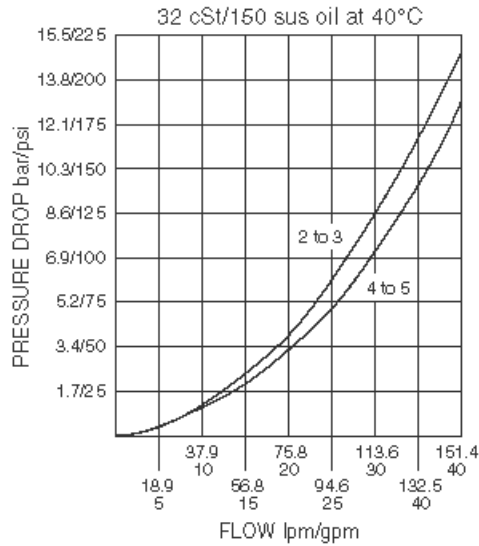
Maximum internal leakage 164 ml/min (10 in<sup>3</sup>/min) - **Note:** At 207 bar (3000 psi)

## Properties

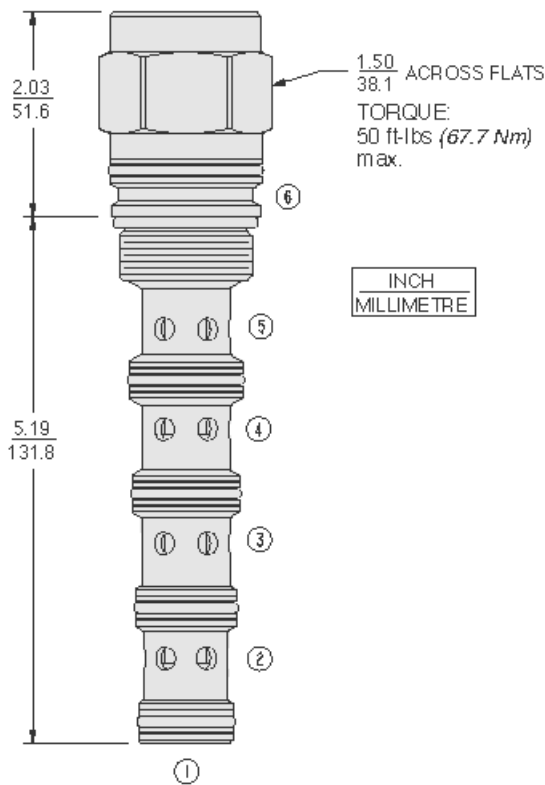
Materials	Steel with work surfaces hardened, external surfaces are zinc plated, buna N o-rings are standard
Unit weight	0.75 kg (1.66 lb)



## Performance



## Dimensions



## Materials

### Materials

**Cartridge:** Weight: 0.75 kg (1.66 lb); Steel with hardened work surfaces. Zinc-plated exposed surfaces; Buna N O-rings and polyester elastomer back-ups standard.

**Ported Body :** Consult factory.

## Installation Specifications

Cavity

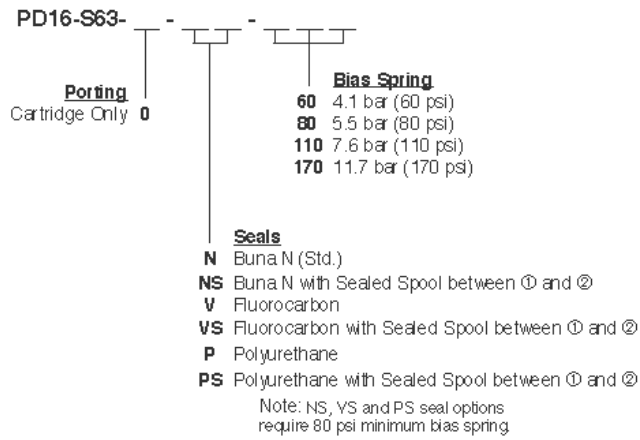
Cartridge installation torque                      62.4 to 73.2 N-m (46 to 54 ft-lb)



**Accessories**

Seal kit SK16-6X-BMMMM  
Housings

**Order Code**



POSITION	CODE	DESCRIPTION
		PD16-S63-H-J-R
H		Line Body
H	0	No Body
J		Seal
J	N	Buna-N
J	NS	Buna-N with a Sealed Spool
J	V	Fluorocarbon
J	VS	Fluorocarbon with a Sealed Spool
J	P	Polyurethane
J	PS	Polyurethane with a Sealed Spool
J	U	PPDI Urethane
J	US	PPDI Urethane with a Sealed Spool
R		Spring
R	60	60 psi Bias Spring
R	80	80 psi Bias Spring
R	110	110 psi Bias Spring
R	170	170 psi Bias Spring