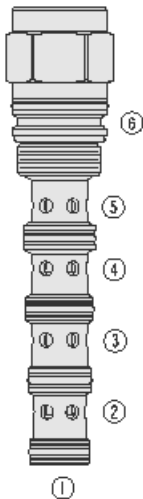




Overview



Description

The PD16-S67D is a screw-in, cartridge style, pilot operated, spool-type, hydraulic directional valve.

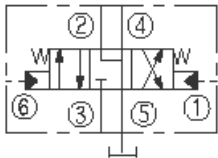
Operation

In the neutral position flow is allowed between ports 2, 4 and 5. On remote pilot signal at port 1 the valve's spool shifts to allow flow between ports 3 and 4, and between ports 2 and 5. On remote pilot signal at port 6 the valve's spool shifts to allow flow between ports 3 and 2, and between ports 4 and 5.

Features

- Hardened spool and cage for long life.
- 110 and 170 psi bias springs available.

Symbol



Ratings

Pressure Ratings

Pressure rating 241 bar (3500 psi)

Flow Ratings

Flow rating See performance graph

Maximum internal leakage 164 ml/min (10 in³/min) - **Note:** At 241 bar (3500 psi)

Temperature Ratings

Operating fluid temperature	-40 to 100 °C (-40 to 212 °F)	- Note: With buna N seals
	-26 to 204 °C (-15 to 400 °F)	- Note: With fluorocarbon seals
	-54 to 107 °C (-65 to 225 °F)	- Note: With polyurethane seals
Storage temperature	-40 to 70 °C (-40 to 160 °F)	
Ambient temperature	-40 to 90 °C (-40 to 194 °F)	

Operating Parameters

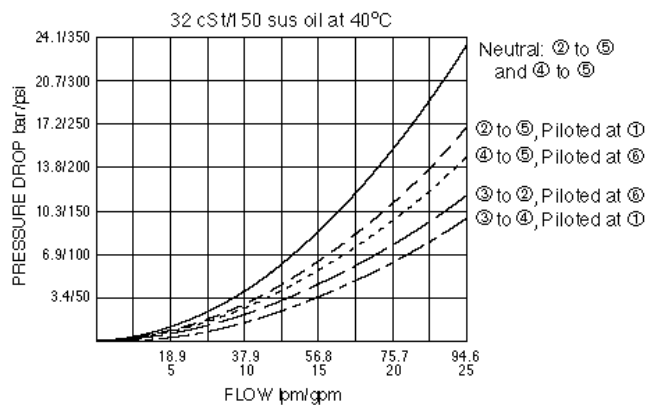
Fluids	Mineral based or synthetic hydraulic fluid with lubricating properties
Fluid viscosity range	7.4 to 420 cSt
Maximum operating contamination level	20/18/14 per ISO 4406

Properties

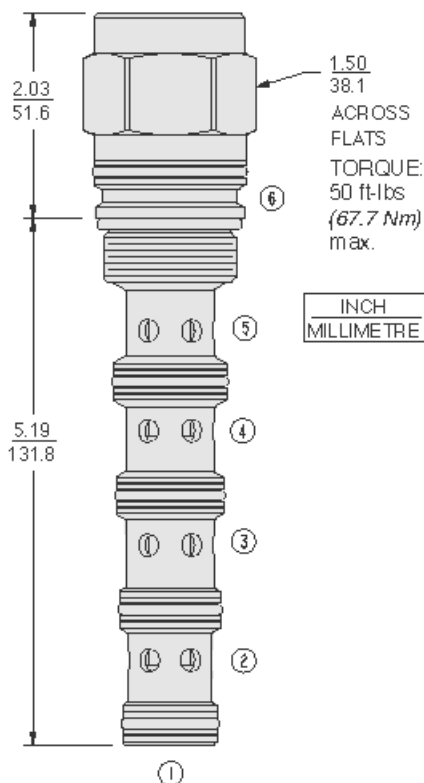
Unit weight	0.83 kg (1.84 lb)
Internal wetted surface area	623 cm ² (96.6 in ²)



Performance



Dimensions



Installation Specifications

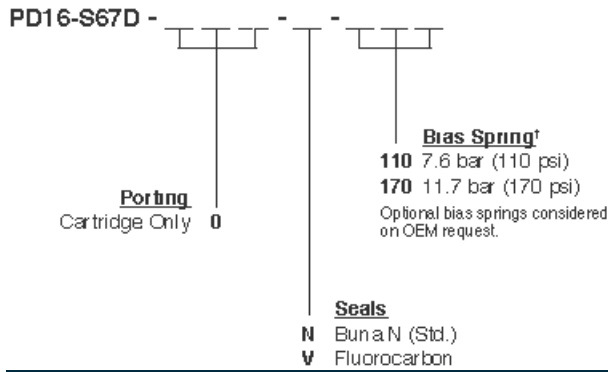
Cavity	VC16-S6
Cartridge installation torque	62.4 to 73.2 N-m (46 to 54 ft-lb)
Maximum allowable torque	136 N-m (100 ft-lb)
Orientation restriction	None

Accessories

Seal kit	SK16-S6X-BMMMM	- Note: X = seal option
Housings		



Order Code



POSITION	CODE	DESCRIPTION
		PD16-S67D-H-J-R
H		Line Body
H	0	No Body
J		Seal
J	N	Buna-N
J	NS	Buna-N with a Sealed Spool
J	V	Fluorocarbon
J	VS	Fluorocarbon with a Sealed Spool
J	P	Polyurethane
J	PS	Polyurethane with a Sealed Spool
J	U	PPDI Urethane
J	US	PPDI Urethane with a Sealed Spool
R		Spring
R	110	110 psi Bias Spring
R	170	170 psi Bias Spring