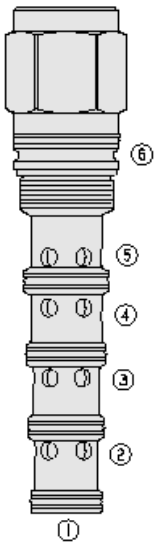




Overview



Description

The PD42-S60N is a screw-in, cartridge style, pilot operated, spool-type, hydraulic directional valve.

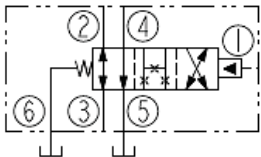
Operation

In the neutral position flow is allowed between ports 2 and 3 and between ports 4 and 5. On remote pilot signal at port 1 the valve's spool shifts to allow flow between ports 3 and 4, and between ports 2 and 5. The spring chamber is vented to the tank through port 6. The vented spring chamber allows the valve to be fully pressurized at ports 2, 3 and 4 without affecting required pilot pressure. Pressure at port 6 will affect required pilot pressure.

Features

- Hardened spool and cage for long life.
- Optional sealed spool.

Symbol



Ratings

Pressure Ratings

Pressure rating	324 bar (4700 psi)	- Note: Ports 2, 3, 4
	207 bar (3000 psi)	- Note: Port 1
Burst pressure	1241 bar (18000 psi)	

Flow Ratings

Flow rating	189 lpm (50 gpm)	
Maximum internal leakage	1.31 l/min (80 in ³ /min)	- Note: At 207 bar (3000 psi)

Temperature Ratings

Operating fluid temperature	-40 to 100 °C (-40 to 212 °F)	- Note: With buna N seals
	-26 to 204 °C (-15 to 400 °F)	- Note: With viton seals
	-54 to 107 °C (-65 to 225 °F)	- Note: With polyurethane seals
Storage temperature	-40 to 70 °C (-40 to 160 °F)	
Ambient temperature	-40 to 70 °C (-40 to 160 °F)	

Operating Parameters

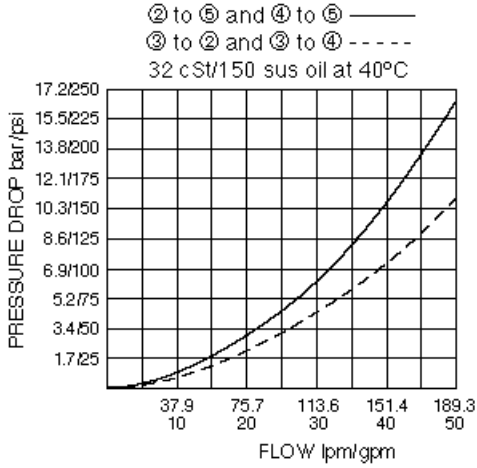
Fluids	Mineral based or synthetic hydraulic fluid with lubricating properties
Fluid viscosity range	7.4 to 420 cSt
Maximum operating contamination level	20/18/14 per ISO 4406

Properties

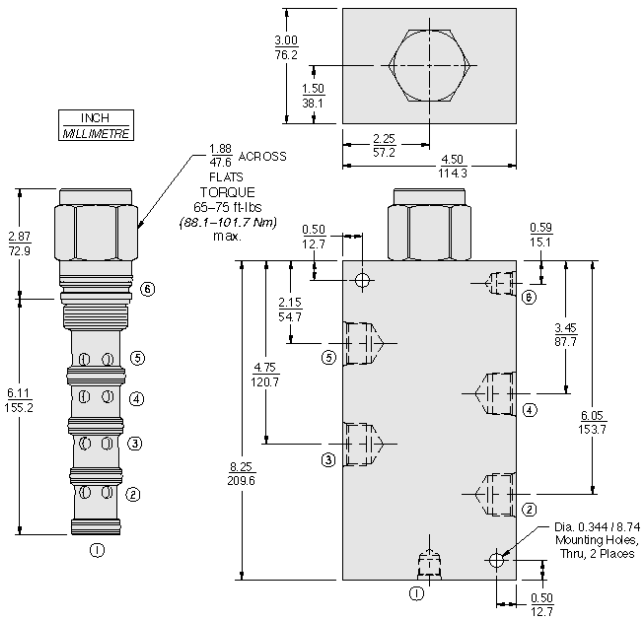
Unit weight	1.6 kg (3.5 lb)
Internal wetted surface area	942 cm ² (146 in ²)



Performance



Dimensions



Installation Specifications

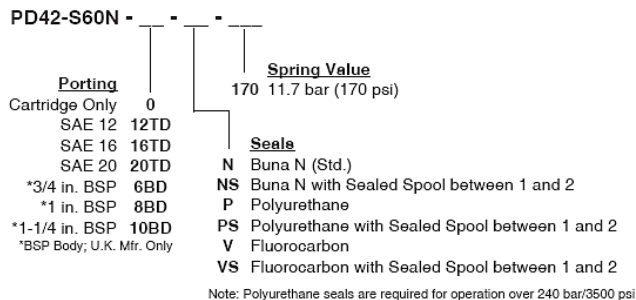
Cavity	VC42-S6
Cartridge installation torque	88.1 to 101.7 N-m (65 to 75 ft-lb)
Orientation restriction	None

Accessories

Seal kit	SK42-S6X-BMMMM	- Note: X = seal option
Housings		



Order Code



POSITION	CODE	DESCRIPTION
		PD42-S60N-H-J-R
H		Line Body
H	0	No Body
H	20TD	Ductile Iron SAE 20
J		Seal
J	N	Buna-N
J	NS	Buna-N with a Sealed Spool
J	V	Fluorocarbon
J	VS	Fluorocarbon with a Sealed Spool
J	P	Polyurethane
J	PS	Polyurethane with a Sealed Spool
J	U	PPDI Urethane
J	US	PPDI Urethane with a Sealed Spool
R		Spring
R	170	170 psi Bias Spring