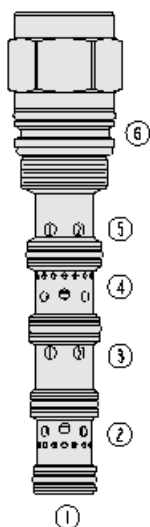




Overview



Description

The PE16-S67K is a screw-in, cartridge style, proportional, spring centered spool, pilot operated hydraulic directional valve.

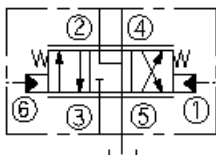
Operation

In neutral position inlet port 3 is blocked and ports 2, 4 and 5 are communicating with each other. On remote pilot signal at port 1 the valve's spool shifts proportionally to the applied pilot pressure to allow flow from port 3 to port 4, thru a load, such as hydraulic cylinder or motor, and then from port 2 to port 5 and to tank (port 2 is open during transition). On remote pilot signal at port 6 the valve's spool shifts proportionally to the applied pressure in opposite direction thus reversing the flow direction (port 4 is open during transition). The valve's spool is non-symmetrical providing only meter-in control.

Features

- Hardened spool and cage for long life.
- Cost-effective cavity.
- Excellent metering characteristics.
- Good Linearity.

Symbol



Ratings

Pressure Ratings

Pressure rating	345 bar (5000 psi)	- Note: For port 3
	241 bar (3500 psi)	- Note: For ports 2 and 4
	28 bar (400 psi)	- Note: For ports 1 and 6
Note	Polyurethane seals are recommended for 345 bar (5000 psi)	
Note	Available aluminum bodies for this product are rated 241 bar (3500 psi)	

Flow Ratings

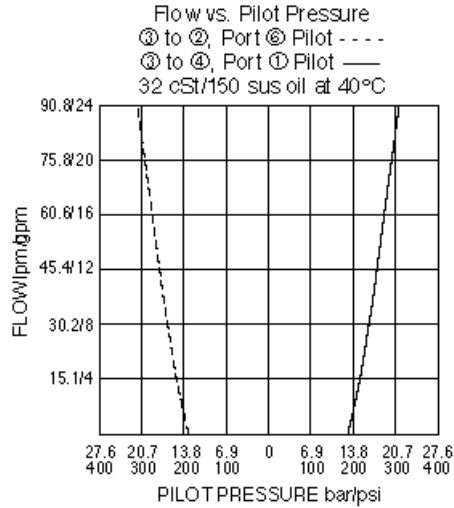
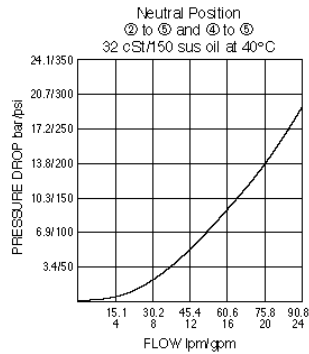
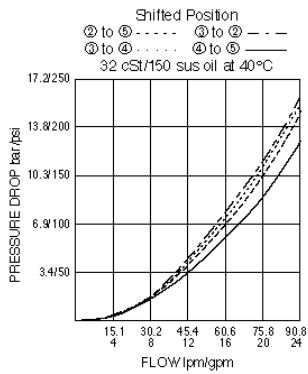
Maximum internal leakage	197 ml/min (12 in ³ /min)	- Note: At 207 bar (3000 psi)
--------------------------	--------------------------------------	--------------------------------------

Properties

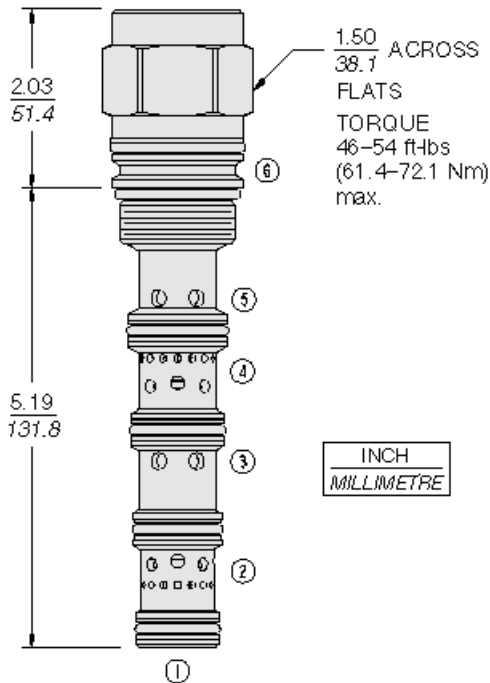
Displacement per stroke	1.14 cm ³ (0.069 in ³)	- Note: per stroke direction
Materials	steel with work surfaces hardened, external surfaces are zinc plated buna N o-rings are standard	
Unit weight	0.76 kg (1.68 lb)	



Performance



Dimensions



Installation Specifications

Cavity	VC16-S6
Cartridge installation torque	62.4 to 73.2 N-m (46 to 54 ft-lb)

Accessories

Seal kit	SK16-S6N-BMMMM	- Note: Buna N
	SK16-S6V-BMMMM	- Note: Viton
	SK16-S6P-BMMMM	- Note: Polyurethane
Housings		



Order Code

PE16-S67K - -

Porting
 Cartridge Only 0

Seals
N Buna N (Std.)
P Polyurethane (for pressures over 240 bar/3500 psi)
V Fluorocarbon

POSITION	CODE	DESCRIPTION
		PE16-S67K-H-J
H		Line Body
H	0	No Body
J		Seal
J	N	Buna-N
J	V	Fluorocarbon
J	P	Polyurethane
J	U	PPDI Urethane