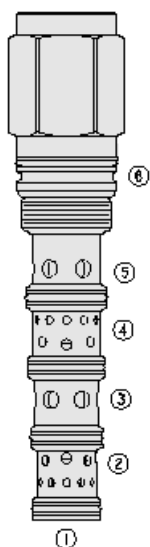




## Overview



### Description

The PE42-S67D is a screw-in, cartridge-style, proportional, spring centered spool type, pilot operated hydraulic directional valve

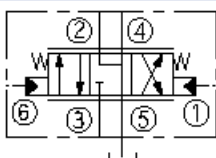
### Operation

In neutral position inlet port 3 is blocked and ports 2, 4 and 5 are communicating with each other. On remote pilot signal at port 1 the valve's spool shifts proportionally to the applied pilot pressure to allow flow from port 3 to port 4, thru a load, such as hydraulic cylinder or motor, and then from port 2 to port 5 and to tank. On remote pilot signal at port 6 the valve's spool shifts proportionally to the applied pressure in opposite direction thus reversing the flow direction. The valve's spool is symmetrical providing meter-in and meter-out control

### Features

- Hardened spool and cage for long life. Cost-effective ISO cavity. Excellent metering characteristics. Good Linearity.

### Symbol



## Ratings

### Pressure Ratings

Pressure rating	345 bar (5000 psi)	- <b>Note:</b> Port 3
	241 bar (3500 psi)	- <b>Note:</b> Ports 2, 4
	27.6 bar (400 psi)	- <b>Note:</b> Ports 1, 6

### Flow Ratings

Flow rating	170 lpm (45 gpm)	
Maximum internal leakage	737 ml/min (45 in <sup>3</sup> /min)	- <b>Note:</b> At 207 bar (3000 psi)

### Temperature Ratings

Operating fluid temperature	-40 to 100 °C (-40 to 212 °F)	- <b>Note:</b> With buna N seals
	-26 to 204 °C (-15 to 400 °F)	- <b>Note:</b> With fluorocarbon seals
	-54 to 107 °C (-65 to 225 °F)	- <b>Note:</b> With polyurethane seals
Storage temperature	-40 to 70 °C (-40 to 160 °F)	
Ambient temperature	-40 to 90 °C (-40 to 194 °F)	

## Operating Parameters

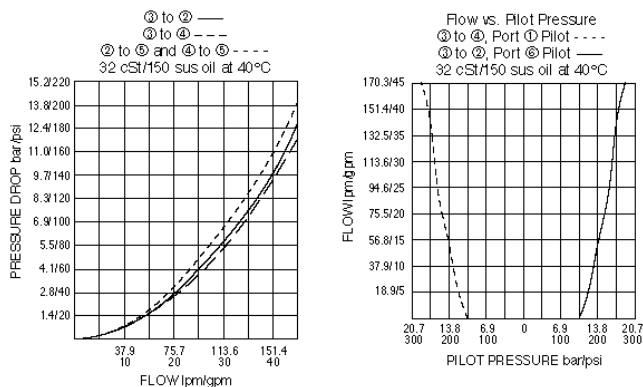
Fluids	Mineral based or synthetic hydraulic fluid with lubricating properties
Fluid viscosity range	7.4 to 420 cSt
Maximum operating contamination level	18/16/13 per ISO 4406

## Properties

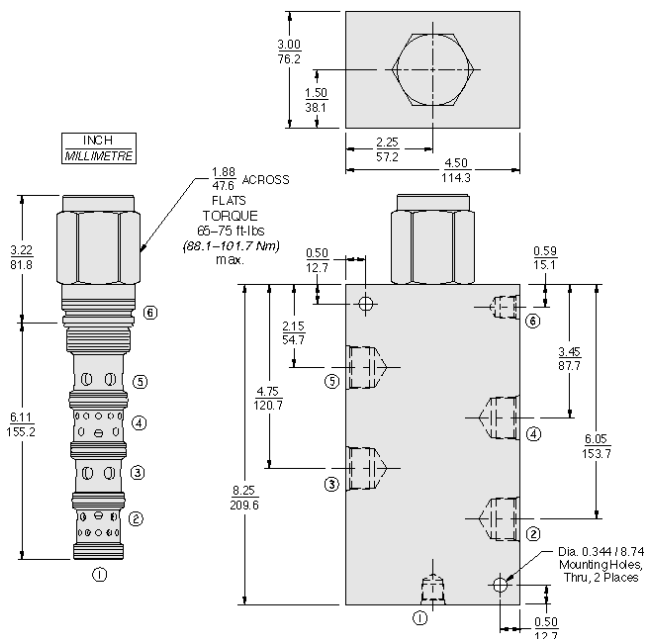
Displacement per stroke	3.46 cm <sup>3</sup> (0.211 in <sup>3</sup> )	- <b>Note:</b> per stroke direction
Unit weight	1.7 kg (3.8 lb)	
Internal wetted surface area	1016 cm <sup>2</sup> (157.5 in <sup>2</sup> )	



## Performance



## Dimensions



## Materials

### Materials

**Cartridge:** Weight: 0.76 kg (1.68 lb); Steel with hardened work surfaces. Zinc-plated exposed surfaces; Buna N O-rings and polyester elastomer back-ups standard.

**Ported Body:** Ductile iron, rated to 345 bar (5000 psi).

## Installation Specifications

Cavity	VC42-S6
Cartridge installation torque	88.1 to 101.7 N-m (65 to 75 ft-lb)
Maximum allowable torque	189.8 N-m (140 ft-lb)
Orientation restriction	None

## Accessories

Seal kit	SK42-S6X-BMMMM	- Note: X = seal option
Housings		



Order Code

POSITION	CODE	DESCRIPTION
		PE42-S67D-H-J
H		Line Body
H	0	No Body
H	20TD	Ductile Iron SAE 20
J		Seal
J	N	Buna-N
J	V	Fluorocarbon
J	P	Polyurethane
J	U	PPDI Urethane

PE42-S67D - -

- Porting**
- Cartridge Only **0**
  - SAE 12 **12TD**
  - SAE 16 **16TD**
  - SAE 20 **20TD**
  - \*3/4 in. BSP **6BD**
  - \*1 in. BSP **8BD**
  - \*1-1/4 in. BSP **10BD**
- \*BSP Body; U.K. Mfr. Only

- Seals**
- N** Buna N (Std.)
  - P** Polyurethane (Required for pressures over 240 bar/3500 psi)
  - V** Fluorocarbon