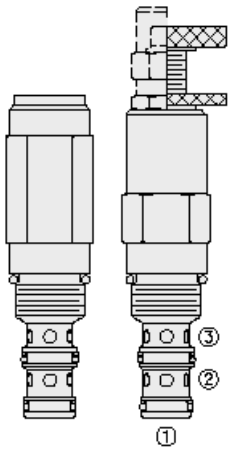




Overview



Description

PS10-33X is a screw in, cartridge style, direct acting, spool type hydraulic sequence valve with external pilot

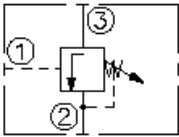
Operation

The PS10-33X blocks flow from port 3 to port 2 until sufficient pressure is present at port 1 to shift and allow flow from port 3 to port 2

Features

- Adjustments cannot be backed out of the valve.
- Adjustments prohibit springs from going solid.
- Optional spring ranges to 240 bar (3500 psi).
- Hardened spool and cage for long life.
- Industry-common size.

Symbol



Ratings

Pressure Ratings

Pressure rating	241.3 bar (3500 psi)	- Note: Port 1
	103.4 bar (1500 psi)	- Note: Port 2
	241.3 bar (3500 psi)	- Note: Port 3
Proof pressure	482.6 bar (7000 psi)	
Burst pressure	965.3 bar (14000 psi)	
Sequence pressure	34.5 to 241.3 bar (500 to 3500 psi)	

Flow Ratings

Flow rating	18.9 lpm (5 gpm)	
Maximum internal leakage	82 ml/min (5 in ³ /min)	- Note: Max at port 2, 90% of nominal setting

Temperature Ratings

Operating fluid temperature	-40 to 100 °C (-40 to 212 °F)	- Note: With buna N seals
	26 to 204 °C (-15 to 400 °F)	- Note: With viton seals
Storage temperature	-40 to 70 °C (-40 to 160 °F)	
Ambient temperature	-40 to 70 °C (-40 to 160 °F)	

Operating Parameters

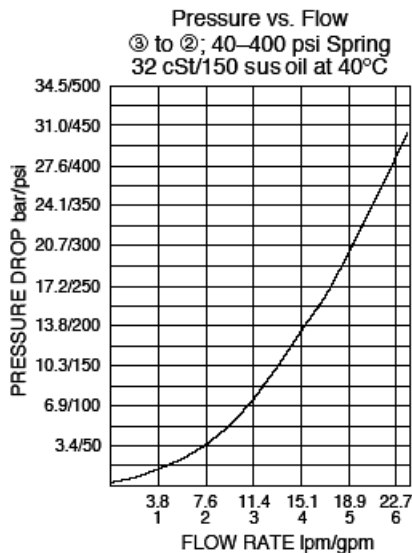
Fluids	Mineral based or synthetic with lubricating properties
Fluid viscosity range	7.4 to 420 cSt
Maximum operating contamination level	18/16/13 per ISO 4406

Properties

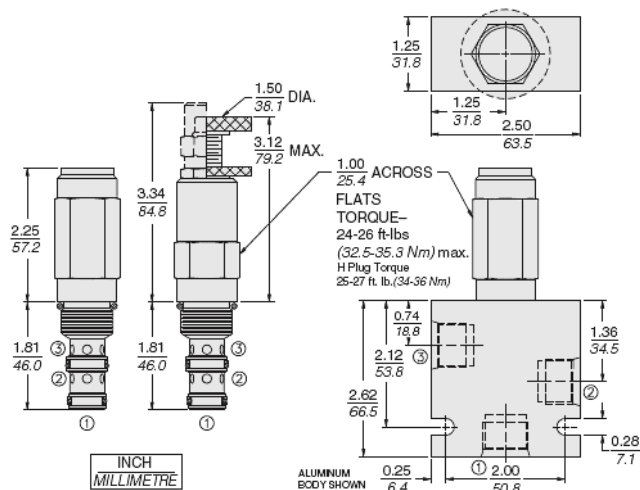
Unit weight	0.27 kg (0.59 lb)	- Note: A
	0.29 kg (0.64 lb)	- Note: B
	0.31 kg (0.69 lb)	- Note: C I
	0.26 kg (0.57 lb)	- Note: F h
Internal wetted surface area	148 cm ² (22.9 in ²)	- Note: A b c I
	163 cm ² (25.3 in ²)	- Note: F h



Performance



Dimensions



Materials

Materials

Cartridge: Weight: 0.27 kg (0.60 lb); Steel with hardened work surfaces. Zinc-plated exposed surfaces; Buna N O-rings and polyester elastomer back-ups standard. Anodized aluminum knobs and caps.

Standard Ported Body: Weight: 0.36 kg (0.80 lb); Anodized high-strength 6061 T6 aluminum alloy, rated to 207 bar (3000 psi); Ductile iron bodies available; dimensions may differ.

Adjustment Option Details: See [adjustment options](#)

Installation Specifications

Cavity	VC10-3
Cartridge installation torque	32.5 to 35.3 N-m (24 to 26 ft-lb)
H style plug torque	33.9 N-m (25 ft-lb)
Orientation restriction	None

Accessories

Seal kit	SK10-3X-TB	- Note: X=seal option
Housings		



Order Code

POSITION	CODE	DESCRIPTION
		PS10-33F-H-J-R/S
F		Adjustment Option
F	A	1/4" Hex Allen Head
F	B	1-1/2" Diameter Aluminum Knob with Aluminum Lock Knob
F	C	1/4" Hex Allen Head with Cover Cap
F	F	Factory Preset Non-Adjustable
F	H	Factory Preset Hidden Adjustment
F	L	1/4" Hex Allen Head with Cover Cap and Lockwire Holes
H		Line Body
H	0	No Body
H	6T	Aluminum SAE 6
H	8T	Aluminum SAE 8
H	6TD	Ductile Iron SAE 6
H	8TD	Ductile Iron SAE 8
H	3B	Aluminum BSPP 3/8" (3)
H	3BD	Ductile Iron BSPP 3/8" (3)
J		Seal
J	N	Buna-N
J	V	Fluorocarbon
J	P	Polyurethane
J	U	PPDI Urethane
R		Spring
R	35	34.5 to 241.3 bar (500 to 3500 psi) Spring Range
S		Setting
S	MXXX	Spring Setting in XXX bar
S	XX	Spring Setting in XX psi (x 100)

