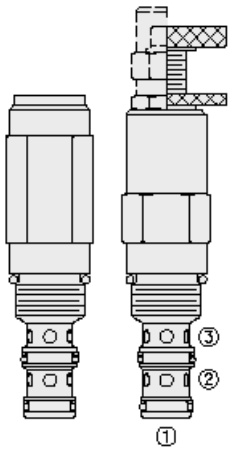




Overview



Description

The GPS50-36X is a spool type, pilot operated, adjustable, internally piloted, externally vented, hydraulic sequence valve.

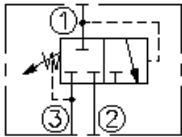
Operation

It is designed to direct flow from port 1 to port 2 once a predetermined pressure is attained in a circuit. the valve will remain shifted until the pressure in the circuit falls below the pressure setting.

Features

- Adjustments cannot be backed out of the valve
- Adjustments prohibit springs from going solid
- Optional spring ranges to 345 bar (5000 psi)
- Hardened spool and cage for long life
- Industry-common size

Symbol



Ratings

Pressure Ratings

Pressure rating	344.7 bar (5000 psi)	
Sequence pressure	344.7 bar (5000 psi)	
Proof pressure	517.1 bar (7000 psi)	- Note: Ports 1, 2
	103.4 bar (1500 psi)	- Note: Port 3
Burst pressure	1034 bar (15000 psi)	
Pressure setting defined	Pressure evident at 0.95 lpm (0.25 gpm) attained port 1 to port 2	

Flow Ratings

Flow rating	56.8 lpm (15 gpm)	
Maximum internal leakage	82 ml/min (5 in ³ /min)	- Note: Port 2 to port 3 to 85% of nominal setting

Temperature Ratings

Operating fluid temperature	-40 to 100 °C (-40 to 212 °F)	- Note: With buna N seals
	-26 to 204 °C (-15 to 400 °F)	- Note: With fluorocarbon seals
	-54 to 107 °C (-65 to 225 °F)	- Note: With polyurethane seals
Storage temperature	-40 to 70 °C (-40 to 160 °F)	
Ambient temperature	-40 to 70 °C (-40 to 160 °F)	

Other Ratings

Corrosion protection	960 hr salt spray per ASTM b117
----------------------	---------------------------------

Operating Parameters

Fluids	Mineral based or synthetic with lubricating properties
Fluid viscosity range	7.4 to 420 cSt
Maximum operating contamination level	18/16/13 per ISO 4406



Properties

Unit weight	0.25 kg (0.56 lb)	- Note: GPS50-36A
	0.28 kg (0.62 lb)	- Note: GPS50-36B
	0.30 kg (0.66 lb)	- Note: GPS50-36C GPS50-36L
	0.25 kg (0.55 lb)	- Note: GPS50-36F GPS50-36H
Internal wetted surface area	166 cm ² (25.7 in ²)	- Note: GPS50-36A GPS50-36B GPS50-36C GPS50-36L
	183 cm ² (28.3 in ²)	- Note: GPS50-36F GPS50-36H

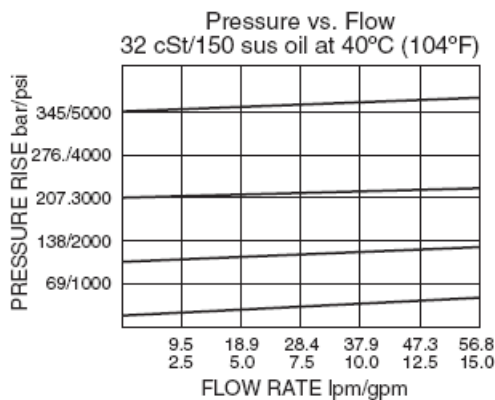
Installation Specifications

Cavity	VC10-3
Cartridge installation torque	44.7 to 50.2 N-m (33 to 37 ft-lb)
H style plug torque	10.8 to 13.6 N-m (8 to 10 ft-lb)
Orientation restriction	None

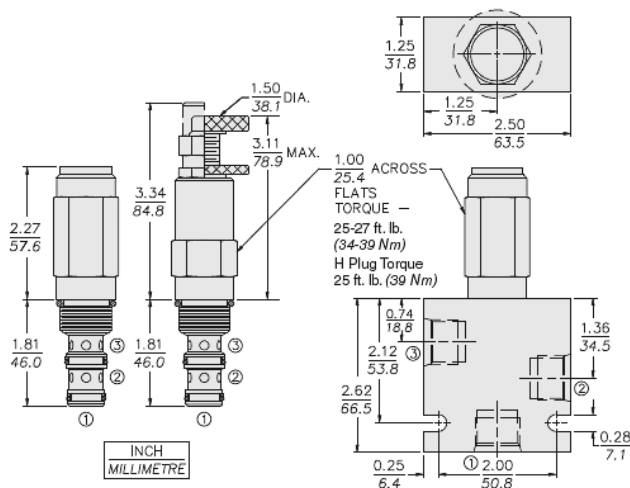
Accessories

Seal kit	SK10-3X-BM	- Note: X=seal option
Housings		

Performance



Dimensions



Materials

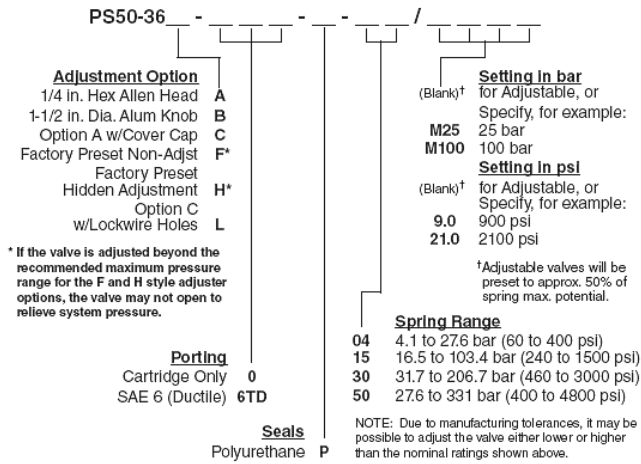
Materials

Cartridge: Steel with hardened work surfaces. Zinc-plated exposed surfaces. Polyurethane O-rings and polyester elastomer back-ups standard. Anodized aluminum knobs and caps.

Ported Body: Weight: 0.64 kg (1.41 lb) Ductile Iron (code "D") standard, consult factory for weight, dimensions may differ. Rated to 345 bar (5000 psi).



Order Code



POSITION	CODE	DESCRIPTION
		PS50-36F-H-J-R/S
F		Adjustment Option
F	A	1/4" Hex Allen Head
F	B	1-1/2" Diameter Aluminum Knob with Aluminum Lock Knob
F	C	1/4" Hex Allen Head with Cover Cap
F	F	Factory Preset Non-Adjustable
F	H	Factory Preset Hidden Adjustment
F	L	1/4" Hex Allen Head with Cover Cap and Lockwire Holes
H		Line Body
H	0	No Body
H	6T	Aluminum SAE 6
H	8T	Aluminum SAE 8
H	6TD	Ductile Iron SAE 6
H	8TD	Ductile Iron SAE 8
H	3B	Aluminum BSPP 3/8" (3)
H	3BD	Ductile Iron BSPP 3/8" (3)
J		Seal
J	N	Buna-N
J	V	Fluorocarbon
J	P	Polyurethane
R		Spring
R	04	4.1 to 27.6 bar (60 to 400 psi) Spring Range
R	15	16.5 to 103.4 bar (240 to 1500 psi) Spring Range
R	30	31.7 to 206.9 bar (460 to 3000 psi) Spring Range
R	50	58.6 to 344.7 bar (850 to 5000 psi) Spring Range
S		Setting
S	MXXX	Spring Setting in XXX bar
S	XX	Spring Setting in XX psi (x 100)