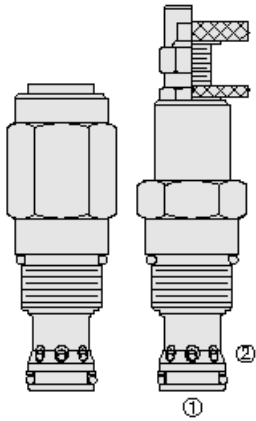




## Overview



### Description

RV52-26X is a screw in, cartridge style, pilot operated (two stage), spool type relief valve, intended for use as a pressure limiting device in demanding hydraulic circuits which require fast response and low hysteresis

### Operation

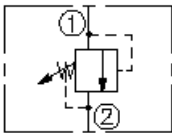
The RV52-26X blocks flow from port 1 to port 2 until sufficient pressure is present at port 1 to force the pilot relief off its seat, allowing the main stage to shift, opening port 1 to port 2

**note:** this valve cannot be used in cross-over relief applications

### Features

- Adjustments cannot be backed out of the valve.
- Adjustment options A, B and C: positive stops prevent springs from going solid.
- Hardened spool and cage for long life.
- Rapid, smooth response to pressure surges.
- Cost-effective cavity.

### Symbol



## Ratings

### Pressure Ratings

Pressure rating	344.7 bar (5000 psi)	- Note: Port 1
	103.4 bar (1500 psi)	- Note: Port 2
Proof pressure	689.5 bar (10000 psi)	
Burst pressure	1379.0 bar (20000 psi)	
Crack pressure defined	Pressure evident at 7.6 lpm (2 gpm)	
Relief pressure range	41.4 to 345 bar (600 to 5000 psi)	- Note: From zero to maximum control current

### Flow Ratings

Flow rating	189.3 lpm (50 gpm)	- Note: At max pressure
-------------	--------------------	-------------------------

### Temperature Ratings

Operating fluid temperature	-54 to 107 °C (-65 to 225 °F)	- Note: With polyurethane seals
Storage temperature	-40 to 70 °C (-40 to 160 °F)	
Ambient temperature	-40 to 70 °C (-40 to 160 °F)	

### Other Ratings

Corrosion protection	960 hr salt spray per ASTM b117 (grv52-26x)
----------------------	---

## Operating Parameters

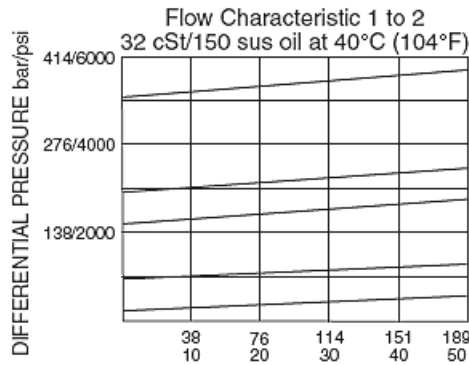
Fluids	Mineral based or synthetic with lubricating properties
Fluid viscosity range	7.4 to 420 cSt
Maximum operating contamination level	18/16/13 per ISO 4406

## Properties

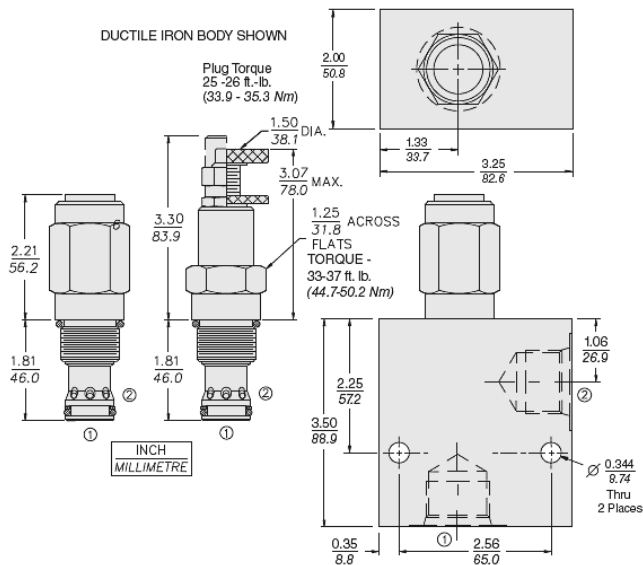
Unit weight	0.35 kg (0.78 lb)	- Note: "a"
	0.38 kg (0.83 lb)	- Note: "b"
	0.40 kg (0.88 lb)	- Note: "c l"
	0.40 kg (0.89 lb)	- Note: "f h"
Internal wetted surface area	209 cm <sup>2</sup> (32.4 in <sup>2</sup> )	
	221 cm <sup>2</sup> (34.3 in <sup>2</sup> )	



## Performance



## Dimensions



## Materials

### Materials

**Cartridge:** Weight: 0.35 to 0.40 kg (0.78 to 0.88 lb) depending on adjustment option. Steel with hardened work surfaces. Zinc-plated exposed surfaces. Polyurethane O-rings and back-up standard. Anodized aluminum knobs.

**Ported Body:** Weight: 1.81 kg (4.0 lb) Ductile Iron (code "D") standard, consult factory for weight, dimensions may differ. Rated to 345 bar (5000 psi);

**Adjustment Option Details:** See [adjustment options](#)

## Installation Specifications

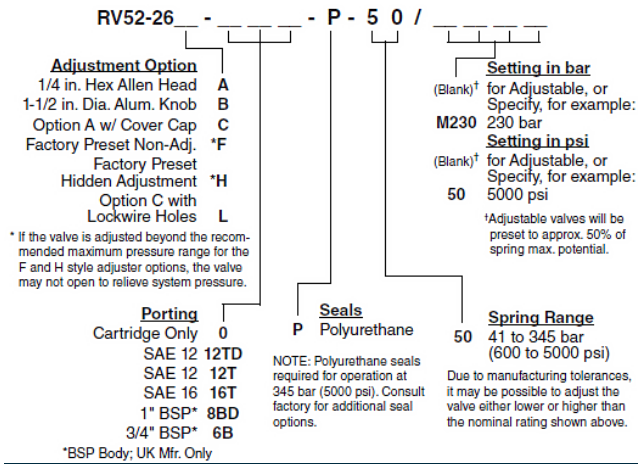
Cavity	VC12-2
Cartridge installation torque	44.7 to 50.2 N-m (33 to 37 ft-lb)
H style plug torque	33.9 to 35.3 N-m (25 to 26 ft-lb)
Orientation restriction	None

## Accessories

Seal kit	SK12-2P-B
Housings	



**Order Code**



POSITION	CODE	DESCRIPTION
		RV52-26F-H-J-R/S
F		Adjustment Option
F	A	1/4" Hex Allen Head
F	B	1-1/2" Diameter Aluminum Knob with Aluminum Lock Knob
F	C	1/4" Hex Allen Head with Cover Cap
F	F	Factory Preset Non-Adjustable
F	H	Factory Preset Hidden Adjustment
F	L	1/4" Hex Allen Head with Cover Cap and Lockwire Holes
H		Line Body
H	0	No Body
H	10T	Aluminum SAE 10
H	12T	Aluminum SAE 12
H	16T	Aluminum SAE 16
H	12TD	Ductile Iron SAE 12
H	16TD	Ductile Iron SAE 16
H	8B	Aluminum BSPP 1" (8)
H	8BD	Ductile Iron BSPP 1" (8)
J		Seal
J	N	Buna-N
J	V	Fluorocarbon
J	P	Polyurethane
R		Spring
R	50	83 to 344.7 bar (1200 to 5000 psi) Spring Range
S		Setting
S	MXXX	Spring Setting in XXX bar
S	XX	Spring Setting in XX psi (x 100)