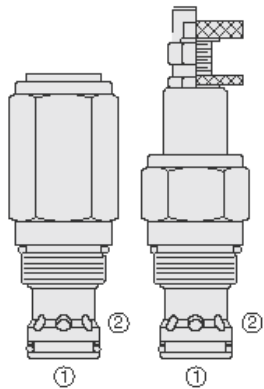




Overview



Description

RV56-26X is a screw in, cartridge style, pilot operated (two stage), spool type relief valve, intended for use as a pressure limiting device in demanding hydraulic circuits which require fast response and low hysteresis

Operation

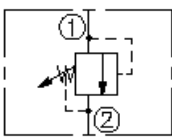
The RV56-26X blocks flow from port 1 to port 2 until sufficient pressure is present at port 1 to force the piloting relief off its seat, allowing the main (second stage) spool to shift, opening port 1 to port 2

note: this valve cannot be used in cross-over relief applications

Features

- Adjustments cannot be backed out of the valve.
- Adjustments prohibit springs from going solid.
- Hardened spool and cage for long life.
- Rapid, smooth response to pressure surges.

Symbol



Ratings

Pressure Ratings

Pressure rating	434.7 bar (6300 psi)
Proof pressure	620.5 bar (9000 psi)
Burst pressure	1379.0 bar (20000 psi)
Crack pressure defined	Pressure evident at 7.6 lpm (2 gpm)
Reseat pressure	Nominal 90% of crack
Relief pressure range	206.8 to 344.7 bar (3000 to 5000 psi)

Flow Ratings

Flow rating	378.5 lpm (100 gpm)	- Note: At max pressure
Maximum internal leakage	492 ml/min (30 in ³ /min)	- Note: At 85% of the pressure setting at 345 bar (5000 psi)

Temperature Ratings

Operating fluid temperature	-54 to 107 °C (-65 to 225 °F)	- Note: With polyurethane seals
Storage temperature	-40 to 70 °C (-40 to 160 °F)	
Ambient temperature	-40 to 70 °C (-40 to 160 °F)	

Operating Parameters

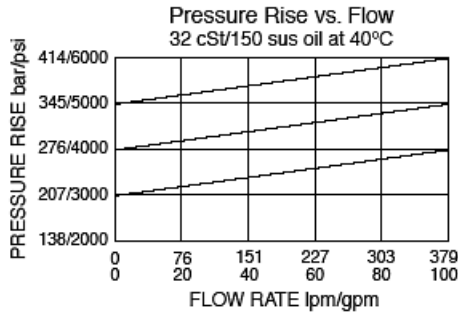
Fluids	Mineral based or synthetic with lubricating properties
Fluid viscosity range	7.4 to 420 cSt
Maximum operating contamination level	18/16/13 per ISO 4406

Properties

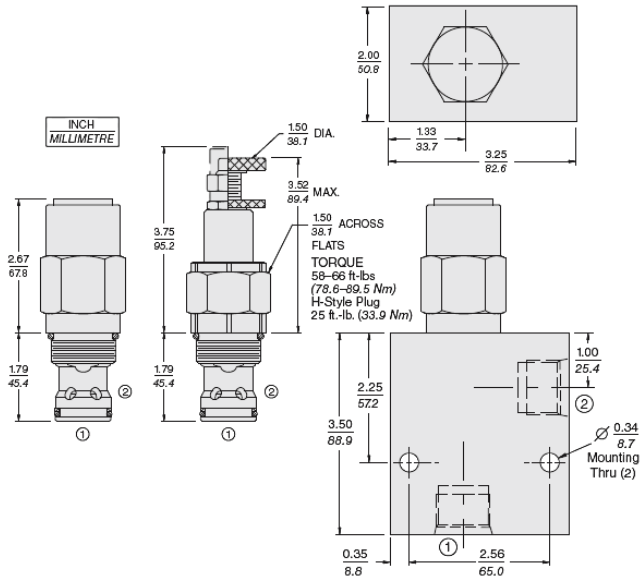
Unit weight	0.58 kg (1.28 lb)	- Note: A
	0.61 kg (1.34 lb)	- Note: B
	0.63 kg (1.38 lb)	- Note: C
	0.71 kg (1.56 lb)	- Note: F h
Internal wetted surface area	273 cm ² (42.3 in ²)	- Note: A b c
	308 cm ² (47.7 in ²)	- Note: F h



Performance



Dimensions



Materials

Materials

Cartridge: Weight: 0.56 to 0.63 kg (0.71 to 1.38 lb) depending on adjustment option. Steel with hardened work surfaces. Zinc-plated exposed surfaces. Polyurethane seals standard. Anodized aluminum knobs.

Standard Ported Body: Ductile iron body standard. Consult factory for weight.

Adjustment Option Details: See [adjustment options](#)

Installation Specifications

Cavity	VC16-2
Cartridge installation torque	78.6 to 89.5 N-m (58 to 66 ft-lb)
H style plug torque	33.9 N-m (25 ft-lb)
Orientation restriction	None

Accessories

Seal kit	SK16-2P-B
Housings	



Order Code

POSITION	CODE	DESCRIPTION
		RV56-26F-H-J-R/S
F		Adjustment Option
F	A	1/4" Hex Allen Head
F	B	1-1/2" Diameter Aluminum Knob with Aluminum Lock Knob
F	C	1/4" Hex Allen Head with Cover Cap
F	F	Factory Preset Non-Adjustable
F	H	Factory Preset Hidden Adjustment
F	L	1/4" Hex Allen Head with Cover Cap and Lockwire Holes
H		Line Body
H	0	No Body
H	12T	Aluminum SAE 12
H	16T	Aluminum SAE 16
H	12TD	Ductile Iron SAE 12
H	16TD	Ductile Iron SAE 16
H	6B	Aluminum BSPP 3/4" (6)
H	8B	Aluminum BSPP 1" (8)
H	8BD	Ductile Iron BSPP 1" (8)
J		Seal
J	N	Buna-N
J	V	Fluorocarbon
J	P	Polyurethane
R		Spring
R	50	206.8 to 344.7 bar (3000 to 5000 psi) Spring Range
S		Setting
S	MXXX	Spring Setting in XXX bar
S	XX	Spring Setting in XX psi (x 100)

