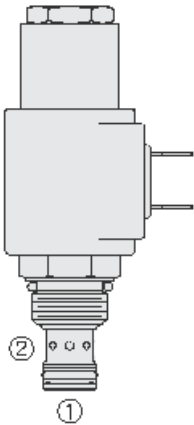




Overview



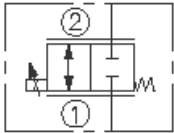
Description

A solenoid-operated, 2 port, normally closed, direct acting spool type proportional, screw in hydraulic cartridge valve designed to operate as a bi-directional metering valve. When de-energized, the sp08-24x blocks flow in both directions. When the valve is partially energized (see performance curve) the valve begins to throttle flow. When fully energized, the spool opens to allow bi-directional flow.

Features

- Industry-common cavity.
- Continuous-duty rated coils.
- Efficient wet-armature construction.
- Allow bi-directional flow when fully energized.
- Optional waterproof E-Coils rated up to IP69K.

Symbol



Ratings

Pressure Ratings

Pressure rating	207 bar (3000 psi)
Proof pressure	345 bar (5000 psi)
Burst pressure	552 bar (8000 psi)

Flow Ratings

Flow rating	See performance graphics on sheet 4	
Maximum internal leakage	10 in ³ /min	- Note: At 207 bar (3000 psi)
Hysteresis per cent	10 %	- Note: Maximum

Temperature Ratings

Operating fluid temperature	-40 to 100 °C (-40 to 212 °F)	- Note: With buna N seals
	-26 to 204 °C (-15 to 400 °F)	- Note: With viton seals
	-54 to 107 °C (-65 to 225 °F)	- Note: With polyurethane seals
Storage temperature	-40 to 70 °C (-40 to 160 °F)	
Ambient temperature	-40 to 70 °C (-40 to 160 °F)	

Operating Parameters

Fluids	Mineral based or synthetic hydraulic fluid with lubricating properties
Fluid viscosity range	7.4 to 420 cSt
Maximum operating contamination level	20/18/14 per ISO 4406

Properties

Unit weight	0.11 kg (0.25 lb)
Internal wetted surface area	111 cm ² (17.2 in ²)

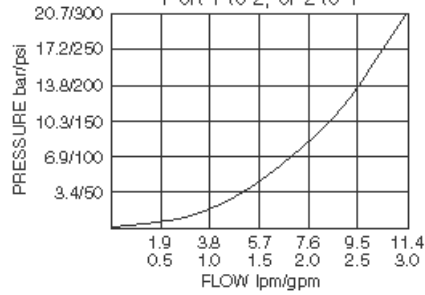
Electrical Parameters

Maximum control current	1000 mA	- Note: Coil 12 Vdc
Threshold current	400 mA	- Note: At 12 Vdc
Dither PWM frequency	70 Hz	- Note: Min

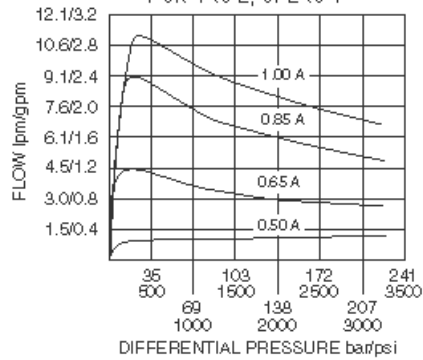


Performance

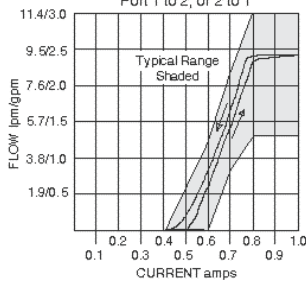
PRESSURE DROP vs. FLOW
Port 1 to 2, or 2 to 1



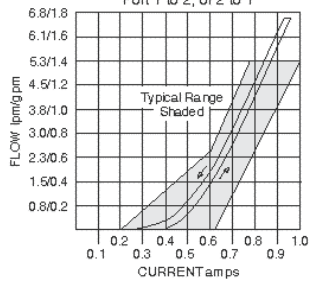
TYPICAL PRESSURE RESPONSE
Port 1 to 2, or 2 to 1



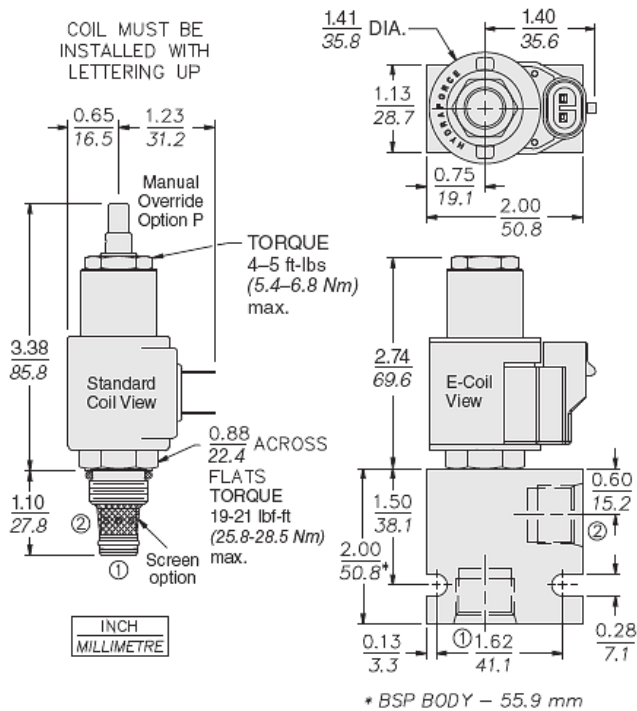
CURRENT RESPONSE
at 10.3 bar/150 psi; 12 VDC Coil
Port 1 to 2, or 2 to 1



CURRENT RESPONSE
at 207 bar/3000 psi; 12 VDC Coil
Port 1 to 2, or 2 to 1



Dimensions



Installation Specifications

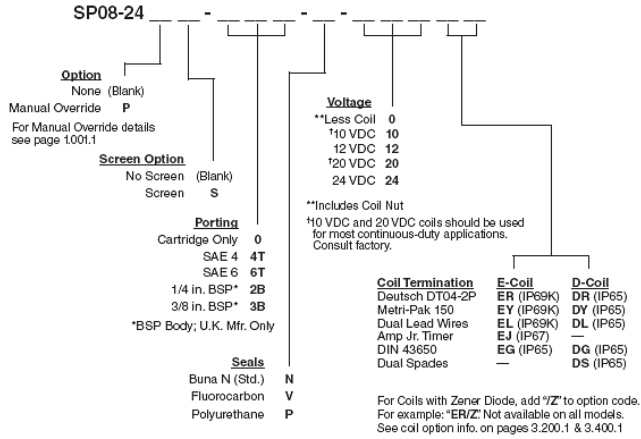
Cavity	VC08-2
Cartridge installation torque	25.8 to 28.5 N-m (19 to 21 ft-lb)
Coil nut torque	5.4 to 6.8 N-m (4 to 5 ft-lb)
Orientation restriction	None



Accessories

Seal kit SK08-2X-M - Note: X = seal option
Housings
Coils

Order Code



POSITION	CODE	DESCRIPTION
		SP08-24EG-H-J-L
E		Manual Override
E	BLANK	NONE
E	K	Momentary Push Override, Knob
E	P	Momentary Push Override, Button
G		Screen
G	BLANK	NONE
G	S	100 Mesh Screen
H		Line Body
H	0	No Body
H	4T	Aluminum SAE 4
H	6T	Aluminum SAE 6
H	8T	Aluminum SAE 8
H	6TD	Ductile Iron SAE 6
H	8TD	Ductile Iron SAE 8
H	2B	Aluminum BSPP 1/4" (2)
H	3B	Aluminum BSPP 3/8" (3)
H	3BD	Ductile Iron BSPP 3/8" (3)
J		Seal
J	N	Buna-N
J	V	Fluorocarbon
J	P	Polyurethane
J	U	PPDI Urethane
L		Coil
L	0	No Coil
L	10DL	10 VDC, D-Coil, Dual Lead Wires
L	10DS	10 VDC, D-Coil, Dual Spade
L	10EL	10 VDC, E-Coil, Dual Lead Wires, 18 inches long



POSITION	CODE	DESCRIPTION
L	10EL/36	10 VDC, E-Coil, Dual Lead Wires, 36 inches long
L	10ER	10 VDC, E-Coil, Deutsch
L	12DG	12 VDC, D-Coil, DIN 43650
L	12DL	12 VDC, D-Coil, Dual Lead Wires, 18 inches long
L	12DL/36	12 VDC, D-Coil, Dual Lead Wires, 36 inches long
L	12DL/W	12 VDC, D-Coil, Dual Lead Wires with Weatherpak
L	12DR	12 VDC, D-Coil, Deutsch
L	12DS	12 VDC, D-Coil, Dual Spade
L	12EG	12 VDC, E-Coil, DIN 43650
L	12EJ	12 VDC, E-Coil, AMP Jr.
L	12EL	12 VDC, E-Coil, Dual Lead Wires, 18 inches long
L	12EL/36	12 VDC, E-Coil, Dual Lead Wires, 36 inches long
L	12ER	12 VDC, E-Coil, Deutsch
L	12EY	12 VDC, E-Coil, Metri-Pack 150
L	20DG	20 VDC, D-Coil, DIN 43650
L	20DS	20 VDC, D-Coil, Dual Spade
L	20ER	20 VDC, E-Coil, Deutsch
L	24AG	24 VDC, D-Coil, DIN 43650
L	24AP	24 VDC, D-Coil, 1/2" Conduit and Dual Lead Wires
L	24DG	24 VDC, D-Coil, DIN 43650
L	24DL	24 VDC, D-Coil, Dual Lead Wires, 18 inches long
L	24DL/36	24 VDC, D-Coil, Dual Lead Wires, 36 inches long
L	24DL/W	24 VDC, D-Coil, Dual Lead Wires with Weatherpak
L	24DR	24 VDC, D-Coil, Deutsch
L	24DS	24 VDC, D-Coil, Dual Spade
L	24EG	24 VDC, E-Coil, DIN 43650
L	24EJ	24 VDC, E-Coil, AMP Jr.
L	24ER	24 VDC, E-Coil, Deutsch
L	24EY	24 VDC, E-Coil, Metri-Pack 150
L	36DG	36 VDC, D-Coil, DIN 43650
L	36DS	36 VDC, D-Coil, Dual Spade