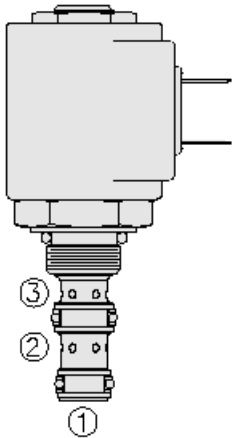




Overview



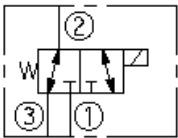
Description

The SV07-35 is a solenoid operated, two position, three way, direct acting spool valve. It is intended for use in mineral based or synthetic (with lubrication properties) hydraulic fluids

Features

- Continuous-duty rated coil.
- Hardened precision spool and cage for long life.
- Optional coil voltages and terminations.
- Efficient wet-armature construction.
- Cartridges are voltage interchangeable.
- All ports may be fully pressurized.
- Unitized, molded coil design.
- Optional waterproof coils rated up to IP69K.
- Compact size.

Symbol



Ratings

Flow Ratings

Flow rating	See performance charts	
Maximum internal leakage	81.84 ml/min (5 in ³ /min)	- Note: At maximum per NFPA/T 3.5. 15m-1986 207 bar (3000 psi)

Pressure Ratings

Maximum recommended pressure drop	See performance charts
Pressure rating	207 bar (3000 psi)

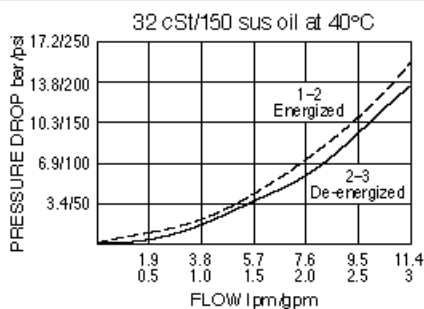
Other Ratings

Response	22 ms	- Note: Pull-in (first indication of shift with nominal voltage)
	24 ms	- Note: Drop-out (first indication of shift with nominal voltage)

Operating Parameters

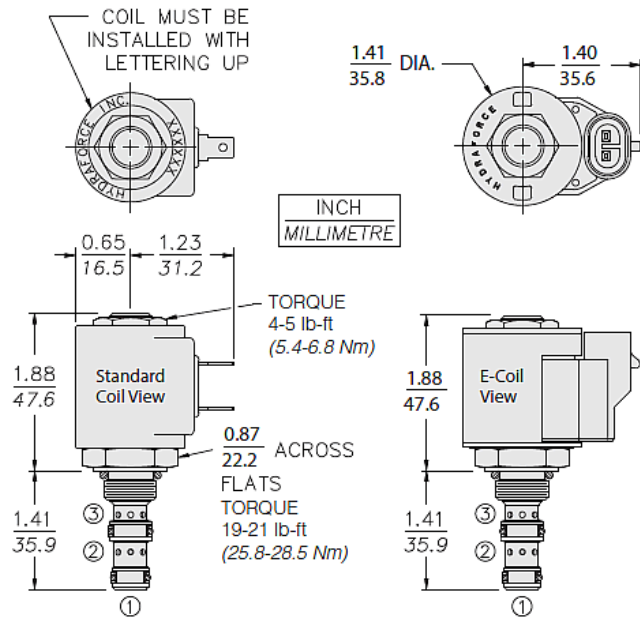
Fluid viscosity range	32 cSt (150 SUS)	- Note: At 40 °C (100 °F)
-----------------------	------------------	----------------------------------

Performance





Dimensions



Materials

Materials

Cartridge: Weight: 0.0 kg (0.2 lb); Steel with hardened work surfaces. Zinc-plated exposed surfaces; Bun N rings and back-ups standard.

Standard D-Coil: Weight each: 0.11 kg (0.25 lb); Unitized thermoplastic encapsulated, Class H high temperature magnet wire.

E-Coil: Weight: 0.14 kg (0.3 lb); Perfect wound, fully encapsulated with rugged external metal shell; Rated up to IP69K with integral connectors.

Installation Specifications

Cavity	
Cartridge installation torque	27.1 N-m (20 ft-lb)
Coil nut torque	6.8 N-m (5 ft-lb)

Order Code

POSITION	CODE	DESCRIPTION
		SV07-35-H-J-L
H		Line Body
H	0	No Body
J		Seal
J	N	Buna-N
J	V	Fluorocarbon
J	P	Polyurethane
J	U	PPDI Urethane
L		Coil
L	0	No Coil
L	10DL	10 VDC, D-Coil, Dual Lead Wires
L	10DR/D	10 VDC, D-Coil, Deutsch with Diode
L	10DS	10 VDC, D-Coil, Dual Spade
L	10EL	10 VDC, E-Coil, Dual Lead Wires, 18 inches long
L	10EL/36	10 VDC, E-Coil, Dual Lead Wires, 36 inches long
L	10ER	10 VDC, E-Coil, Deutsch



POSITION	CODE	DESCRIPTION
L	10ER/Z	10 VDC, E-Coil, Deutsch with Zener Diode
L	12DG	12 VDC, D-Coil, DIN 43650
L	12DL	12 VDC, D-Coil, Dual Lead Wires, 18 inches long
L	12DL/36	12 VDC, D-Coil, Dual Lead Wires, 36 inches long
L	12DL/W	12 VDC, D-Coil, Dual Lead Wires with Weatherpak
L	12DL/W/D	12 VDC, D-Coil, Dual Lead Wires with Weatherpak with Diode
L	12DR	12 VDC, D-Coil, Deutsch
L	12DR/D	12 VDC, D-Coil, Deutsch with Diode
L	12DR/Z	12 VDC, D-Coil, Deutsch with Zener Diode
L	12DS	12 VDC, D-Coil, Dual Spade
L	12EG	12 VDC, E-Coil, DIN 43650
L	12EG/Z	12 VDC, E-Coil, DIN 43650 with Zener Diode
L	12EJ	12 VDC, E-Coil, AMP Jr.
L	12EJ/Z	12 VDC, E-Coil, AMP Jr. with Zener Diode
L	12EL	12 VDC, E-Coil, Dual Lead Wires, 18 inches long
L	12EL/36	12 VDC, E-Coil, Dual Lead Wires, 36 inches long
L	12EL/Z	12 VDC, E-Coil, Dual Lead Wires with Zener Diode
L	12ER	12 VDC, E-Coil, Deutsch
L	12ER/Z	12 VDC, E-Coil, Deutsch with Zener Diode
L	12EY	12 VDC, E-Coil, Metri-Pack 150
L	12EY/Z	12 VDC, E-Coil, Metri-Pack 150 with Zener Diode
L	20DG	20 VDC, D-Coil, DIN 43650
L	20DS	20 VDC, D-Coil, Dual Spade
L	20ER	20 VDC, E-Coil, Deutsch
L	20ER/Z	20 VDC, E-Coil, Deutsch with Zener Diode
L	24AG	24 VDC, D-Coil, DIN 43650
L	24AP	24 VDC, D-Coil, 1/2" Conduit and Dual Lead Wires
L	24DG	24 VDC, D-Coil, DIN 43650
L	24DL	24 VDC, D-Coil, Dual Lead Wires, 18 inches long
L	24DL/36	24 VDC, D-Coil, Dual Lead Wires, 36 inches long
L	24DL/W	24 VDC, D-Coil, Dual Lead Wires with Weatherpak
L	24DR	24 VDC, D-Coil, Deutsch
L	24DR/D	24 VDC, D-Coil, Deutsch with Diode
L	24DR/Z	24 VDC, D-Coil, Deutsch with Zener Diode
L	24DS	24 VDC, D-Coil, Dual Spade
L	24EG	24 VDC, E-Coil, DIN 43650
L	24EG/Z	24 VDC, E-Coil, DIN 43650 with Zener Diode
L	24EJ	24 VDC, E-Coil, AMP Jr.
L	24EL/D	24 VDC, E-Coil, Dual Lead Wires with Diode
L	24ER	24 VDC, E-Coil, Deutsch
L	24ER/Z	24 VDC, E-Coil, Deutsch with Zener Diode
L	24EY	24 VDC, E-Coil, Metri-Pack 150
L	24EY/Z	24 VDC, E-Coil, Metri-Pack 150 with Zener Diode



POSITION	CODE	DESCRIPTION
L	36DG	36 VDC, D-Coil, DIN 43650
L	36DS	36 VDC, D-Coil, Dual Spade
L	115AG	115 VAC, D-Coil, DIN 43650
L	115AP	115 VAC, D-Coil, 1/2" Conduit and Dual Lead Wires
L	230AG	230 VAC, D-Coil, DIN 43650
L	230AP	230 VAC, D-Coil, 1/2" Conduit and Dual Lead Wires

